

VITA 67 Mini SMP Male to 1.85mm Cable
FM-P047HF Coax in 24 Inch



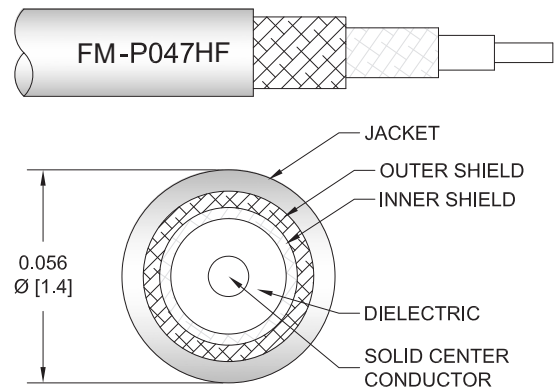
FMCA9725-24

Configuration

- Connector 1: Mini SMP Male
- Connector 2: 1.85mm
- Cable Type: FM-P047HF
- Coax Cable Group: 2
- Coax Flex Type: Flexible

Features

- Max Frequency 40 GHz
- Shielding Effectivity > 90 dB
- 70% Phase Velocity
- Standard MIL-STD-348 SMPM interface
- Push-on/snap-on mating style for quick installation
- Mini SMP (SMPM) Female compatible with VITA 67 (4-port) and (8-port) blocks
- Mini SMP (SMPM) Male Compatible with VITA 67 (4-port) and (8-port) blocks



Applications

- General Purpose
- Laboratory Use
- Scientific research
- High-reliability, high-density for aerospace & defense application
- Ground base station & communication systems, avionics, radar systems

Description

The Mini SMP male to 1.85mm 24 inch cable using FM-P047HF coax, part number FMCA9725-24, from Fairview Microwave is in-stock and ships same day. This Fairview Mini SMP to 1.85mm cable assembly has a male to gender configuration with 50 ohm flexible coax. Fairview Microwave's VITA 67 assemblies are high-density, high-performance, fixed-length RF cable assemblies that fit into VITA 67 blocks and attach to the PCB board which makes it ideal for applications where tight bends and flexure is required. The FMCA9725-24 Mini SMP male to 1.85mm cable assembly operates to 40 GHz.

Custom versions of most RF cable assemblies can be built and shipped same day. Custom cable assembly lengths can be obtained by specifying the desired length on the web site at time of order or by contacting a sales representative. Other RF cable assembly value added services including connector orientation or clocking, heat shrink booting and labeling are also available. RF testing can also be performed to document the electrical performance of your cable assembly.

Electrical Specifications

Description	Minimum	Typical	Maximum	Units
Frequency Range	DC		40	GHz
VSWR			1.18:1	
Velocity of Propagation		70		%
RF Shielding	90			dB

VITA 67 Mini SMP Male to 1.85mm Cable
FM-P047HF Coax in 24 Inch



FMCA9725-24

Electrical Specifications

Description	Minimum	Typical	Maximum	Units
Capacitance		29 [95.14]		pF/ft [pF/m]

Specifications by Frequency

Description	F1	F2	F3	F4	F5	Units
Frequency	2.5	5	10	20	40	GHz
Insertion Loss (Typ.)	1.28	1.78	2.54	3.71	5.57	dB

Electrical Specification Notes:
Values at 25°C, sea level.

Mechanical Specifications

Cable Assembly

Length 24 in [609.6 mm]
Weight 0.29 lbs [131.54 g]

Cable

Cable Type FM-P047HF
Impedance 50 Ohms
Inner Conductor Type Solid
Inner Conductor Material and Plating Copper, Silver
Dielectric Type FEP
Shield Layer 1 Silver Plated Copper Tape

Connectors

Description	Connector 1	Connector 2
Type	Mini SMP Male	1.85mm
Impedance	50 Ohms	50 Ohms
Configuration	Straight	Straight
Contact Material and Plating	Beryllium Copper, Gold	Beryllium Copper, Gold over Nickel
Contact Plating Specification	ASTM B488	50 µin minimum
Body Material and Plating	Brass, Gold	Beryllium Copper, Gold over Nickel
Body Plating Specification	ASTM B488	50 µin minimum

Environmental Specifications

Compliance Certifications (see [product page](#) for current document)

Plotted and Other Data

Notes:

VITA 67 Mini SMP Male to 1.85mm Cable
FM-P047HF Coax in 24 Inch



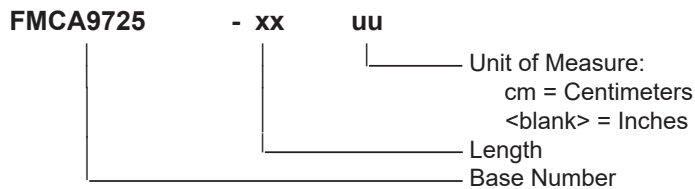
FMCA9725-24

Values at 25°C, sea level.

Typical Performance Data

How to Order

Part Number Configuration:



Example: FMCA9725-12 = 12 inches long cable
FMCA9725-100cm = 100 cm long cable

VITA 67 Mini SMP Male to 1.85mm Cable FM-P047HF Coax in 24 Inch from Fairview Microwave is in-stock and available to ship same-day. All of our RF/microwave products are available off-the-shelf from our ISO 9001:2008 certified facilities in Lewisville, Texas. Fairview Microwave is RF on-demand.

For additional information on this product, please click the following link: [VITA 67 Mini SMP Male to 1.85mm Cable FM-P047HF Coax in 24 Inch FMCA9725-24](#)

URL: <https://www.fairviewmicrowave.com/vita-67-mini-smp-male-to-1.85mm-cable-fm-p047hf-coax-in-24-inch-fm-ca9725-24-p.aspx>

The information contained within this document is accurate to the best of our knowledge and representative of the part described herein. It may be necessary to make modifications to the part and/or the documentation of the part in order to implement improvements. Fairview Microwave reserves the right to make such changes as required. Unless otherwise stated, all specifications are nominal. Fairview Microwave does not make any representation or warranty regarding the suitability of the part described herein for any particular purpose, and Fairview Microwave does not assume liability arising out of the use of any part or document.

FMCA9725-24 CAD Drawing

VITA 67 Mini SMP Male to 1.85mm Cable FM-P047HF Coax in 24 Inch

