

Push-On 4.3-10 Male to 4.3-10 Female 4 Hole Flange Cable RG402 Type .141 Coax in 100 CM

The 4.3-10 male push-on to 4.3-10 female 4 hole flange 100 cm cable using Tinned Copper RG402 type .141 coax, part number FMCA2891-100CM, from Fairview Microwave is in-stock and ships same day. This Fairview 4.3-10 to 4.3-10 cable assembly has a male to female gender configuration with 50 ohm semi-rigid FM-SR141CUTN-STR coax. Fairview Microwave's semi-rigid RF cable assemblies are ideal for high performance applications and can be formed, using proper tooling, to the routing pattern required. The FMCA2891-100CM 4.3-10 male to 4.3-10 female cable assembly operates to 6 GHz. Our RF cable assembly with 4.3-10 4 hole flange interface allows designers to create external connections on their product enclosures, and can be used in a variety of other rack mount and panel mount applications.

Custom versions of most RF cable assemblies can be built and shipped same day. Custom cable assembly lengths can be obtained by specifying the desired length on the web site at time of order or by contacting a sales representative. Other RF cable assembly value added services including connector orientation or clocking, heat shrink booting and labeling are also available. RF testing can also be performed to document the electrical performance of your cable assembly.

Electrical Specifications

Description	Min	Typ	Max	Units
Frequency Range	DC		6	GHz
VSWR			1.5:1	
Velocity of Propagation		69.5		%

Performance by Frequency

Description	F1	F2	F3	F4	F5	Units
Frequency	1	2.5	6			GHz
Insertion Loss (Typ.)	0.6	0.78	1.68			dB

Electrical Specification Notes:

The Insertion Loss data above is based on the performance specifications of the coax and connectors used in this assembly. The Insertion Loss includes an estimated insertion loss of 0.1 dB per connector.

Mechanical Specifications

Cable Assembly

Length*	39.37 in [100 cm]
Weight	0.246 lbs [111.58 g]

Cable

Cable Type	FM-SR141CUTN-STR
Impedance	50 Ohms
Inner Conductor Type	Solid
Inner Conductor Material and Plating	Copper Clad Steel, Silver
Dielectric Type	PTFE
Outer Conductor Material and Plating	Tinned Copper

One Time Minimum Bend Radius	1 in [25.4 mm]
------------------------------	----------------



Configuration:

- Push-On 4.3-10 Male
- 4.3-10 Female 4 Hole Flange
- FM-SR141CUTN-STR

Features:

- Max Frequency 6 GHz
- 69.5% Phase Velocity
- 100 Mating Cycles

Applications:

- General Purpose
- Laboratory Use

Fairview Microwave
 301 Leora Ln., Suite 100
 Lewisville, TX 75056
 Tel: 1-800-715-4396 / (972) 649-6678
 Fax: (972) 649-6689
www.fairviewmicrowave.com
sales@fairviewmicrowave.com

Connectors

Description	Connector 1	Connector 2
Type	4.3-10 Male	4.3-10 Female
Mount Method		4 Hole Flange
Impedance	50 Ohms	50 Ohms
Connection Method	Push-On	
Mating Cycles	100	100
Contact Material & Plating	Brass, Silver	Brass, Silver
Dielectric Type	PTFE	PTFE
Outer Cond Material & Plating		Brass, Tri-Metal
Body Material & Plating	Brass, Tri-Metal	Brass, Tri-Metal
Coupling Nut Material & Plating	Brass, Tri-Metal	

Environmental Specifications
Temperature

Operating Range -55 to +90 deg C

Compliance Certifications (see [product page](#) for current document)

Plotted and Other Data

Notes:

How to Order

Part Number Configuration: **FMCA2891 - xx uu**

cm = Centimeters
<blank> = Inches
Length

Example: FMCA2891-12 = 12 inches long cable
FMCA2891-100cm = 100 cm long cable

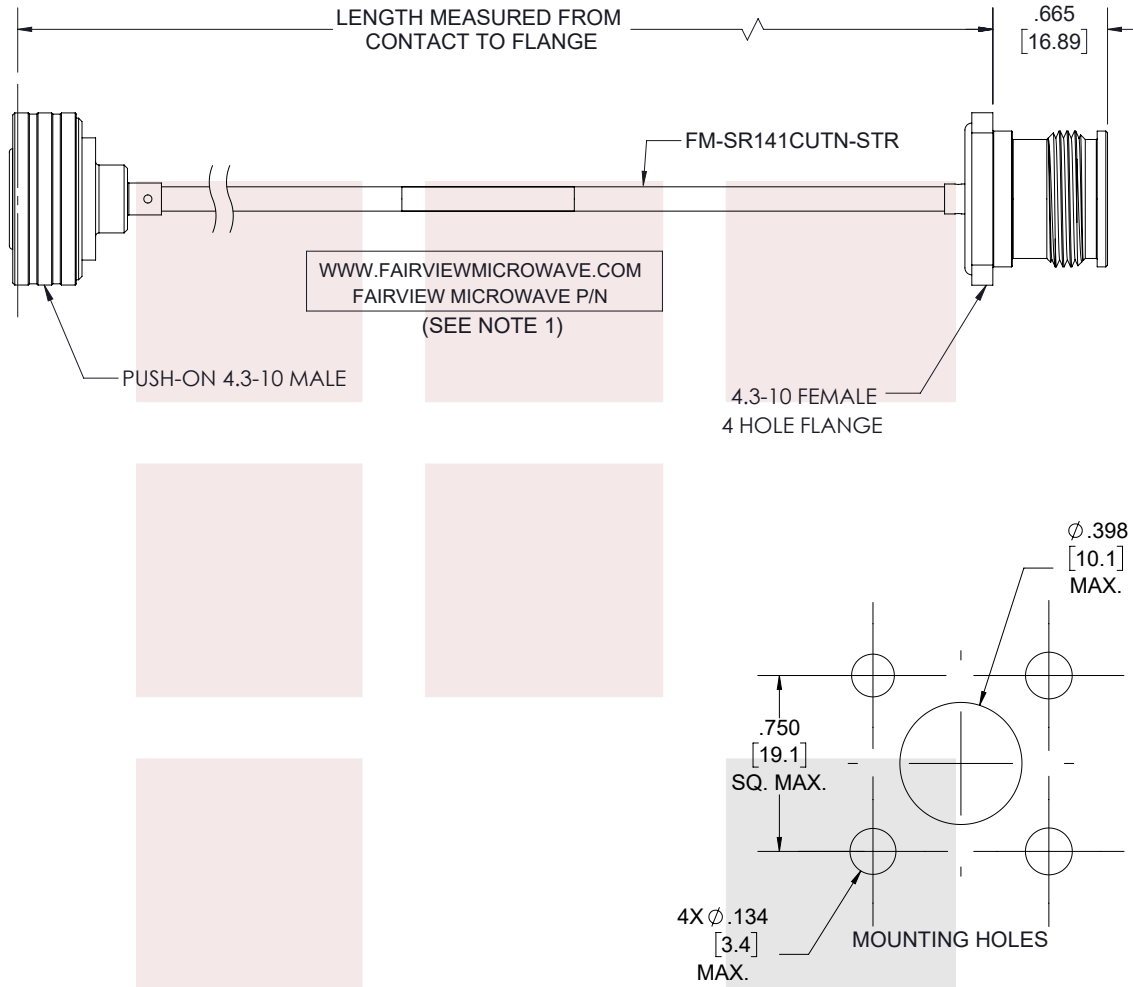
Push-On 4.3-10 Male to 4.3-10 Female 4 Hole Flange Cable RG402 Type .141 Coax in 100 CM from Fairview Microwave has same day shipment for domestic and International orders. Our RF, microwave and millimeter wave products maintain a 99% availability and are part of the broadest selection in the industry.

Click the following link to obtain additional part information: [Push-On 4.3-10 Male to 4.3-10 Female 4 Hole Flange Cable RG402 Type .141 Coax in 100 CM FMCA2891-100CM](#)

URL: <https://www.fairviewmicrowave.com/push-on-4.3-10-male-to-4.3-10-female-4-hole-flange-cable-rg402-type-.141-coax-fmca2891-100cm-p.aspx>

The information contained in this document is accurate to the best of our knowledge and representative of the part described herein. It may be necessary to make modifications to the part and/or the documentation of the part, in order to implement improvements. Fairview Microwave reserves the right to make such changes as required. Unless otherwise stated, all specifications are nominal. Fairview Microwave does not make any representation or warranty regarding the suitability of the part described herein for any particular purpose, and Fairview Microwave does not assume any liability arising out of the use of any part or documentation.

REVISIONS			
REV.	DESCRIPTION	DATE	APPROVED
A	INITIAL RELEASE	07/22/2022	AGANWANI



NOTES:

- CABLES 36" AND UNDER HAVE 1 LABEL CENTERED.
CABLES OVER 36" HAVE 2 LABELS, ONE AT EACH END
6.0" FROM THE FRONT OF THE CONNECTOR.

THESE COMMODITIES, TECHNOLOGY OR SOFTWARE WERE EXPORTED FROM THE UNITED STATES IN ACCORDANCE WITH THE EXPORT ADMINISTRATION REGULATIONS. DIVERSION CONTRARY TO U.S. LAW PROHIBITED.

<p>Fairview Microwave an INFINIT[®] brand</p>	<p>UNLESS OTHERWISE SPECIFIED LEADING DIMENSIONS ARE INCHES DIMENSIONS IN [] ARE MILLIMETERS</p> <p>TOLERANCES: CABLE LENGTH (L) TOLERANCES:</p> <table border="0"> <tr> <td>.X = ±.2 [5.08]</td> <td>FRACTIONS</td> <td>L ≤ 12 [305] = +1 [25] / -0</td> </tr> <tr> <td>.XX = ±.02 [.51]</td> <td>± 1/32</td> <td>12 [305] < L ≤ 60 [1524] = +2 [51] / -0</td> </tr> <tr> <td>.XXX = ±.005 [.13]</td> <td>ANGLES ± 1°</td> <td>60 [1524] < L ≤ 120 [3048] = +4 [102] / -0</td> </tr> <tr> <td></td> <td></td> <td>120 [3048] < L ≤ 300 [7620] = +6 [152] / -0</td> </tr> <tr> <td></td> <td></td> <td>300 [7620] < L = +5%L / -0</td> </tr> </table>		.X = ±.2 [5.08]	FRACTIONS	L ≤ 12 [305] = +1 [25] / -0	.XX = ±.02 [.51]	± 1/32	12 [305] < L ≤ 60 [1524] = +2 [51] / -0	.XXX = ±.005 [.13]	ANGLES ± 1°	60 [1524] < L ≤ 120 [3048] = +4 [102] / -0			120 [3048] < L ≤ 300 [7620] = +6 [152] / -0			300 [7620] < L = +5%L / -0	<p>THIRD-ANGLE PROJECTION</p> <p>THE INFORMATION AND DESIGN IN THIS DOCUMENT IS THE PROPERTY OF FAIRVIEW MICROWAVE CORPORATION. ALL RIGHTS RESERVED.</p>
	.X = ±.2 [5.08]	FRACTIONS	L ≤ 12 [305] = +1 [25] / -0															
.XX = ±.02 [.51]	± 1/32	12 [305] < L ≤ 60 [1524] = +2 [51] / -0																
.XXX = ±.005 [.13]	ANGLES ± 1°	60 [1524] < L ≤ 120 [3048] = +4 [102] / -0																
		120 [3048] < L ≤ 300 [7620] = +6 [152] / -0																
		300 [7620] < L = +5%L / -0																
<p>TITLE</p> <p>Push-On 4.3-10 Male to 4.3-10 Female 4 Hole Flange Cable RG402 Type .141 Coax in 100 CM</p>	<p>ALL DIMENSIONS SHOWN ARE FOR REFERENCE ONLY.</p>	<p>SHEET 1 OF 1</p> <p>SCALE N/A</p>																
<p>SIZE A</p>	<p>CAGE CODE 3FKR5</p>	<p>DRAWN BY PSRINIVAS</p>	<p>ITEM NO. FMCA2891</p>															
			<p>REV A</p>															

T-Rev.D