

## Plenum Low PIM 7/16 DIN Female to N Female Cable SPP-375-LLPL Coax Using Times Microwave Parts

The 7/16 DIN female to type N female 100 cm cable using SPP-375-LLPL coax, part number FMCA2573-100CM, from Fairview Microwave is in-stock and ships same day. This Fairview 7/16 DIN to type N cable assembly has a female to female gender configuration with 50 ohm corrugated SPP-375-LLPL coax. Fairview Microwave's corrugated RF cable assemblies are ideal for applications where durability and high power are needed. Our low PIM design offers excellent passive intermodulation performance with PIM levels better than -160 dBc. The FMCA2573-100CM 7/16 DIN female to type N female cable assembly operates to 5.8 GHz.

Custom versions of most RF cable assemblies can be built and shipped same day. Custom cable assembly lengths can be obtained by specifying the desired length on the web site at time of order or by contacting a sales representative. Other RF cable assembly value added services including connector orientation or clocking, heat shrink booting and labeling are also available. RF testing can also be performed to document the electrical performance of your cable assembly.

### Electrical Specifications

Description	Min	Typ	Max	Units
Frequency Range	DC		5.8	GHz
VSWR			1.4:1	
Velocity of Propagation		76		%
RF Shielding	100			dB
Passive Intermodulation			-160	dBc
Capacitance		26.2 [85.96]		pF/ft [pF/m]
Inductance		0.067 [0.22]		uH/ft [uH/m]
DC Resistance Inner Conductor		1.3 [4.27]		$\Omega/1000ft$ [ $\Omega/Km$ ]

### Performance by Frequency

Description	F1	F2	F3	F4	F5	Units
Frequency	0.25	0.5	1	2.5	5.8	GHz
Insertion Loss (Typ.)	0.17	0.24	0.33	0.53	0.82	dB

#### Electrical Specification Notes:

The Insertion Loss data above is based on the performance specifications of the coax and connectors used in this assembly. The Insertion Loss includes an estimated insertion loss of  $0.1 * \sqrt{F}$  (GHz) dB per connector.

### Mechanical Specifications

#### Cable Assembly

Length\* 39.37 in [100 cm]  
Weight 0.3035 lbs [137.67 g]

#### Cable

Cable Type SPP-375-LLPL  
Impedance 50 Ohms  
Inner Conductor Type Solid



### Configuration:

- 7/16 DIN Female
- N Female
- SPP-375-LLPL

### Features:

- Max Frequency 5.8 GHz
- Low PIM: -160 dBc Max
- Shielding Effectivity > 100 dB
- 76% Phase Velocity
- FEP Jacket
- 100% Tested with PIM Test Results Marked on Cable
- UL910 Plenum Rated Cable
- Lightweight and Extremely Flexible
- Low Loss with Excellent VSWR
- IP67 (when mated)
- Using Times Microwave Components

### Applications:

- General Purpose
- Laboratory Use
- Low PIM Applications
- CMP Plenum Rated Installations
- Distributed Antenna Systems (DAS)
- Multi-Carrier Communication Systems
- PIM Testing

Fairview Microwave  
301 Leora Ln., Suite 100  
Lewisville, TX 75056  
Tel: 1-800-715-4396 / (972) 649-6678  
Fax: (972) 649-6689  
[www.fairviewmicrowave.com](http://www.fairviewmicrowave.com)  
[sales@fairviewmicrowave.com](mailto:sales@fairviewmicrowave.com)

Inner Conductor Material and Plating	Copper Clad Aluminum
Dielectric Type	Microporous PTFE
Number of Shields	1
Outer Conductor Material and Plating	Copper
Jacket Material	FEP, Blue
Jacket Diameter	0.402 in [10.21 mm]
One Time Minimum Bend Radius	1.25 in [31.75 mm]
Bending Moment	1.7 lbs-ft [2.31 N-m]

### Connectors

Description	Connector 1	Connector 2
Type	7/16 DIN Female	N Female
Impedance	50 Ohms	50 Ohms
Mating Cycles	500	
Contact Material & Plating	Phosphor Bronze, Silver	Brass, Silver
Contact Plating Spec.	200 µin	196 µin
Dielectric Type	PTFE	PTFE
Outer Cond Material & Plating		Brass, Tri-Metal
Outer Cond Plating Spec.		118 µin
Body Material & Plating	Brass, Tri-Metal	
Body Plating Spec.	100 µin	
Coupling Nut Material & Plating		Brass, Tri-Metal
Coupling Nut Plating Spec.		118 µin
Torque		6 in-lbs 0.68 Nm

### Environmental Specifications

#### Temperature

Operating Range -40 to +125 deg C

**Compliance Certifications** (see [product page](#) for current document)

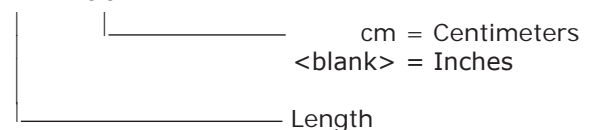
### Plotted and Other Data

Notes:

### How to Order

Part Number Configuration:

**FMCA2573 - xx uu**



Example: FMCA2573-12 = 12 inches long cable  
FMCA2573-100cm = 100 cm long cable

Plenum Low PIM 7/16 DIN Female to N Female Cable SPP-375-LLPL Coax Using Times Microwave Parts from Fairview Microwave has same day shipment for domestic and International orders. Our RF, microwave and millimeter wave products maintain a 99% availability and are part of the broadest selection in the industry.

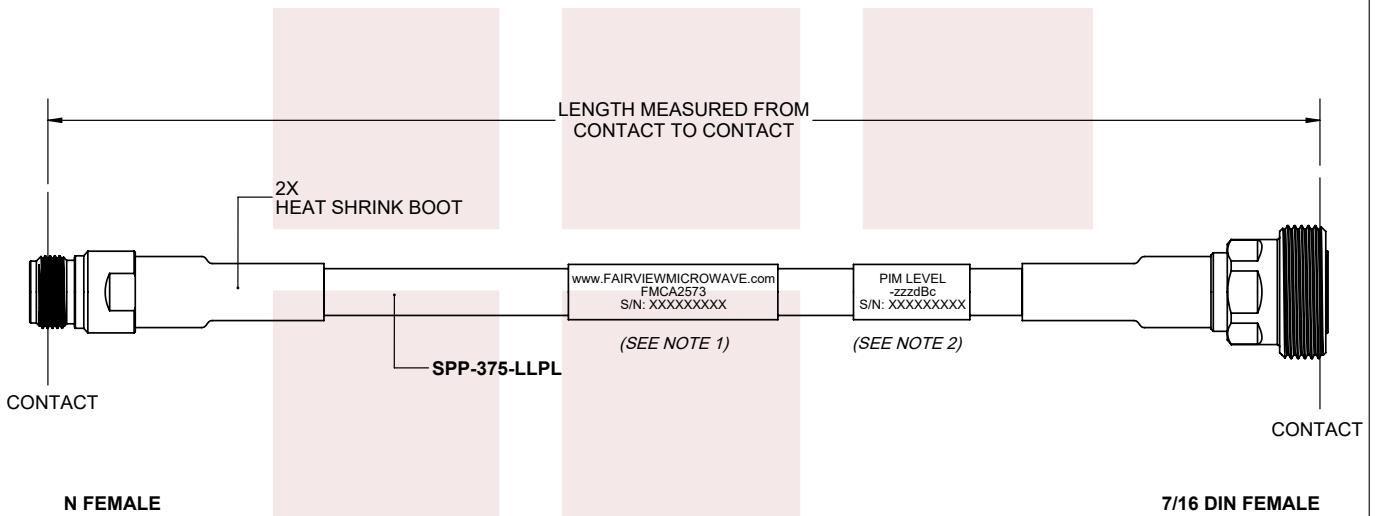
Click the following link to obtain additional part information: [Plenum Low PIM 7/16 DIN Female to N Female Cable SPP-375-LLPL Coax Using Times Microwave Parts FMCA2573-100CM](#)

URL: <https://www.fairviewmicrowave.com/plenum-low-pim-7-16-din-female-to-n-female-cable-spp-375-llpl-coax-using-times-microwave-parts-fmca2573-100cm-p.aspx>

The information contained in this document is accurate to the best of our knowledge and representative of the part described herein. It may be necessary to make modifications to the part and/or the documentation of the part, in order to implement improvements. Fairview Microwave reserves the right to make such changes as required. Unless otherwise stated, all specifications are nominal. Fairview Microwave does not make any representation or warranty regarding the suitability of the part described herein for any particular purpose, and Fairview Microwave does not assume any liability arising out of the use of any part or documentation.



REVISIONS			
REV.	DESCRIPTION	DATE	APPROVED
A	INITIAL RELEASE	9/21/2021	A. GANWANI



**NOTES:**

1. CABLES 84" AND UNDER HAVE 1 LABEL CENTERED. CABLES OVER 84" HAVE 2 LABELS, ONE AT EACH END 12.0" FROM THE END OF THE CONNECTOR.
2. 6" FROM CABLE END 1 PLACE FOR ALL LENGTHS OF CABLE.

THESE COMMODITIES, TECHNOLOGY OR SOFTWARE WERE EXPORTED FROM THE UNITED STATES IN ACCORDANCE WITH THE EXPORT ADMINISTRATION REGULATIONS. DIVERSION CONTRARY TO U.S. LAW PROHIBITED.

<p><b>Fairview Microwave</b> an INFINIT<sup>®</sup> brand</p>	<p>UNLESS OTHERWISE SPECIFIED LEADING DIMENSIONS ARE INCHES DIMENSIONS IN [ ] ARE MILLIMETERS</p>		<p>THIRD-ANGLE PROJECTION</p>	
	<p>TOLERANCES:</p> <p>.X = ±.2 [ .51 ]    FRACTIONS    ± 1/32 .XX = ±.02 [ .51 ]    ANGLES ± 1° .XXX = ±.005 [ .13 ]</p>		<p>CABLE LENGTH (L) TOLERANCES:</p> <p>L ≤ 12 [305] = +1 [25] / -0 12 [305] &lt; L ≤ 60 [1524] = +2 [51] / -0 60 [1524] &lt; L ≤ 120 [3048] = +4 [102] / -0 120 [3048] &lt; L ≤ 300 [7620] = +6 [152] / -0 300 [7620] &lt; L = +5%L / -0</p>	
<p>TITLE</p> <p>Plenum Low PIM 7/16 DIN Female to N Female Cable SPP-375-LLPL Coax Using Times Microwave Parts</p>			<p>SHEET 1 OF 1</p>	
<p>ALL DIMENSIONS SHOWN ARE FOR REFERENCE ONLY.</p>			<p>SCALE N/A</p>	
SIZE	CAGE CODE	DRAWN BY	ITEM NO.	REV
A	3FKR5	K.DANG	FMCA2573	A

T-Rev.D