

Outdoor Rated Low PIM 7/16 DIN Male to
7/16 DIN Female Cable SPO-375 Coax in 101.5 cm
Using Times Microwave Parts

FMCA2063-100CM

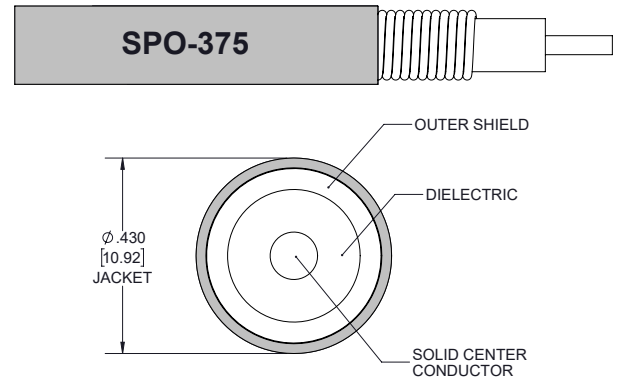


Configuration

- Connector 1: 7/16 DIN Male TC-375-716M-LP
- Connector 2: 7/16 DIN Female TC-SPP375-716F-LP
- Cable Type: SPO-375
- Coax Flex Type: Corrugated

Features

- Max Frequency 3 GHz
- Low PIM: -158 dBc Max
- 83% Phase Velocity
- PE Jacket
- 100% Tested with PIM Test Results Marked on Cable
- Lightweight and Extremely Flexible
- Low Loss with Excellent VSWR
- IP67 (when mated)
- Using Times Microwave Components



Applications

- General Purpose
- Laboratory Use
- Low PIM Applications
- Distributed Antenna Systems (DAS)
- Multi-Carrier Communication Systems
- PIM Testing

Description

The 7/16 DIN male to 7/16 DIN female 100 cm cable using SPO-375 coax, part number FMCA2063-100CM, from Fairview Microwave is in-stock and ships same day. This Fairview 7/16 DIN to 7/16 DIN cable assembly has a male to female gender configuration with 50 ohm corrugated SPO-375 coax. Fairview Microwave's corrugated RF cable assemblies are ideal for applications where durability and high power are needed. Our low PIM design offers excellent passive intermodulation performance with PIM levels better than -158 dBc. The FMCA2063-100CM 7/16 DIN male to 7/16 DIN female cable assembly operates to 3 GHz. Times Microwave cable is used in each assembly and TMS components are used to form connections with the super flexible low PIM cable. These cable assemblies are expertly built to satisfy your specific need with high quality Times Microwave Systems manufactured parts.

Custom versions of most RF cable assemblies can be built and shipped same day. Custom cable assembly lengths can be obtained by specifying the desired length on the web site at time of order or by contacting a sales representative. Other RF cable assembly value added services including connector orientation or clocking, heat shrink booting and labeling are also available. RF testing can also be performed to document the electrical performance of your cable assembly.

Electrical Specifications

Description	Minimum	Typical	Maximum	Units
Frequency Range	DC		3	GHz
VSWR			1.4:1	
Velocity of Propagation		83		%
Passive Intermodulation			-158	dBc
IM3 (2x43dBm Tones) at 850 MHz or 1900 MHz				

Outdoor Rated Low PIM 7/16 DIN Male to
7/16 DIN Female Cable SPO-375 Coax in 101.5 cm
Using Times Microwave Parts



FMCA2063-100CM

Electrical Specifications

Description	Minimum	Typical	Maximum	Units
Capacitance		24 [78.74]		pF/ft [pF/m]

Specifications by Frequency

Description	F1	F2	F3	F4	F5	Units
Frequency	0.5	1	2	3		GHz
Insertion Loss (Max.)	0.27	0.34	0.45	0.52		dB

Electrical Specification Notes:

PIM test results vary between cables

The Insertion Loss data above is based on the performance specifications of the coax used in this assembly. The Insertion Loss includes an estimated insertion loss of 0.1*SQRT(FGHz) dB for the female connector and 0.1 dB for the male connector.

Mechanical Specifications

Cable Assembly

Length	39.97 in [101.52 cm]
Width/Diameter	0.5 in [12.7 mm]
Weight	0.76 lbs [344.73 g]

Cable

Cable Type	SPO-375
Impedance	50 Ohms
Inner Conductor Type	Solid
Inner Conductor Material and Plating	Copper Clad Aluminum
Dielectric Type	Foam PE
Number of Shields	1
Shield Layer 1	Helically Corrugated Copper Tube
Outer Conductor 1 Material and Plating	Copper
Jacket Material	PE, Black
Jacket Diameter	0.43 in [10.92 mm]
One Time Minimum Bend Radius	1.75 in [44.45 mm]

Outdoor Rated Low PIM 7/16 DIN Male to
7/16 DIN Female Cable SPO-375 Coax in 101.5 cm
Using Times Microwave Parts



FMCA2063-100CM

Connectors

Description	Connector 1	Connector 2
Type	7/16 DIN Male	7/16 DIN Female
Impedance	50 Ohms	50 Ohms
Configuration	Straight	Straight
Contact Material and Plating	Brass, Silver	Phosphor Bronze, Silver
Contact Plating Specification	5 µin	200 µin
Dielectric Type	PTFE	PTFE
Body Material and Plating	Brass, Tri-Metal	Brass, Tri-Metal
Body Plating Specification	3 µin	80 µin
Coupling Nut Material and Plating	Brass, Tri-Metal	
Coupling Nut Plating Specification	3 µin	

Environmental Specifications

Operating Range Temperature -40 to +85 deg C

Compliance Certifications (see [product page](#) for current document)

Plotted and Other Data

Notes:

Outdoor Rated Low PIM 7/16 DIN Male to
7/16 DIN Female Cable SPO-375 Coax in 101.5 cm
Using Times Microwave Parts

FMCA2063-100CM



Typical Performance Data



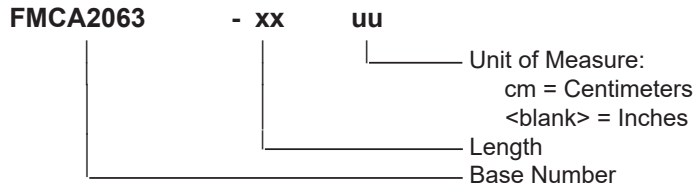
Outdoor Rated Low PIM 7/16 DIN Male to
7/16 DIN Female Cable SPO-375 Coax in 101.5 cm
Using Times Microwave Parts



FMCA2063-100CM

How to Order

Part Number Configuration:



Example: FMCA2063-12 = 12 inches long cable
FMCA2063-100cm = 100 cm long cable

Outdoor Rated Low PIM 7/16 DIN Male to 7/16 DIN Female Cable SPO-375 Coax in 101.5 cm Using Times Microwave Parts from Fairview Microwave is in-stock and available to ship same-day. All of our RF/microwave products are available off-the-shelf from our ISO 9001:2008 certified facilities in Lewisville, Texas. Fairview Microwave is RF on-demand.

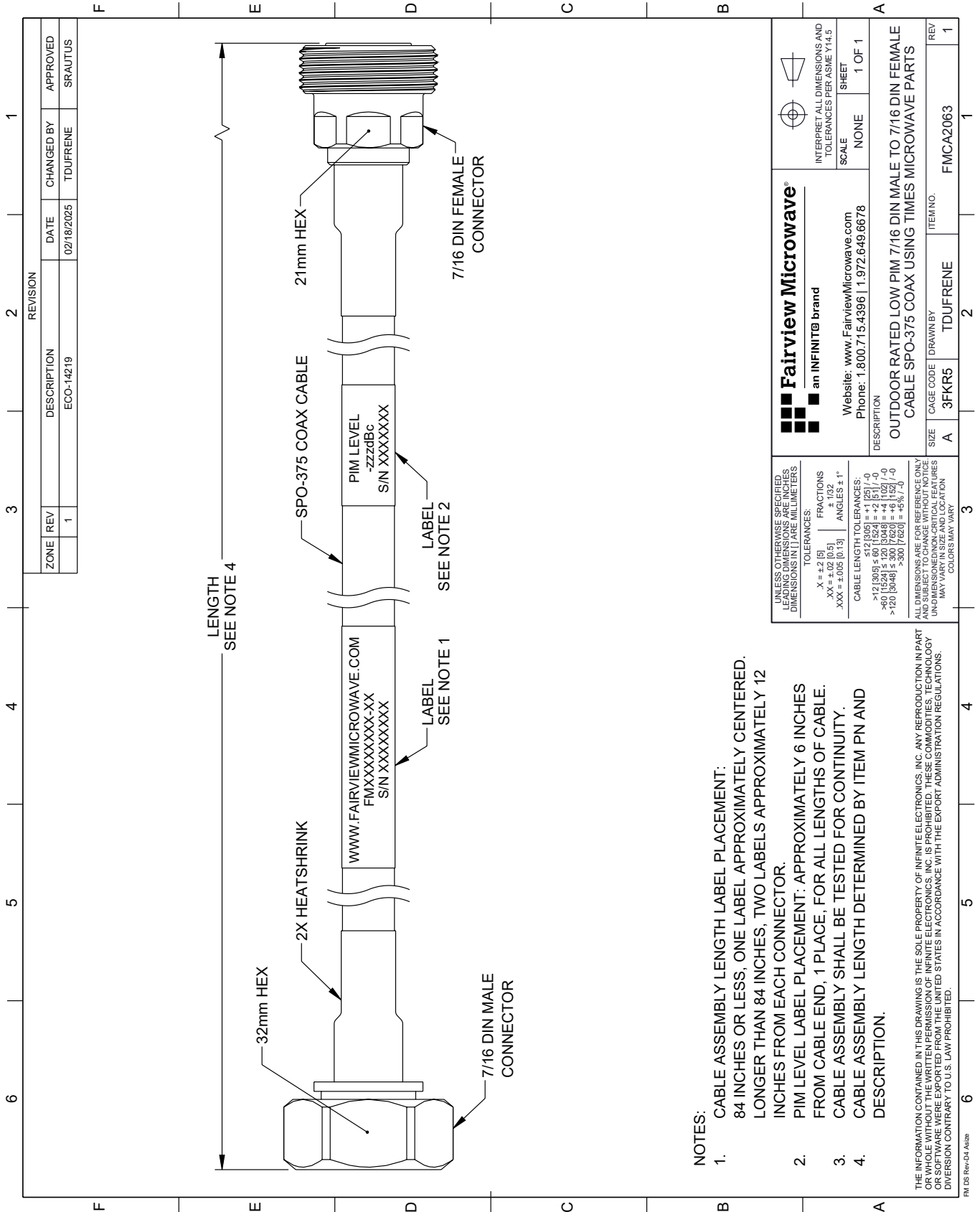
For additional information on this product, please click the following link: [Outdoor Rated Low PIM 7/16 DIN Male to 7/16 DIN Female Cable SPO-375 Coax in 101.5 cm Using Times Microwave Parts FMCA2063-100CM](#)

URL: <https://www.fairviewmicrowave.com/low-pim-7-16-din-male-7-16-din-female-cable-spo375-coax-fmca2063-100cm-p.aspx>

The information contained within this document is accurate to the best of our knowledge and representative of the part described herein. It may be necessary to make modifications to the part and/or the documentation of the part in order to implement improvements. Fairview Microwave reserves the right to make such changes as required. Unless otherwise stated, all specifications are nominal. Fairview Microwave does not make any representation or warranty regarding the suitability of the part described herein for any particular purpose, and Fairview Microwave does not assume liability arising out of the use of any part or document.

FMCA2063-100CM CAD Drawing

Outdoor Rated Low PIM 7/16 DIN Male to 7/16 DIN Female Cable
SPO-375 Coax in 101.5 cm Using Times Microwave Parts



NOTES:

1. CABLE ASSEMBLY LENGTH LABEL PLACEMENT:
84 INCHES OR LESS, ONE LABEL APPROXIMATELY CENTERED.
LONGER THAN 84 INCHES, TWO LABELS APPROXIMATELY 12
INCHES FROM EACH CONNECTOR.
2. PIM LEVEL LABEL PLACEMENT: APPROXIMATELY 6 INCHES
FROM CABLE END, 1 PLACE, FOR ALL LENGTHS OF CABLE.
3. CABLE ASSEMBLY SHALL BE TESTED FOR CONTINUITY.
4. CABLE ASSEMBLY LENGTH DETERMINED BY ITEM PN AND
DESCRIPTION.

THE INFORMATION CONTAINED IN THIS DRAWING IS THE SOLE PROPERTY OF INFINITE ELECTRONICS, INC. ANY REPRODUCTION IN PART OR WHOLE WITHOUT THE WRITTEN PERMISSION OF INFINITE ELECTRONICS, INC. IS PROHIBITED. THESE COMMODITIES, TECHNOLOGY OR SOFTWARE WERE EXPORTED FROM THE UNITED STATES IN ACCORDANCE WITH THE EXPORT ADMINISTRATION REGULATIONS. DIVERSION CONTRARY TO U.S. LAW PROHIBITED.

<p>Fairview Microwave® an INFINIT® brand</p> <p>Website: www.FairviewMicrowave.com Phone: 1.800.715.4396 1.972.649.6678</p>	<p>UNLESS OTHERWISE SPECIFIED, LEADING DIMENSIONS ARE IN INCHES DIMENSIONS IN [] ARE MILLIMETERS</p> <p>TOLERANCES: .X = ±.2 [5] .XX = ±.02 [0.5] .XXX = ±.005 [0.13] FRACTIONS ± 1/32 ANGLES ± 1°</p> <p>CABLE LENGTH TOLERANCES: <12 [305] ±.60 [15.24] = ±.2 [5] / -0 >12 [305] ≤ 60 [1524] = ±.1 [2.5] / -0 >60 [1524] ≤ 120 [3048] = ±.4 [10.2] / -0 >120 [3048] ≤ 300 [7620] = ±.6 [15.24] / -0</p> <p>ALL DIMENSIONS ARE FOR REFERENCE ONLY UNLESS OTHERWISE SPECIFIED DIMENSIONS/DRAWN BY UNLESS OTHERWISE SPECIFIED DIMENSIONS/DRAWN BY MAY VARY IN SIZE AND LOCATION COLORS MAY VARY</p>	<p>INTERPRET ALL DIMENSIONS AND TOLERANCES PER ASME Y14.5</p> <p>SCALE NONE</p> <p>SHEET 1 OF 1</p>
<p>DESCRIPTION OUTDOOR RATED LOW PIM 7/16 DIN MALE TO 7/16 DIN FEMALE CABLE SPO-375 COAX USING TIMES MICROWAVE PARTS</p>		
SIZE A	CAGE CODE 3FKR5	ITEM NO. FMCA2063
DRAWN BY TDUFRENE	REV 1	