

Low Loss N Male to N Male Weatherproof Cable SPO-250 Coax with Times Microwave Components



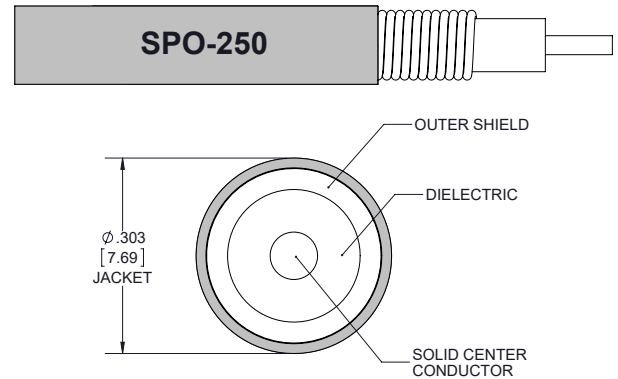
FMCA2015/WP

Configuration

- Connector 1: N Male
- Connector 2: N Male
- Cable Type: SPO-250
- Coax Flex Type: Flexible

Features

- Max Frequency 6 GHz
- Low PIM: -160 dBc Max
- 83% Phase Velocity
- PE Jacket
- Silicone Connector Boot
- IP68 Rated



Applications

- General Purpose
- Laboratory Use

Description

The Fairview Microwave FMCA2015/WP is a weatherproof low loss cable assembly that comes with type N male connection with weatherproof boot on one end and type N male with weatherproof boot on the other. Fairview Microwave's RF coaxial cable assembly products are designed for typical use, production, laboratory test and measurement, defense/military, aerial antenna towers, etc. The low loss cable has a 50 Ohm impedance and is specifically ready for quicker shipment than most in the industry can provide.

This weatherproof low loss RF cable assembly operates at a maximum frequency of 6 GHz. Our RF cable assembly has a PE jacket with 0.303 inches diameter. The type N male to type N male cable assembly FMCA2015/WP is built with SPO-250 coax, which has a flexible design. This RF cable assembly with 0.5 inches diameter has copper clad aluminum as cable's inner conducting material and foam PE dielectric type. The weatherproof boot low loss cable can operate at a temperature range of -40 to 85 degrees C. Additional dimensions, specifications, and CAD drawings for this FMCA2015/WP low loss RF cable are available on our downloadable PDF datasheet.

Fairview Microwave stocks a wide selection of weatherproof low loss cable assemblies that ship the same business day as ordered from our warehouse. Make your online purchase right now to take advantage of our same-day shipping. For further information on similar products, our expert technical support and knowledgeable sales team can help you get the ideal type N male to type N male cable assembly as per your requirements.

Electrical Specifications

Description	Minimum	Typical	Maximum	Units
Frequency Range	DC		6	GHz
VSWR			1.4:1	
Velocity of Propagation		83		%
Passive Intermodulation			-160	dBc
IM3 (2x43dBm Tones) at 850 MHz or 1900 MHz				
Capacitance		24 [78.74]		pF/ft [pF/m]

Low Loss N Male to N Male Weatherproof Cable
SPO-250 Coax with Times Microwave Components



FMCA2015/WP

Electrical Specifications

Description	Minimum	Typical	Maximum	Units
Inductance		0.054 [0.18]		uH/ft [uH/m]

Specifications by Frequency

Part Number	Length	Description	F1	F2	F3	F4	Units	Weight (lbs)
			500	1000	2500	6000	MHz	
FMCA2015/WP	Custom Lengths Available	Insertion Loss (Typ.)	0.028	0.041	0.068	0.108	dB/ft	
			0.1	0.14	0.23	0.36	dB/m	
FMCA2015/WP-12	12 Inch	Insertion Loss (Typ.)	0.17	0.25	0.39	0.6	dB	1.209
FMCA2015/WP-24	24 Inch	Insertion Loss (Typ.)	0.2	0.29	0.46	0.71	dB	1.256
FMCA2015/WP-36	36 Inch	Insertion Loss (Typ.)	0.23	0.33	0.53	0.82	dB	1.303
FMCA2015/WP-60	60 Inch	Insertion Loss (Typ.)	0.29	0.41	0.66	1.03	dB	1.397
FMCA2015/WP-50CM	50 CM	Insertion Loss (Typ.)	0.19	0.27	0.43	0.67	dB	1.24

The insertion loss data for the base model does not include loss due to the connectors. Each length includes insertion loss due to the connectors.

Loss due to Connector 1: 0.1*SQRT(FGHz) dB
 Loss due to Connector 2: 0.1*SQRT(FGHz) dB
 Base Weight: 1.209 pounds
 Additional Weight per Inch: 0.00391 pounds

Mechanical Specifications

Cable Assembly

Width/Diameter 0.5 in [12.7 mm]
 Weight 1.209 lbs [548.39 g]

Cable

Cable Type SPO-250
 Impedance 50 Ohms
 Inner Conductor Type Stranded
 Inner Conductor Material and Plating Copper Clad Aluminum
 Dielectric Type Foam PE
 Outer Conductor 1 Material and Plating Copper, Corrugated
 Jacket Material PE
 Jacket Diameter 0.303 in [7.7 mm]
 One Time Minimum Bend Radius 1 in [25.4 mm]
 Bending Moment 0.5 lbs-ft [0.68 N-m]

Low Loss N Male to N Male Weatherproof Cable
SPO-250 Coax with Times Microwave Components



FMCA2015/WP

Connectors

Description	Connector 1	Connector 2
Type	N Male	N Male
Option	Weatherproof Boot	Weatherproof Boot
Impedance	50 Ohms	50 Ohms
Configuration	Straight	Straight
Contact Material and Plating	Phosphor Bronze, Silver	Phosphor Bronze, Silver
Contact Plating Specification	196 µin minimum	196 µin minimum
Dielectric Type	PTFE	PTFE
Body Material and Plating	Brass, Tri-Metal	Brass, Tri-Metal
Body Plating Specification	118 µin minimum	118 µin minimum
Coupling Nut Material and Plating	Brass, Tri-Metal	Brass, Tri-Metal
Coupling Nut Plating Specification	118 µin minimum	118 µin minimum
Boot Material	Silicone	Silicone

Environmental Specifications

Operating Range Temperature	-40 to +85 deg C
Ingress Protection (IP) Rating	IP68

Compliance Certifications (see [product page](#) for current document)

Plotted and Other Data

Notes:
Values at 25°C, sea level.

Low Loss N Male to N Male Weatherproof Cable
SPO-250 Coax with Times Microwave Components

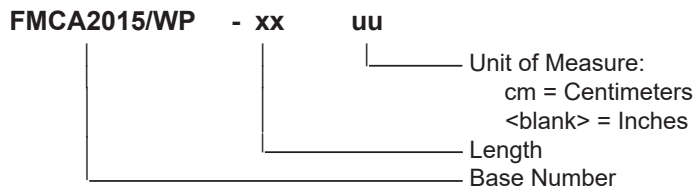


FMCA2015/WP

Typical Performance Data

How to Order

Part Number Configuration:



Example: FMCA2015/WP-12 = 12 inches long cable
FMCA2015/WP-100cm = 100 cm long cable

Low Loss N Male to N Male Weatherproof Cable SPO-250 Coax with Times Microwave Components from Fairview Microwave is in-stock and available to ship same-day. All of our RF/microwave products are available off-the-shelf from our ISO 9001:2008 certified facilities in Lewisville, Texas. Fairview Microwave is RF on-demand.

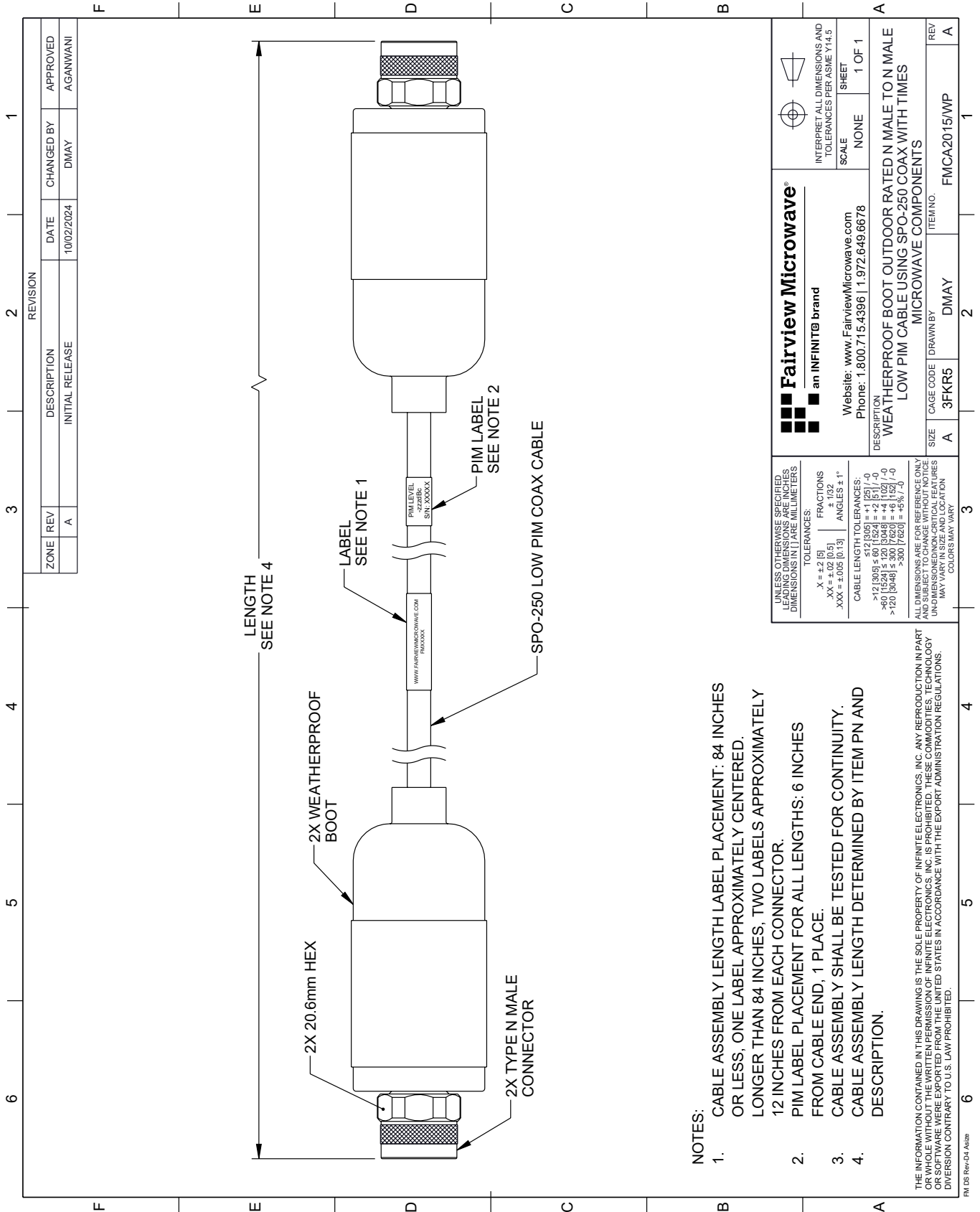
For additional information on this product, please click the following link: [Low Loss N Male to N Male Weatherproof Cable SPO-250 Coax with Times Microwave Components FMCA2015/WP](#)

URL: <https://www.fairviewmicrowave.com/low-loss-n-male-to-n-male-weatherproof-cable-spo-250-coax-with-times-microwave-components-fmca2015-wp-p.aspx>

The information contained within this document is accurate to the best of our knowledge and representative of the part described herein. It may be necessary to make modifications to the part and/or the documentation of the part in order to implement improvements. Fairview Microwave reserves the right to make such changes as required. Unless otherwise stated, all specifications are nominal. Fairview Microwave does not make any representation or warranty regarding the suitability of the part described herein for any particular purpose, and Fairview Microwave does not assume liability arising out of the use of any part or document.

FMCA2015/WP CAD Drawing


Low Loss N Male to N Male Weatherproof Cable SPO-250 Coax with Times Microwave Components



NOTES:

1. CABLE ASSEMBLY LENGTH LABEL PLACEMENT: 84 INCHES OR LESS, ONE LABEL APPROXIMATELY CENTERED, LONGER THAN 84 INCHES, TWO LABELS APPROXIMATELY 12 INCHES FROM EACH CONNECTOR.
2. PIM LABEL PLACEMENT FOR ALL LENGTHS: 6 INCHES FROM CABLE END, 1 PLACE.
3. CABLE ASSEMBLY SHALL BE TESTED FOR CONTINUITY.
4. CABLE ASSEMBLY LENGTH DETERMINED BY ITEM PN AND DESCRIPTION.

THE INFORMATION CONTAINED IN THIS DRAWING IS THE SOLE PROPERTY OF INFINITE ELECTRONICS, INC. ANY REPRODUCTION IN PART OR WHOLE WITHOUT THE WRITTEN PERMISSION OF INFINITE ELECTRONICS, INC. IS PROHIBITED. THESE COMMODITIES, TECHNOLOGY OR SOFTWARE WERE EXPORTED FROM THE UNITED STATES IN ACCORDANCE WITH THE EXPORT ADMINISTRATION REGULATIONS. DIVERSION CONTRARY TO U.S. LAW PROHIBITED.

 Fairview Microwave® an INFINIT® brand		Website: www.FairviewMicrowave.com Phone: 1.800.715.4396 1.972.649.6678
UNLESS OTHERWISE SPECIFIED, LEADING DIMENSIONS ARE IN INCHES. DIMENSIONS IN [] ARE MILLIMETERS.		INTERPRET ALL DIMENSIONS AND TOLERANCES PER ASME Y14.5
TOLERANCES: .X = ±.2 [5] .XX = ±.02 [0.5] .XXX = ±.005 [0.13]		SCALE: NONE SHEET: 1 OF 1
FRACTIONS: ± 1/32 ANGLES: ± 1°		
CABLE LENGTH TOLERANCES: <12 [305] ≤ 60 [1524] = ±1 [25] / -0 >60 [1524] ≤ 120 [3048] = ±4 [102] / -0 >120 [3048] ≤ 300 [7620] = ±5% / -0		
ALL DIMENSIONS ARE FOR REFERENCE ONLY. DIMENSIONS IN PARENTHESES ARE UNDIMENSIONED NON-CRITICAL FEATURES. DIMENSIONS MAY VARY. COLORS MAY VARY.		
DESCRIPTION	SIZE	ITEM NO.
WEATHERPROOF BOOT OUTDOOR RATED N MALE TO N MALE LOW PIM CABLE USING SPO-250 COAX WITH TIMES MICROWAVE COMPONENTS	A 3FKR5	FMCA2015/WP
CAGE CODE	DRAWN BY	REV
DMAY	DMAY	A