

## Low PIM N Male to SMA Female Plenum Cable SPP-250-LLPL Coax in 24 Inch with LF Solder

### FMCA1811-24

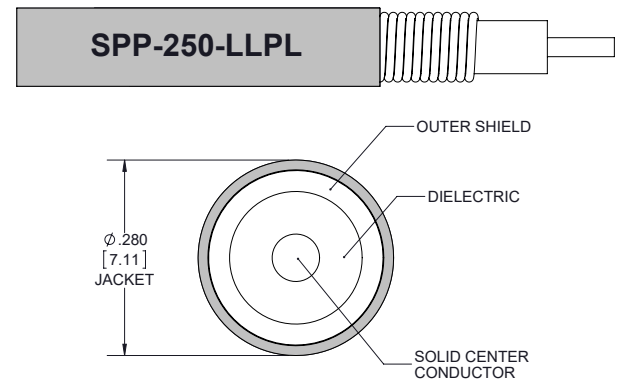


#### Configuration

- Connector 1: N Male
- Connector 2: SMA Female
- Cable Type: SPP-250-LLPL
- Coax Flex Type: Corrugated

#### Features

- Max Frequency 5.8 GHz
- Low PIM: -160 dBc Max
- Shielding Effectivity > 100 dB
- 76% Phase Velocity
- FEP Jacket
- IP67 (Mated)
- Low Loss with Excellent VSWR
- PIM Test Results Marked on Each Cable
- UL910 Plenum Rated Cable
- Extremely Flexible and Lightweight



#### Applications

- General Purpose
- Laboratory Use
- Low PIM Applications
- DAS
- Mobile Networks
- In-Building Wireless
- Small Cells
- PIM Testing

#### Description

The type N male to SMA female 24 inch cable using SPP-250-LLPL coax, part number FMCA1811-24, from Fairview Microwave is in-stock and ships same day. This Fairview type N to SMA cable assembly has a male to female gender configuration with 50 ohm corrugated SPP-250-LLPL coax. Fairview Microwave's corrugated RF cable assemblies are ideal for applications where durability and high power are needed. Our low PIM design offers excellent passive intermodulation performance with PIM levels better than -160 dBc. The FMCA1811-24 type N male to SMA female cable assembly operates to 5.8 GHz.

Custom versions of most RF cable assemblies can be built and shipped same day. Custom cable assembly lengths can be obtained by specifying the desired length on the web site at time of order or by contacting a sales representative. Other RF cable assembly value added services including connector orientation or clocking, heat shrink booting and labeling are also available. RF testing can also be performed to document the electrical performance of your cable assembly.

#### Electrical Specifications

Description	Minimum	Typical	Maximum	Units
Frequency Range	DC		5.8	GHz
VSWR			1.4:1	
Velocity of Propagation		76		%
RF Shielding	100			dB
Passive Intermodulation			-160	dBc
IM3 (2x43dBm Tones) at 850 MHz or 1900 MHz				

Low PIM N Male to SMA Female Plenum Cable  
SPP-250-LLPL Coax in 24 Inch with LF Solder



**FMCA1811-24**

**Electrical Specifications**

Description	Minimum	Typical	Maximum	Units
Capacitance		27 [88.58]		pF/ft [pF/m]
Inductance		0.067 [0.22]		uH/ft [uH/m]
DC Resistance Inner Conductor		3 [9.84]		Ohms/1000ft [Ohms/Km]

**Specifications by Frequency**

Description	F1	F2	F3	F4	F5	Units
Frequency	0.45	0.7	1	2.5	5.8	GHz
Insertion Loss (Max.)	0.13	0.17	0.2	0.32	0.49	dB

Electrical Specification Notes:

The insertion loss data above is based on the performance specifications of the coax cable used in this assembly. The insertion loss includes an estimated insertion loss of  $0.04 \cdot \sqrt{\text{FGHz}}$  dB maximum per connector.

**Mechanical Specifications**

**Cable Assembly**

Length 24 in [609.6 mm]

**Cable**

Cable Type SPP-250-LLPL  
 Impedance 50 Ohms  
 Inner Conductor Type Solid  
 Inner Conductor Material and Plating Copper  
 Dielectric Type PTFE  
 Number of Shields 1  
 Outer Conductor 1 Material and Plating Copper  
 Jacket Material FEP, Blue  
 Jacket Diameter 0.28 in [7.11 mm]  
 One Time Minimum Bend Radius 1.25 in [31.75 mm]  
 Bending Moment 0.8 lbs-ft [1.08 N-m]

**Connectors**

Description	Connector 1	Connector 2
Type	N Male	SMA Female
Impedance	50 Ohms	50 Ohms
Configuration	Straight	Straight
Contact Material and Plating	Phosphor Bronze, Silver	Beryllium Copper, Silver
Dielectric Type	PTFE	PTFE
Outer Conductor Material and Plating		Brass, Tri-Metal
Body Material and Plating	Brass, Tri-Metal	Brass, Tri-Metal
Coupling Nut Material and Plating	Brass, Tri-Metal	

Low PIM N Male to SMA Female Plenum Cable  
SPP-250-LLPL Coax in 24 Inch with LF Solder



## FMCA1811-24

### Environmental Specifications

Operating Range Temperature -55 to +165 deg C

**Compliance Certifications** (see [product page](#) for current document)

### Plotted and Other Data

Notes:

### Typical Performance Data



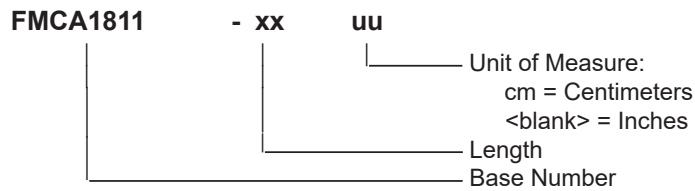
Low PIM N Male to SMA Female Plenum Cable  
SPP-250-LLPL Coax in 24 Inch with LF Solder



**FMCA1811-24**

**How to Order**

Part Number Configuration:



Example: FMCA1811-12 = 12 inches long cable  
FMCA1811-100cm = 100 cm long cable

Low PIM N Male to SMA Female Plenum Cable SPP-250-LLPL Coax in 24 Inch with LF Solder from Fairview Microwave is in-stock and available to ship same-day. All of our RF/microwave products are available off-the-shelf from our ISO 9001:2008 certified facilities in Lewisville, Texas. Fairview Microwave is RF on-demand.

For additional information on this product, please click the following link: [Low PIM N Male to SMA Female Plenum Cable SPP-250-LLPL Coax in 24 Inch with LF Solder FMCA1811-24](https://www.fairviewmicrowave.com/n-male-sma-female-cable-spp250llpl-coax-fmca1811-24-p.aspx)

URL: <https://www.fairviewmicrowave.com/n-male-sma-female-cable-spp250llpl-coax-fmca1811-24-p.aspx>

The information contained within this document is accurate to the best of our knowledge and representative of the part described herein. It may be necessary to make modifications to the part and/or the documentation of the part in order to implement improvements. Fairview Microwave reserves the right to make such changes as required. Unless otherwise stated, all specifications are nominal. Fairview Microwave does not make any representation or warranty regarding the suitability of the part described herein for any particular purpose, and Fairview Microwave does not assume liability arising out of the use of any part or document.

# FMCA1811-24 CAD Drawing

Low PIM N Male to SMA Female Plenum Cable SPP-250-LLPL Coax in 24 Inch with LF Solder

