

## Snap-On BMA Jack to Snap-On BMA Jack Cable FM-SR086TBJ Coax in 6 Inch



### FMCA1561-6

#### Configuration

- Connector 1: Snap-On BMA Jack
- Connector 2: Snap-On BMA Jack
- Cable Type: FM-SR086TBJ
- Coax Flex Type: Formable

#### Features

- Max Frequency 20 GHz
- Shielding Effectivity > 100 dB
- 69.5% Phase Velocity
- FEP Jacket

#### Applications

- General Purpose
- Laboratory Use
- Rack and Panel
- BMA Cable RF Backplanes
- Phased Array Interconnects
- High Speed Switching Networks
- Blind Mate BMA Test

#### Description

The BMA jack snap-on to BMA jack snap-on 6 inch cable using FM-SR086TBJ coax, part number FMCA1561-6, from Fairview Microwave is in-stock and ships same day. This Fairview BMA to BMA cable assembly has a jack to jack gender configuration with 50 ohm formable FM-SR086TBJ coax. Fairview Microwave's formable RF cable assemblies provide an alternative to costly pre-formed semi-rigid assemblies since they are hand formable. The FMCA1561-6 BMA jack to BMA jack cable assembly operates to 20 GHz.

Custom versions of most RF cable assemblies can be built and shipped same day. Custom cable assembly lengths can be obtained by specifying the desired length on the web site at time of order or by contacting a sales representative. Other RF cable assembly value added services including connector orientation or clocking, heat shrink booting and labeling are also available. RF testing can also be performed to document the electrical performance of your cable assembly.

#### Electrical Specifications

Description	Minimum	Typical	Maximum	Units
Frequency Range	DC		20	GHz
VSWR			1.5:1	
Return Loss			15.56	dB
Velocity of Propagation		69.5		%
RF Shielding	100			dB
Group Delay		1.43 [4.69]		ns/ft [ns/m]
Capacitance		29 [95.14]		pF/ft [pF/m]
DC Resistance Inner Conductor		65.7 [215.55]		Ohms/1000ft [Ohms/Km]
DC Resistance Outer Conductor		10.2 [33.46]		Ohms/1000ft [Ohms/Km]

Snap-On BMA Jack to Snap-On BMA Jack  
Cable FM-SR086TBJ Coax in 6 Inch



**FMCA1561-6**

**Electrical Specifications**

Description	Minimum	Typical	Maximum	Units
Operating Voltage (AC)			500	Vrms

**Specifications by Frequency**

Description	F1	F2	F3	F4	F5	Units
Frequency	1	2	4.5	9	20	GHz
Insertion Loss (Typ.)	0.32	0.36	0.46	0.58	0.8	dB

**Mechanical Specifications**

**Cable Assembly**

Width/Diameter 0.35 in [8.89 mm]

**Cable**

Cable Type FM-SR086TBJ  
 Impedance 50 Ohms  
 Inner Conductor Type Solid  
 Inner Conductor Material and Plating Copper Clad Steel, Silver  
 Dielectric Type PTFE  
 Number of Shields 1  
 Outer Conductor 1 Material and Plating Tinned Copper Composite Braid  
 Jacket Material FEP, Black  
 Jacket Diameter 0.105 in [2.67 mm]  
 One Time Minimum Bend Radius 0.5 in [12.7 mm]  
 Repeated Minimum Bend Radius 0.787 in [19.99 mm]

**Connectors**

Description	Connector 1	Connector 2
Type	BMA Jack	BMA Jack
Impedance	50 Ohms	50 Ohms
Configuration	Straight	Straight
Connection Method	Snap-On	Snap-On
Contact Material and Plating	Beryllium Copper, Gold	Beryllium Copper, Gold
Contact Plating Specification	51.18µ in. minimum	51.18µ in. minimum
Dielectric Type	PTFE	PTFE
Outer Conductor Material and Plating	Beryllium Copper, Gold	Beryllium Copper, Gold
Body Material and Plating	Stainless Steel, Gold	Stainless Steel, Gold
Body Plating Specification	19.68µ in. minimum	19.68µ in. minimum

**Environmental Specifications**

Operating Range Temperature -40 to +105 deg C

Snap-On BMA Jack to Snap-On BMA Jack  
Cable FM-SR086TBJ Coax in 6 Inch



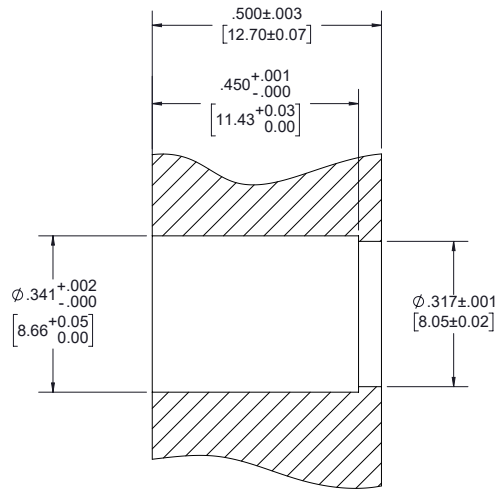
**FMCA1561-6**

**Compliance Certifications** (see [product page](#) for current document)

**Plotted and Other Data**

Notes:

**Typical Performance Data**



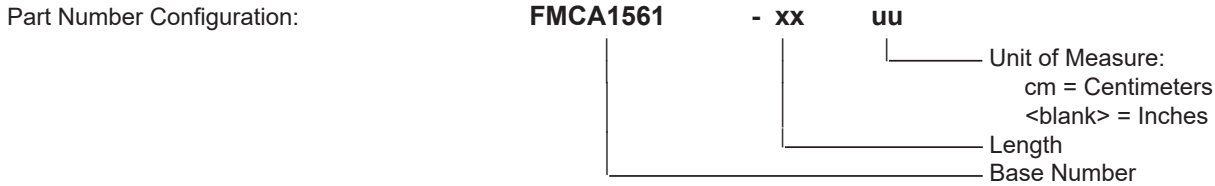
PANEL DRILLING

Snap-On BMA Jack to Snap-On BMA Jack  
Cable FM-SR086TBJ Coax in 6 Inch



**FMCA1561-6**

**How to Order**



Example: FMCA1561-12 = 12 inches long cable  
FMCA1561-100cm = 100 cm long cable

Snap-On BMA Jack to Snap-On BMA Jack Cable FM-SR086TBJ Coax in 6 Inch from Fairview Microwave is in-stock and available to ship same-day. All of our RF/microwave products are available off-the-shelf from our ISO 9001:2008 certified facilities in Lewisville, Texas. Fairview Microwave is RF on-demand.

For additional information on this product, please click the following link: [Snap-On BMA Jack to Snap-On BMA Jack Cable FM-SR086TBJ Coax in 6 Inch FMCA1561-6](#)

URL: <https://www.fairviewmicrowave.com/bma-jack-bma-jack-cable-rg405-type-.086-coax-fmca1561-6-p.aspx>

The information contained within this document is accurate to the best of our knowledge and representative of the part described herein. It may be necessary to make modifications to the part and/or the documentation of the part in order to implement improvements. Fairview Microwave reserves the right to make such changes as required. Unless otherwise stated, all specifications are nominal. Fairview Microwave does not make any representation or warranty regarding the suitability of the part described herein for any particular purpose, and Fairview Microwave does not assume liability arising out of the use of any part or document.

# FMCA1561-6 CAD Drawing

Snap-On BMA Jack to Snap-On BMA Jack Cable FM-SR086TBJ Coax in 6 Inch

