

Snap-On BMA Jack to Snap-On BMA Jack Cable FM-SR086TBJ Coax in 24 Inch

FMCA1561-24



Configuration

- Connector 1: Snap-On BMA Jack
- Connector 2: Snap-On BMA Jack
- Cable Type: FM-SR086TBJ
- Coax Flex Type: Formable

Features

- Max Frequency 20 GHz
- Shielding Effectivity > 100 dB
- 69.5% Phase Velocity
- FEP Jacket

Applications

- General Purpose
- Laboratory Use
- Rack and Panel
- BMA Cable RF Backplanes
- Phased Array Interconnects
- High Speed Switching Networks
- Blind Mate BMA Test

Description

The BMA jack snap-on to BMA jack snap-on 24 inch cable using FM-SR086TBJ coax, part number FMCA1561-24, from Fairview Microwave is in-stock and ships same day. This Fairview BMA to BMA cable assembly has a jack to jack gender configuration with 50 ohm formable FM-SR086TBJ coax. Fairview Microwave's formable RF cable assemblies provide an alternative to costly pre-formed semi-rigid assemblies since they are hand formable. The FMCA1561-24 BMA jack to BMA jack cable assembly operates to 20 GHz.

Custom versions of most RF cable assemblies can be built and shipped same day. Custom cable assembly lengths can be obtained by specifying the desired length on the web site at time of order or by contacting a sales representative. Other RF cable assembly value added services including connector orientation or clocking, heat shrink booting and labeling are also available. RF testing can also be performed to document the electrical performance of your cable assembly.

Electrical Specifications

Description	Minimum	Typical	Maximum	Units
Frequency Range	DC		20	GHz
VSWR			1.5:1	
Return Loss			15.56	dB
Velocity of Propagation		69.5		%
RF Shielding	100			dB
Group Delay		1.43 [4.69]		ns/ft [ns/m]
Capacitance		29 [95.14]		pF/ft [pF/m]
DC Resistance Inner Conductor		65.7 [215.55]		Ohms/1000ft [Ohms/Km]
DC Resistance Outer Conductor		10.2 [33.46]		Ohms/1000ft [Ohms/Km]

Snap-On BMA Jack to Snap-On BMA Jack
Cable FM-SR086TBJ Coax in 24 Inch



FMCA1561-24

Electrical Specifications

Description	Minimum	Typical	Maximum	Units
Operating Voltage (AC)			500	Vrms

Specifications by Frequency

Description	F1	F2	F3	F4	F5	Units
Frequency	1	2	4.5	9	20	GHz
Insertion Loss (Typ.)	0.65	0.82	1.22	1.72	2.6	dB

Mechanical Specifications

Cable Assembly

Width/Diameter 0.35 in [8.89 mm]

Cable

Cable Type FM-SR086TBJ
 Impedance 50 Ohms
 Inner Conductor Type Solid
 Inner Conductor Material and Plating Copper Clad Steel, Silver
 Dielectric Type PTFE
 Number of Shields 1
 Outer Conductor 1 Material and Plating Tinned Copper Composite Braid
 Jacket Material FEP, Black
 Jacket Diameter 0.105 in [2.67 mm]
 One Time Minimum Bend Radius 0.5 in [12.7 mm]
 Repeated Minimum Bend Radius 0.787 in [19.99 mm]

Connectors

Description	Connector 1	Connector 2
Type	BMA Jack	BMA Jack
Impedance	50 Ohms	50 Ohms
Configuration	Straight	Straight
Connection Method	Snap-On	Snap-On
Contact Material and Plating	Beryllium Copper, Gold	Beryllium Copper, Gold
Contact Plating Specification	51.18µ in. minimum	51.18µ in. minimum
Dielectric Type	PTFE	PTFE
Outer Conductor Material and Plating	Beryllium Copper, Gold	Beryllium Copper, Gold
Body Material and Plating	Stainless Steel, Gold	Stainless Steel, Gold
Body Plating Specification	19.68µ in. minimum	19.68µ in. minimum

Environmental Specifications

Operating Range Temperature -40 to +105 deg C

Snap-On BMA Jack to Snap-On BMA Jack
Cable FM-SR086TBJ Coax in 24 Inch



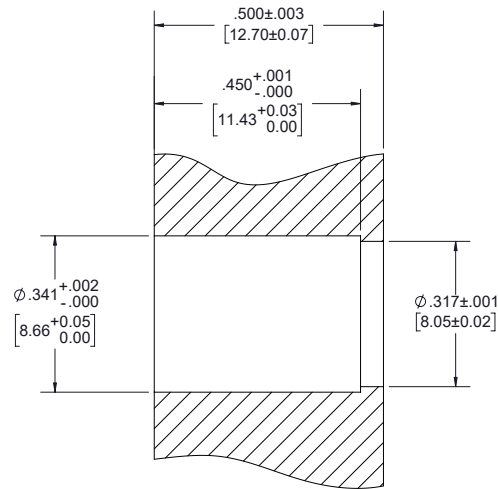
FMCA1561-24

Compliance Certifications (see [product page](#) for current document)

Plotted and Other Data

Notes:

Typical Performance Data



PANEL DRILLING

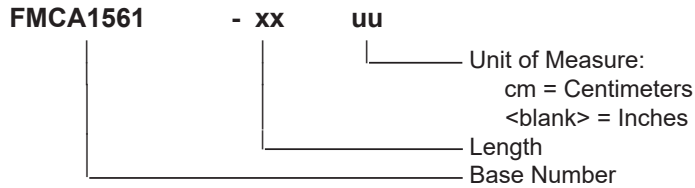
Snap-On BMA Jack to Snap-On BMA Jack
Cable FM-SR086TBJ Coax in 24 Inch



FMCA1561-24

How to Order

Part Number Configuration:



Example: FMCA1561-12 = 12 inches long cable
FMCA1561-100cm = 100 cm long cable

Snap-On BMA Jack to Snap-On BMA Jack Cable FM-SR086TBJ Coax in 24 Inch from Fairview Microwave is in-stock and available to ship same-day. All of our RF/microwave products are available off-the-shelf from our ISO 9001:2008 certified facilities in Lewisville, Texas. Fairview Microwave is RF on-demand.

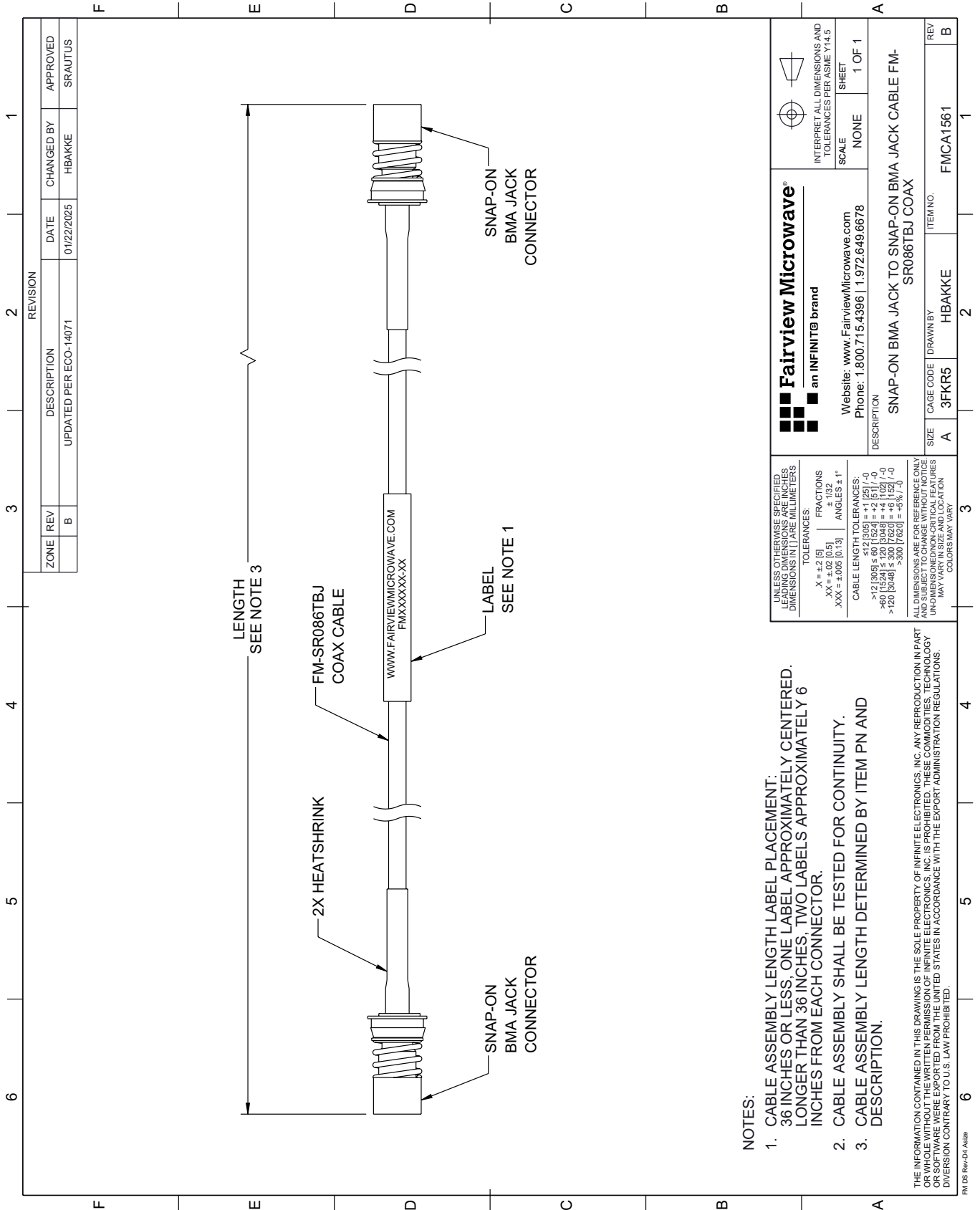
For additional information on this product, please click the following link: [Snap-On BMA Jack to Snap-On BMA Jack Cable FM-SR086TBJ Coax in 24 Inch FMCA1561-24](https://www.fairviewmicrowave.com/bma-jack-bma-jack-cable-rg405-type-.086-coax-fmca1561-24-p.aspx)

URL: <https://www.fairviewmicrowave.com/bma-jack-bma-jack-cable-rg405-type-.086-coax-fmca1561-24-p.aspx>

The information contained within this document is accurate to the best of our knowledge and representative of the part described herein. It may be necessary to make modifications to the part and/or the documentation of the part in order to implement improvements. Fairview Microwave reserves the right to make such changes as required. Unless otherwise stated, all specifications are nominal. Fairview Microwave does not make any representation or warranty regarding the suitability of the part described herein for any particular purpose, and Fairview Microwave does not assume liability arising out of the use of any part or document.

FMCA1561-24 CAD Drawing

Snap-On BMA Jack to Snap-On BMA Jack Cable FM-SR086TBJ Coax in 24 Inch



NOTES:

1. CABLE ASSEMBLY LENGTH LABEL PLACEMENT: 36 INCHES OR LESS, ONE LABEL APPROXIMATELY CENTERED. LONGER THAN 36 INCHES, TWO LABELS APPROXIMATELY 6 INCHES FROM EACH CONNECTOR.
2. CABLE ASSEMBLY SHALL BE TESTED FOR CONTINUITY.
3. CABLE ASSEMBLY LENGTH DETERMINED BY ITEM PN AND DESCRIPTION.

THE INFORMATION CONTAINED IN THIS DRAWING IS THE SOLE PROPERTY OF INFINITE ELECTRONICS, INC. ANY REPRODUCTION IN PART OR WHOLE WITHOUT THE WRITTEN PERMISSION OF INFINITE ELECTRONICS, INC. IS PROHIBITED. THESE COMMODITIES, TECHNOLOGY OR SOFTWARE WERE EXPORTED FROM THE UNITED STATES IN ACCORDANCE WITH THE EXPORT ADMINISTRATION REGULATIONS. DIVERSION CONTRARY TO U.S. LAW PROHIBITED.

FM DS Rev-D4 A426

ZONE	REV	DESCRIPTION	DATE	CHANGED BY	APPROVED
B		UPDATED PER ECO-14071	01/22/2025	HBAKKE	SRAUTUS

<p>Fairview Microwave an INFINITB brand</p> <p>Website: www.FairviewMicrowave.com Phone: 1.800.715.4396 1.972.649.6678</p>		<p>INTERPRET ALL DIMENSIONS AND TOLERANCES PER ASME Y14.5</p> <p>SCALE: NONE</p> <p>SHEET: 1 OF 1</p>
<p>DESCRIPTION: SNAP-ON BMA JACK TO SNAP-ON BMA JACK CABLE FM-SR086TBJ COAX</p>		
SIZE: A	CAGE CODE: 3FKR5	ITEM NO.: FMCA1561
DRAWN BY: HBAKKE	REV: B	

UNLESS OTHERWISE SPECIFIED, LEADING DIMENSIONS ARE IN INCHES AND TRAILING DIMENSIONS ARE IN MILLIMETERS.

TOLERANCES:
 .X = ±.2 (5)
 .XX = ±.02 (0.5)
 .XXX = ±.005 (0.13)

FRACTIONS: ± 1/32
 ANGLES ± 1°

CABLE LENGTH TOLERANCES:
 >12 (305) ≤ 60 (1524) = ±.1 (25) / -0
 >60 (1524) ≤ 120 (3048) = ±.4 (102) / -0
 >120 (3048) ≤ 300 (7620) = ±.6 (152) / -0

ALL DIMENSIONS ARE FOR REFERENCE ONLY. UNDIMENSIONED NON-CRITICAL FEATURES MAY VARY IN SIZE AND LOCATION. COLORS MAY VARY.