

Low PIM N Male to RA 7/16 DIN Male Plenum Cable SPP-250-LLPL Coax in 24 Inch

Low PIM N male to RA 7/16 DIN male part number FMCA1311 from Fairview Microwave is in-stock and ships same day. This low PIM N male to RA 7/16 DIN male plenum coax cable assembly offers low PIM performance to support Distributed Antenna Systems (DAS), in-building wireless and other emerging mobile communication networks. The SPP-250-LLPL coax cable carries a UL910 rating for plenum installations. Each low PIM N male to RA 7/16 DIN male cable assembly is marked with its actual Passive Intermodulation (PIM) test result.

Fairview's FMCA1311 datasheet specifications and outline drawing are shown below in this PDF. Our extensive offering of low PIM cable assemblies, low-PIM adapters and other RF products support multi-carrier system prototype, cable installations and PIM testing applications.

Electrical Specifications

Description	Min	Typ	Max	Units
Frequency Range	DC		6	GHz
VSWR			1.35:1	
Velocity of Propagation		76		%
RF Shielding	100			dB
Passive Intermodulation		-165	-160	dBc
Capacitance		26.7 [87.6]		pF/ft [pF/m]
Operating Voltage (AC)			750	Vrms

Performance by Frequency

Description	F1	F2	F3	F4	F5	Units
Frequency	0.5	1	2	4	6	GHz
Insertion Loss (Max.)	0.48	0.51	0.56	0.64	0.7	dB
VSWR (Max.)	1.25:1	1.25:1	1.25:1	1.35:1	1.35:1	
Power Handling (Max.)	850	507	460	370	250	W

Electrical Specification Notes:

Values at 25°C, sea level

PIM test results vary between cables

The Insertion Loss data above is based on the performance specifications of the coax used in this assembly. The Insertion Loss includes an estimated loss of 0.4dB of connector loss.

Mechanical Specifications

Cable Assembly

Length* 24 in [609.6 mm]

Cable

Cable Type SPP-250-LLPL
 Inner Conductor Type Solid
 Inner Conductor Material and Plating Copper, Bare
 Dielectric Type PTFE



Configuration:

- N Male
- 7/16 DIN Male Right Angle
- SPP-250-LLPL

Features:

- Max Frequency 6 GHz
- Low PIM: -160 dBc Max
- Shielding Effectivity > 100 dB
- 76% Phase Velocity
- FEP Jacket
- Low PIM < -160 dBc
- IP67 (Mated)
- Low Loss with Excellent VSWR
- PIM Test Results Marked on Each Cable
- UL910 Plenum Rated Cable
- Extremely Flexible and Lightweight

Applications:

- General Purpose
- Laboratory Use
- Low PIM Applications
- DAS
- Mobile Networks
- In-Building Wireless
- Small Cells
- PIM Testing

Cable Diagram:

Fairview Microwave
 301 Leora Ln., Suite 100
 Lewisville, TX 75056
 Tel: 1-800-715-4396 / (972) 649-6678
 Fax: (972) 649-6689
www.fairviewmicrowave.com
sales@fairviewmicrowave.com

Number of Shields	1
Shield Layer 1	Annular Corrugated Copper Tube
Outer Conductor Diameter	0.25 in [6.35 mm]
Jacket Material	FEP
Jacket Diameter	0.28 in [7.11 mm]
One Time Minimum Bend Radius	1.5 in [38.1 mm]

Connectors

Description	Connector 1	Connector 2
Type	N Male	7/16 DIN Male
Impedance	50 Ohms	50 Ohms
Contact Material & Plating	Brass, Silver	Brass, Silver
Dielectric Type	PTFE	PTFE
Body Material & Plating	Brass, Tri-Metal	Brass, Tri-Metal
Seal Gasket Material	Silicone Rubber	Silicone Rubber

Environmental Specifications
Temperature

Operating Range	-55 to +125 deg C
Plenum Rating	UL910

Compliance Certifications (see [product page](#) for current document)

Plotted and Other Data

Notes:

- Values at 25°C, sea level.

How to Order

Part Number Configuration:

FMCA1311 - xx uu

 cm = Centimeters
 <blank> = Inches

Length

 Example: FMCA1311-12 = 12 inches long cable
 FMCA1311-100cm = 100 cm long cable

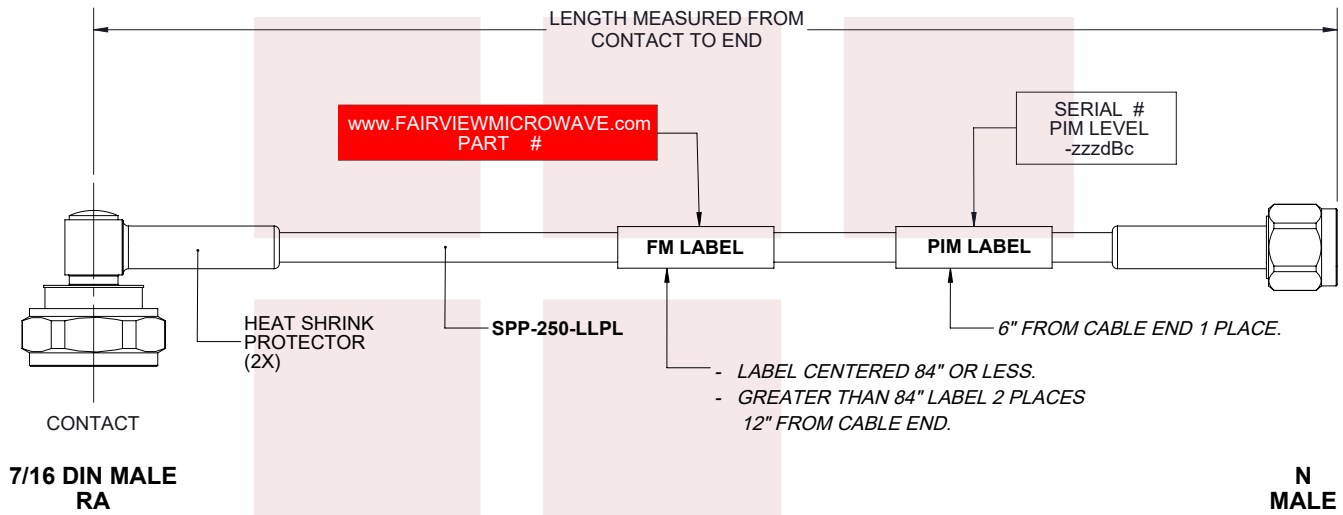
Low PIM N Male to RA 7/16 DIN Male Plenum Cable SPP-250-LLPL Coax in 24 Inch from Fairview Microwave has same day shipment for domestic and International orders. Our RF, microwave and millimeter wave products maintain a 99% availability and are part of the broadest selection in the industry.

Click the following link to obtain additional part information: [Low PIM N Male to RA 7/16 DIN Male Plenum Cable SPP-250-LLPL Coax in 24 Inch FMCA1311-24](#)

URL: <https://www.fairviewmicrowave.com/n-male-ra-7-16-male-cable-spp250llpl-fmca1311-24-p.aspx>

The information contained in this document is accurate to the best of our knowledge and representative of the part described herein. It may be necessary to make modifications to the part and/or the documentation of the part, in order to implement improvements. Fairview Microwave reserves the right to make such changes as required. Unless otherwise stated, all specifications are nominal. Fairview Microwave does not make any representation or warranty regarding the suitability of the part described herein for any particular purpose, and Fairview Microwave does not assume any liability arising out of the use of any part or documentation.





STANDARD TOLERANCES

.X	±0.2
.XX	±0.01
.XXX	±0.005

*STANDARD TOLERANCES APPLY ONLY TO DIMENSIONS IN INCHES



NOTES:
1. UNLESS OTHERWISE SPECIFIED ALL DIMENSIONS ARE NOMINAL.
2. ALL SPECIFICATIONS ARE SUBJECT TO CHANGE WITHOUT NOTICE AT ANY TIME.
3. DIMENSIONS ARE IN INCHES [mm].

TITLE Low PIM N Male to RA 7/16 DIN Male Plenum Cable SPP-250-LLPL Coax in 24 Inch	DWG NO FMCA1311		CAGE CODE 3FKR5			
	CAD FILE 12/05/18	SHEET 1 OF 1	SCALE N/A	SIZE A	7361	