

SMA Female Bulkhead to SMA Male Cable FM141FLEX Coax in 36 Inch with LF Solder

The SMA female bulkhead to SMA male 36 inch cable using FM141FLEX coax, part number FMCA1038-36, from Fairview Microwave is in-stock and ships same day. This Fairview SMA to SMA cable assembly has a female to male gender configuration with 50 ohm flexible FM141FLEX coax. Fairview Microwave's flexible RF cable assemblies are ideal for applications where tight bends and continual flexure are required. The FMCA1038-36 SMA female to SMA male cable assembly operates to 27 GHz. Our RF cable assembly with SMA bulkhead interface allows designers to create external connections on their product enclosures, and can be used in a variety of other rack mount and panel mount applications. The double shielding of this Fairview cable assembly provides excellent shielding effectiveness of better than 90 dB. Our new series of flexible cables use high performance FM141FLEX coax and are terminated with a new low profile connector design. These high performance flexible cables are an ideal choice for many applications including in-rack RF devices where tight bends and continual flexure might be required. Our FM141FLEX is a flexible coax alternative to semi-rigid coax and has a solid PTFE resulting in a 69.5% phase velocity. This series features a smooth wall formed by the braid-over-spiral-ribbon design and has similar performance to a solid wall RG402 semi-rigid RG402 cable.

These FM141FLEX cables are similar to our existing SCA1814 cables. The heavier duty SCA1814 test cables have similar electrical performance, but include a heavy duty strain relief mechanism and extra booting material as well as a thick wall SMA connector to increase the ruggedness of the SCA1814 cables for use in more demanding test environments.

Custom versions of most RF cable assemblies can be built and shipped same day. Custom cable assembly lengths can be obtained by specifying the desired length on the web site at time of order or by contacting a sales representative. Other RF cable assembly value added services including connector orientation or clocking, heat shrink booting and labeling are also available. RF testing can also be performed to document the electrical performance of your cable assembly.

Electrical Specifications

Description	Min	Typ	Max	Units
Frequency Range	DC		27	GHz
VSWR			1.4:1	
Return Loss			15.56	dB
Velocity of Propagation		69.5		%
RF Shielding	90			dB
Group Delay		1.44 [4.72]		ns/ft [ns/m]
Capacitance		29.4 [96.46]		pF/ft [pF/m]
Operating Voltage (AC)			250	V _{rms}

Performance by Frequency

Description	F1	F2	F3	F4	F5	Units
Frequency	3	6	12	18	27	GHz
Insertion Loss (Max.)	0.9	1.32	1.97	2.5	3.05	dB



Configuration:

- SMA Female Bulkhead
- SMA Male
- FM141FLEX

Features:

- Max Frequency 27 GHz
- Shielding Effectivity > 90 dB
- 69.5% Phase Velocity
- Double Shielded
- FEP Jacket
- 500 Mating Cycles
- Low Profile Right Angle SMA Design operates to 27 GHz
Typical Right Angle SMA VSWR less than 1.30:1 to 27 GHz
Shielding effectivity > 90dB
One time minimum bend radius: 0.4 inch

Applications:

- General Purpose
- Laboratory Use
- High Performance RF equipment interconnect
- Flexible in cabinet or in the rack requirements
- Inside the box RF routing
- General purpose lighter duty lab use

Fairview Microwave
 301 Leora Ln., Suite 100
 Lewisville, TX 75056
 Tel: 1-800-715-4396 / (972) 649-6678
 Fax: (972) 649-6689
www.fairviewmicrowave.com
sales@fairviewmicrowave.com

VSWR (Max.)	1.12:1	1.2:1	1.25:1	1.35:1	1.4:1
Power Handling (Max.)	215	150	105	88	W

Mechanical Specifications

Cable Assembly

Length*	36 in [914.4 mm]
Weight	0.118 lbs [53.52 g]

Cable

Cable Type	FM141FLEX
Impedance	50 Ohms
Inner Conductor Type	Solid
Inner Conductor Material and Plating	Copper Clad Steel, Silver
Dielectric Type	PTFE
Number of Shields	2
Shield Layer 1	Silver Plated Copper Tape
Shield Layer 2	Silver Plated Copper Braid
Outer Conductor 1 Material and Plating	Silver Plated Copper Tape
Outer Conductor 2 Material and Plating	Silver Plated Copper Braid
Jacket Material	FEP
Jacket Diameter	0.163 in [4.14 mm]
One Time Minimum Bend Radius	0.4 in [10.16 mm]
Repeated Minimum Bend Radius	1.58 in [40.13 mm]

Connectors

Description	Connector 1	Connector 2
Type	SMA Female	SMA Male
Mount Method	Bulkhead	
Impedance	50 Ohms	50 Ohms
Mating Cycles	500	500
Contact Material & Plating	Beryllium Copper, Gold	Brass, Gold
Dielectric Type	PTFE	PTFE
Body Material & Plating	Stainless Steel, Gold	Stainless Steel, Gold
Coupling Nut Material & Plating		Passivated Stainless Steel
Hex Size		5/16 Inch
Seal Gasket Material	Silicon	

Environmental Specifications

Temperature

Operating Range	-40 to +150 deg C
-----------------	-------------------

Compliance Certifications (see [product page](#) for current document)

Plotted and Other Data

Notes:

How to Order

Part Number Configuration:

FMCA1038 - xx uu



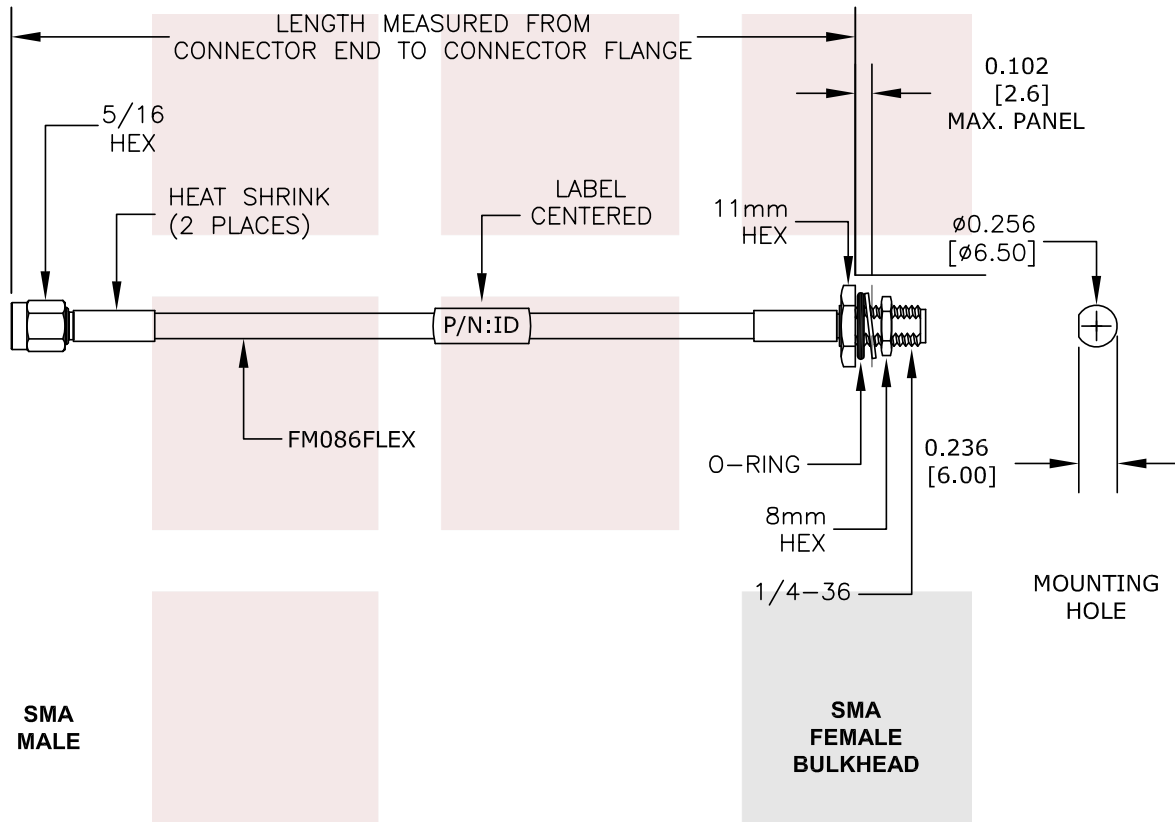
Example: FMCA1038-12 = 12 inches long cable
FMCA1038-100cm = 100 cm long cable

SMA Female Bulkhead to SMA Male Cable FM141FLEX Coax in 36 Inch with LF Solder from Fairview Microwave has same day shipment for domestic and International orders. Our RF, microwave and millimeter wave products maintain a 99% availability and are part of the broadest selection in the industry.

Click the following link to obtain additional part information: [SMA Female Bulkhead to SMA Male Cable FM141FLEX Coax in 36 Inch with LF Solder FMCA1038-36](https://www.fairviewmicrowave.com/sma-female-sma-male-cable-fm141flex-coax-fmca1038-36-p.aspx)

URL: <https://www.fairviewmicrowave.com/sma-female-sma-male-cable-fm141flex-coax-fmca1038-36-p.aspx>

The information contained in this document is accurate to the best of our knowledge and representative of the part described herein. It may be necessary to make modifications to the part and/or the documentation of the part, in order to implement improvements. Fairview Microwave reserves the right to make such changes as required. Unless otherwise stated, all specifications are nominal. Fairview Microwave does not make any representation or warranty regarding the suitability of the part described herein for any particular purpose, and Fairview Microwave does not assume any liability arising out of the use of any part or documentation.



FAIRVIEW MICROWAVE INC.
ALLEN, TX 75013 WWW.FAIRVIEWMICROWAVE.COM

NOTES:
1. UNLESS OTHERWISE SPECIFIED ALL DIMENSIONS ARE NOMINAL.
2. ALL SPECIFICATIONS ARE SUBJECT TO CHANGE WITHOUT NOTICE AT ANY TIME.
3. DIMENSIONS ARE IN INCHES [mm].

TITLE
SMA Female Bulkhead to SMA Male Cable FM141FLEX
Coax in 36 Inch with LF Solder

DWG NO **FMCA1038** CAGE CODE **3FKR5**

CAD FILE 041015 SHEET SCALE N/A SIZE A 150