

RA SMP Female to SMP Female Cable FM-F086 Coax



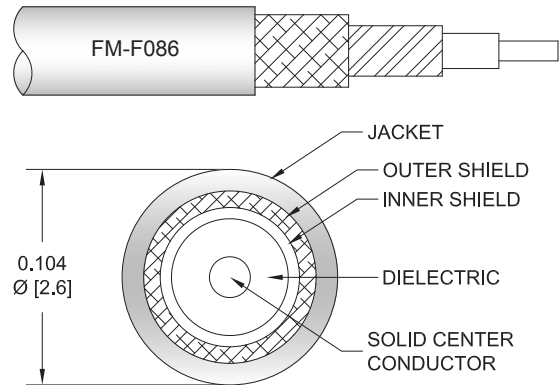
FMC2122085/SP

Configuration

- Connector 1: SMP Female Right Angle
- Connector 2: SMP Female
- Cable Type: FM-F086
- Coax Flex Type: Flexible

Features

- Max Frequency 18 GHz
- 70.6% Phase Velocity
- Double Shielded
- FEP Jacket



Applications

- General Purpose
- Laboratory Use

Description

The RA SMP female to SMP female cable using FM-F086 coax, part number FMC2122085/SP, from Fairview Microwave is in-stock and ships same day. This Fairview SMP to SMP cable assembly has a female to female gender configuration with 50 ohm flexible FM-F086 coax. Fairview Microwave's flexible RF cable assemblies are ideal for applications where tight bends and continual flexure are required. The FMC2122085/SP SMP female to SMP female cable assembly operates to 18 GHz. The right angle SMP interface on the FM-F086 cable allows for easier connections in tight spaces. The double shielding of this Fairview cable assembly provides excellent shielding effectiveness.

Custom versions of most RF cable assemblies can be built and shipped same day. Custom cable assembly lengths can be obtained by specifying the desired length on the web site at time of order or by contacting a sales representative. Other RF cable assembly value added services including connector orientation or clocking, heat shrink booting and labeling are also available. RF testing can also be performed to document the electrical performance of your cable assembly.

Electrical Specifications

Description	Minimum	Typical	Maximum	Units
Frequency Range	DC		18	GHz
VSWR			1.4:1	
Velocity of Propagation		70.6		%
Capacitance		28.95 [94.98]		pF/ft [pF/m]

Specifications by Frequency

RA SMP Female to SMP Female Cable FM-F086 Coax



FMC2122085/SP

Part Number	Length	Description	F1	F2	F3	F4	F5	Units	Weight (lbs)
			Frequency					MHz	
FMC2122085/SP	Custom Lengths Available	Insertion Loss (Typ.)	0.19	0.28	0.43	0.69	0.951	dB/ft	
			0.63	0.91	1.41	2.25	3.13	dB/m	
FMC2122085/SP-6	6 inch	Insertion Loss (Typ.)	0.4	0.44	0.52	0.65	0.78	dB	0.017
FMC2122085/SP-12	12 inch	Insertion Loss (Typ.)	0.5	0.58	0.73	0.99	1.26	dB	0.023
FMC2122085/SP-24	24 inch	Insertion Loss (Typ.)	0.69	0.86	1.16	1.67	2.21	dB	0.037
FMC2122085/SP-36	36 inch	Insertion Loss (Typ.)	0.88	1.14	1.59	2.36	3.16	dB	0.05
FMC2122085/SP-48	48 inch	Insertion Loss (Typ.)	1.07	1.41	2.02	3.04	4.11	dB	0.063

The insertion loss data for the base model does not include loss due to the connectors. Each length includes insertion loss due to the connectors.

Loss due to Connector 1: 0.2 dB
 Loss due to Connector 2: 0.1 dB
 Base Weight: 0.023 pounds
 Additional Weight per Inch: 0.00109 pounds

Mechanical Specifications

Cable Assembly

Weight 0.023 lbs [10.43 g]

Cable

Cable Type FM-F086
 Impedance 50 Ohms
 Inner Conductor Type Solid
 Inner Conductor Material and Plating Copper, Silver
 Dielectric Type PTFE
 Number of Shields 2
 Shield Layer 1 Silver Plated Copper Tape
 Shield Layer 2 Silver Plated Copper Braid
 Jacket Material FEP, Blue
 Jacket Diameter 0.104 in [2.64 mm]

Connectors

Description	Connector 1	Connector 2
Type	SMP Female Right Angle	SMP Female
Specification	MIL-STD-348	MIL-STD-348A
Impedance	50 Ohms	50 Ohms
Configuration	Right Angle	Straight
Contact Material and Plating	Beryllium Copper, Gold	Beryllium Copper, Gold
Contact Plating Specification	MIL-G-45204	30µ in. minimum
Dielectric Type	PTFE	PTFE
Outer Conductor Material and Plating	Beryllium Copper, Gold	Beryllium Copper, Gold
Outer Conductor Plating Specification	MIL-G-45204	3 µin minimum

RA SMP Female to SMP Female Cable FM-F086 Coax



FMC2122085/SP

Environmental Specifications

Operating Range Temperature -55 to +125 deg C

Compliance Certifications (see [product page](#) for current document)

Plotted and Other Data

Notes:

Typical Performance Data

How to Order

Part Number Configuration: **FMC2122085/SP - xx uu**

_____ Unit of Measure:
 cm = Centimeters
 <blank> = Inches
 _____ Length
 _____ Base Number

Example: FMC2122085/SP-12 = 12 inches long cable
 FMC2122085/SP-100cm = 100 cm long cable

RA SMP Female to SMP Female Cable FM-F086 Coax from Fairview Microwave is in-stock and available to ship same-day. All of our RF/microwave products are available off-the-shelf from our ISO 9001:2008 certified facilities in Lewisville, Texas. Fairview Microwave is RF on-demand.

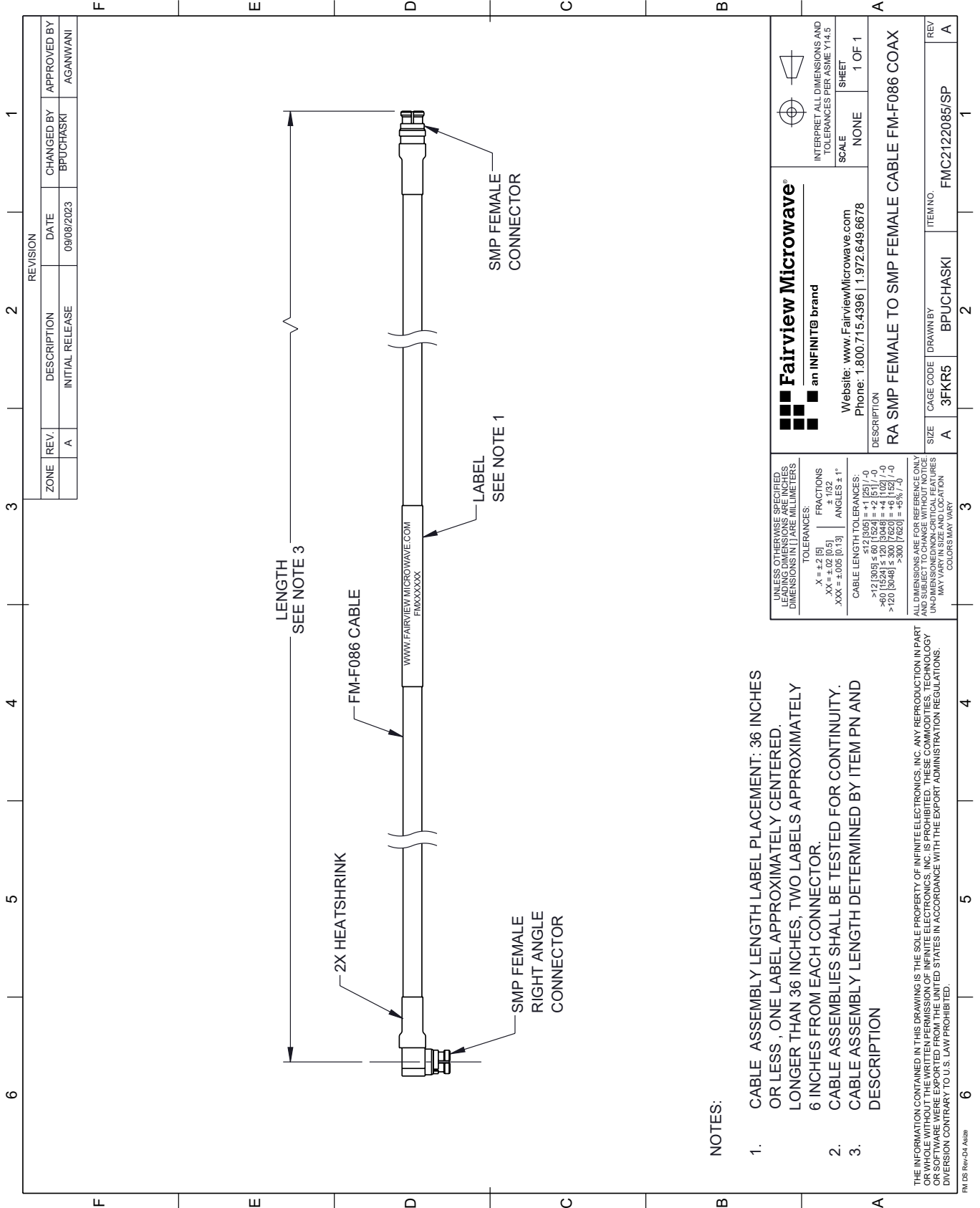
For additional information on this product, please click the following link: [RA SMP Female to SMP Female Cable FM-F086 Coax FMC2122085/SP](#)

URL: <https://www.fairviewmicrowave.com/ra-smp-female-to-smp-female-cable-fm-f086-coax-fmc2122085-sp-p.aspx>

The information contained within this document is accurate to the best of our knowledge and representative of the part described herein. It may be necessary to make modifications to the part and/or the documentation of the part in order to implement improvements. Fairview Microwave reserves the right to make such changes as required. Unless otherwise stated, all specifications are nominal. Fairview Microwave does not make any representation or warranty regarding the suitability of the part described herein for any particular purpose, and Fairview Microwave does not assume liability arising out of the use of any part or document.

FMC2122085/SP CAD Drawing

RA SMP Female to SMP Female Cable FM-F086 Coax



REVISION		DATE	CHANGED BY	APPROVED BY
ZONE	REV.	DESCRIPTION	DATE	APPROVED BY
	A	INITIAL RELEASE	09/08/2023	BPUCHASKI
				AGANWANI

Fairview Microwave®
an INFINIT® brand

Website: www.FairviewMicrowave.com
Phone: 1.800.715.4396 | 1.972.649.6678

INTERPRET ALL DIMENSIONS AND TOLERANCES PER ASME Y14.5

SCALE: NONE
SHEET: 1 OF 1

UNLESS OTHERWISE SPECIFIED, LEADING DIMENSIONS ARE IN INCHES, DIMENSIONS IN [] ARE MILLIMETERS.

TOLERANCES:
 .X = ±.2 [5]
 .XX = ±.02 [0.5]
 .XXX = ±.005 [0.13]

FRACTIONS: ± 1/32
 ANGLES: ± 1°

CABLE LENGTH TOLERANCES:
 >12 [305] ≤ 60 [1524] = ±.1 [25] / -0
 >60 [1524] ≤ 120 [3048] = ±.4 [102] / -0
 >120 [3048] ≤ 300 [7620] = ±.8 [20] / -0

ALL DIMENSIONS ARE FOR REFERENCE ONLY. UNLESS OTHERWISE SPECIFIED, DIMENSIONS ARE IN INCHES. DIMENSIONS IN [] ARE MILLIMETERS. DIMENSIONS AND LOCATIONS MAY VARY IN SIZE AND LOCATION. COLORS MAY VARY.

NOTES:

- CABLE ASSEMBLY LENGTH LABEL PLACEMENT: 36 INCHES OR LESS, ONE LABEL APPROXIMATELY CENTERED. LONGER THAN 36 INCHES, TWO LABELS APPROXIMATELY 6 INCHES FROM EACH CONNECTOR.
- CABLE ASSEMBLIES SHALL BE TESTED FOR CONTINUITY.
- CABLE ASSEMBLY LENGTH DETERMINED BY ITEM PN AND DESCRIPTION

THE INFORMATION CONTAINED IN THIS DRAWING IS THE SOLE PROPERTY OF INFINITE ELECTRONICS, INC. ANY REPRODUCTION IN PART OR WHOLE WITHOUT THE WRITTEN PERMISSION OF INFINITE ELECTRONICS, INC. IS PROHIBITED. THESE COMMODITIES, TECHNOLOGY OR SOFTWARE WERE EXPORTED FROM THE UNITED STATES IN ACCORDANCE WITH THE EXPORT ADMINISTRATION REGULATIONS. DIVERSION CONTRARY TO U.S. LAW PROHIBITED.

FM_DS Rev-D4 Alt3b