

Low Loss N Male to 7/16 DIN Female Bulkhead Cable LMR-LW600 Coax



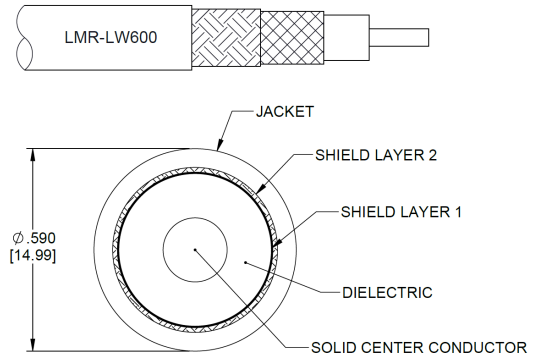
FMC01199

Configuration

- Connector 1: N Male
- Connector 2: 7/16 DIN Female Bulkhead
- Cable Type: LMR-LW600
- Coax Flex Type: Flexible

Features

- Max Frequency 6 GHz
- Shielding Effectivity > 90 dB
- 85% Phase Velocity
- Double Shielded
- PE Jacket



Applications

- General Purpose
- Laboratory Use

Description

The type N male to 7/16 DIN female bulkhead cable using LMR-LW600 coax, part number FMC01199, from Fairview Microwave is in-stock and ships same day. This Fairview type N to 7/16 DIN cable assembly has a male to female gender configuration with 50 ohm flexible LMR-LW600 coax. Fairview Microwave’s flexible RF cable assemblies are ideal for applications where tight bends and continual flexure are required. The FMC01199 type N male to 7/16 DIN female cable assembly operates to 6 GHz. Our RF cable assembly with 7/16 DIN bulkhead interface allows designers to create external connections on their product enclosures, and can be used in a variety of other rack mount and panel mount applications. The double shielding of this Fairview cable assembly provides excellent shielding effectiveness of better than 90 dB.

Custom versions of most RF cable assemblies can be built and shipped same day. Custom cable assembly lengths can be obtained by specifying the desired length on the web site at time of order or by contacting a sales representative. Other RF cable assembly value added services including connector orientation or clocking, heat shrink booting and labeling are also available. RF testing can also be performed to document the electrical performance of your cable assembly.

Electrical Specifications

Description	Minimum	Typical	Maximum	Units
Frequency Range	DC		6	GHz
VSWR			1.4:1	
Velocity of Propagation		85		%
RF Shielding	90			dB
Group Delay		1.17 [3.84]		ns/ft [ns/m]
Capacitance		23.4 [76.77]		pF/ft [pF/m]
Inductance		0.058 [0.19]		uH/ft [uH/m]
DC Resistance Inner Conductor		0.53 [1.74]		Ohms/1000ft [Ohms/Km]
DC Resistance Outer Conductor		4.4 [14.44]		Ohms/1000ft [Ohms/Km]

Low Loss N Male to 7/16 DIN Female
Bulkhead Cable LMR-LW600 Coax



FMC01199

Electrical Specifications

Description	Minimum	Typical	Maximum	Units
Jacket Spark			8,000	Vrms

Specifications by Frequency

Part Number	Length	Description	F1	F2	F3	F4	F5	Units	Weight (lbs)
			Frequency					MHz	
FMC01199	Custom Lengths Available	Insertion Loss (Typ.)	0.01	0.02	0.026	0.044	0.074	dB/ft	
			0.04	0.06	0.09	0.15	0.25	dB/m	
FMC01199-24	24 inch	Insertion Loss (Typ.)	0.23	0.24	0.26	0.29	0.35	dB	0.687
FMC01199-36	36 inch	Insertion Loss (Typ.)	0.24	0.26	0.28	0.34	0.43	dB	0.791
FMC01199-48	48 inch	Insertion Loss (Typ.)	0.25	0.27	0.31	0.38	0.5	dB	0.895
FMC01199-120	120 inch	Insertion Loss (Typ.)	0.32	0.37	0.46	0.64	0.94	dB	1.519
FMC01199-180	180 inch	Insertion Loss (Typ.)	0.38	0.46	0.59	0.86	1.31	dB	2.039

The insertion loss data for the base model does not include loss due to the connectors. Each length includes insertion loss due to the connectors.

Loss due to Connector 1:	0.1 dB
Loss due to Connector 2:	0.1 dB
Base Weight:	0.582 pounds
Additional Weight per Inch:	0.00867 pounds

Mechanical Specifications

Cable Assembly

Weight 0.582 lbs [263.99 g]

Cable

Cable Type	LMR-LW600
Impedance	50 Ohms
Inner Conductor Type	Solid
Inner Conductor Material and Plating	Copper
Dielectric Type	Foam PE
Number of Shields	2
Shield Layer 1	Aluminum Tape
Shield Layer 2	Aluminum
Jacket Material	PE, Black
Jacket Diameter	0.59 in [14.99 mm]
One Time Minimum Bend Radius	1.5 in [38.1 mm]
Repeated Minimum Bend Radius	6 in [152.4 mm]
Bending Moment	2.75 lbs-ft [3.73 N-m]
Flat Plate Crush	60 lbs/in [1.07 Kg/mm]
Tensile Strength	260 lbs [117.93 Kg]

Low Loss N Male to 7/16 DIN Female
Bulkhead Cable LMR-LW600 Coax



FMC01199

Connectors

Description	Connector 1	Connector 2
Type	N Male	7/16 DIN Female Bulkhead
Impedance	50 Ohms	50 Ohms
Configuration	Straight	Straight
Contact Material and Plating	Brass, Gold	Brass, Silver
Contact Plating Specification	50µ in. minimum	
Dielectric Type	PTFE	PTFE
Body Material and Plating	Brass, Tri-Metal	Brass, Tri-Metal
Body Plating Specification	100µ in. minimum	
Coupling Nut Material and Plating	Brass, Tri-Metal	
Coupling Nut Plating Specification	100µ in. minimum	
Hex Size	20.57 mm	
Torque	44 in-lbs 4.97 Nm	

Environmental Specifications

Operating Range Temperature -40 to +85 deg C

Compliance Certifications (see [product page](#) for current document)

Plotted and Other Data

Notes:

Low Loss N Male to 7/16 DIN Female Bulkhead Cable LMR-LW600 Coax

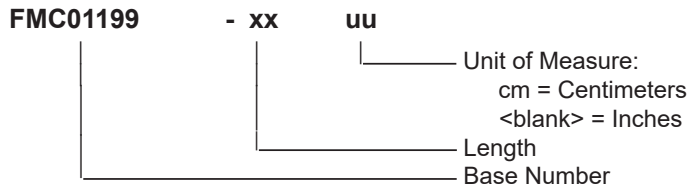


FMC01199

Typical Performance Data

How to Order

Part Number Configuration:



Example: FMC01199-12 = 12 inches long cable
FMC01199-100cm = 100 cm long cable

Low Loss N Male to 7/16 DIN Female Bulkhead Cable LMR-LW600 Coax from Fairview Microwave is in-stock and available to ship same-day. All of our RF/microwave products are available off-the-shelf from our ISO 9001:2008 certified facilities in Lewisville, Texas. Fairview Microwave is RF on-demand.

For additional information on this product, please click the following link: [Low Loss N Male to 7/16 DIN Female Bulkhead Cable LMR-LW600 Coax FMC01199](#)

URL: <https://www.fairviewmicrowave.com/low-loss-n-male-to-7-16-din-female-bulkhead-cable-lmr-lw600-coax-fmc01199-p.aspx>

The information contained within this document is accurate to the best of our knowledge and representative of the part described herein. It may be necessary to make modifications to the part and/or the documentation of the part in order to implement improvements. Fairview Microwave reserves the right to make such changes as required. Unless otherwise stated, all specifications are nominal. Fairview Microwave does not make any representation or warranty regarding the suitability of the part described herein for any particular purpose, and Fairview Microwave does not assume liability arising out of the use of any part or document.

FMC01199 CAD Drawing

Low Loss N Male to 7/16 DIN Female Bulkhead Cable LMR-LW600 Coax

