

N Male to SMA Male Cable FM-F141 Coax in 24 Inch with LF Solder



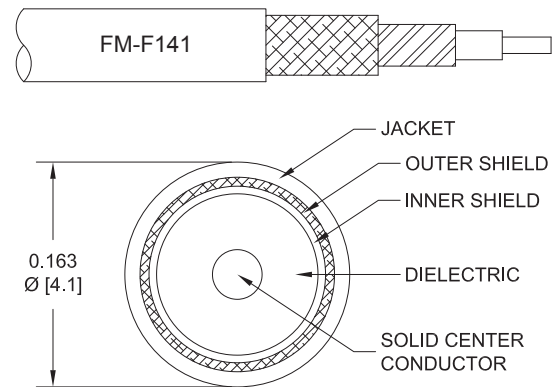
FMC0102141LF-24

Configuration

- Connector 1: N Male
- Connector 2: SMA Male
- Cable Type: FM-F141
- Coax Flex Type: Flexible

Features

- Max Frequency 10 GHz
- Shielding Effectivity > -110 dB
- 69.4% Phase Velocity
- Double Shielded
- FEP Jacket



Applications

- General Purpose
- Laboratory Use

Description

The type N male to SMA male 24 inch cable using FM-F141 coax, part number FMC0102141LF-24, from Fairview Microwave is in-stock and ships same day. This Fairview type N to SMA cable assembly has a male to male gender configuration with 50 ohm flexible FM-F141 coax. Fairview Microwave's flexible RF cable assemblies are ideal for applications where tight bends and continual flexure are required. The FMC0102141LF-24 type N male to SMA male cable assembly operates to 10 GHz. The double shielding of this Fairview cable assembly provides excellent shielding effectiveness of better than -110 dB.

Custom versions of most RF cable assemblies can be built and shipped same day. Custom cable assembly lengths can be obtained by specifying the desired length on the web site at time of order or by contacting a sales representative. Other RF cable assembly value added services including connector orientation or clocking, heat shrink booting and labeling are also available. RF testing can also be performed to document the electrical performance of your cable assembly.

Electrical Specifications

Description	Minimum	Typical	Maximum	Units
Frequency Range	DC		10	GHz
VSWR			1.35:1	
Velocity of Propagation		69.4		%
RF Shielding	-110			
Capacitance		29.4 [96.46]		pF/ft [pF/m]

Mechanical Specifications

Cable Assembly

Length	24 in [609.6 mm]
Width/Diameter	0.78 in [19.81 mm]
Weight	0.128 lbs [58.06 g]

N Male to SMA Male Cable FM-F141 Coax in 24 Inch with LF Solder



FMC0102141LF-24

Cable

Cable Type	FM-F141
Impedance	50 Ohms
Inner Conductor Type	Solid
Inner Conductor Material and Plating	Copper, Silver
Dielectric Type	PTFE
Number of Shields	2
Shield Layer 1	Silver Plated Copper Tape
Shield Layer 2	Silver Plated Copper Braid
Jacket Material	FEP, Blue
Jacket Diameter	0.163 in [4.14 mm]

Connectors

Description	Connector 1	Connector 2
Type	N Male	SMA Male
Impedance	50 Ohms	50 Ohms
Configuration	Straight	Straight
Color	SV	SV
Contact Material and Plating	Brass, Gold	Beryllium Copper, Gold
Contact Plating Specification	MIL-G-45204	
Dielectric Type	PTFE	PTFE
Body Material and Plating	Brass, Nickel	Stainless Steel, Gold
Body Plating Specification	QQ-N-290	
Hex Size		5/16 inch
Torque		8 in-lbs 0.9 Nm

Environmental Specifications

Operating Range Temperature	-65 to +125 deg C
-----------------------------	-------------------

Compliance Certifications (see [product page](#) for current document)

Plotted and Other Data

Notes:

N Male to SMA Male Cable FM-F141 Coax in 24 Inch with LF Solder



FMC0102141LF-24

Typical Performance Data

How to Order



Example: FMC0102141LF-12 = 12 inches long cable
FMC0102141LF-100cm = 100 cm long cable

N Male to SMA Male Cable FM-F141 Coax in 24 Inch with LF Solder from Fairview Microwave is in-stock and available to ship same-day. All of our RF/microwave products are available off-the-shelf from our ISO 9001:2008 certified facilities in Lewisville, Texas. Fairview Microwave is RF on-demand.

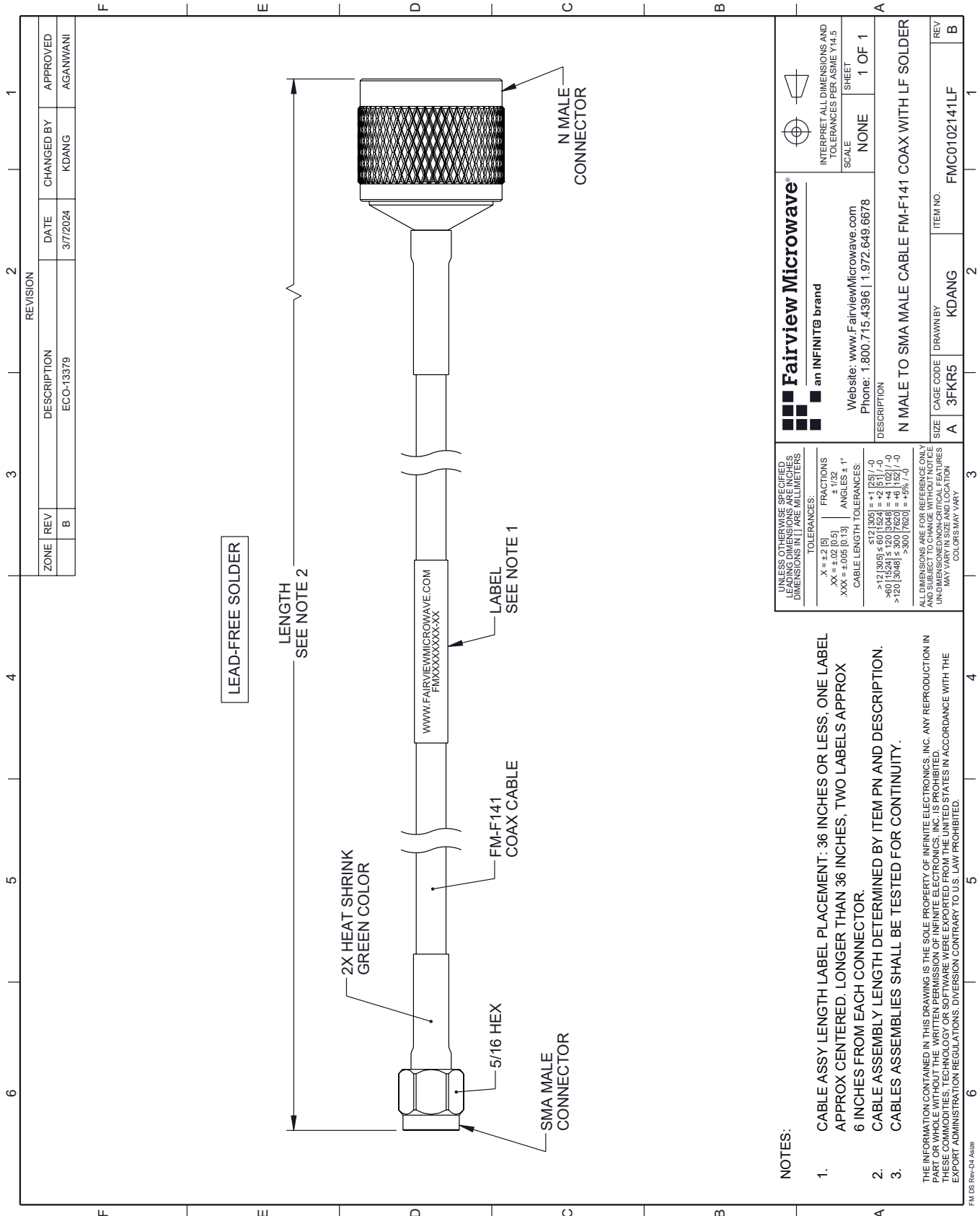
For additional information on this product, please click the following link: [N Male to SMA Male Cable FM-F141 Coax in 24 Inch with LF Solder FMC0102141LF-24](#)

URL: <https://www.fairviewmicrowave.com/n-male-sma-male-cable-fm-f141-coax-fmc0102141lf-24-p.aspx>

The information contained within this document is accurate to the best of our knowledge and representative of the part described herein. It may be necessary to make modifications to the part and/or the documentation of the part in order to implement improvements. Fairview Microwave reserves the right to make such changes as required. Unless otherwise stated, all specifications are nominal. Fairview Microwave does not make any representation or warranty regarding the suitability of the part described herein for any particular purpose, and Fairview Microwave does not assume liability arising out of the use of any part or document.

FMC0102141LF-24 CAD Drawing


N Male to SMA Male Cable FM-F141 Coax in 24 Inch with LF Solder



NOTES:

- CABLE ASSY LENGTH LABEL PLACEMENT: 36 INCHES OR LESS, ONE LABEL APPROX CENTERED. LONGER THAN 36 INCHES, TWO LABELS APPROX 6 INCHES FROM EACH CONNECTOR.
- CABLE ASSEMBLY LENGTH DETERMINED BY ITEM PN AND DESCRIPTION. CABLES ASSEMBLIES SHALL BE TESTED FOR CONTINUITY.

THE INFORMATION CONTAINED IN THIS DRAWING IS THE SOLE PROPERTY OF INFINITE ELECTRONICS, INC. ANY REPRODUCTION IN PART OR WHOLE WITHOUT THE WRITTEN PERMISSION OF INFINITE ELECTRONICS, INC. IS PROHIBITED. THESE COMMODITIES, TECHNOLOGY OR SOFTWARE WERE EXPORTED FROM THE UNITED STATES IN ACCORDANCE WITH THE EXPORT ADMINISTRATION REGULATIONS. DIVERSION CONTRARY TO U.S. LAW PROHIBITED.

UNLESS OTHERWISE SPECIFIED LEADING DIMENSIONS ARE IN INCHES DIMENSIONS IN [] ARE MILLIMETERS		 Fairview Microwave an INFINIT [®] brand	
TOLERANCES: .X = ±.2 [5] .XX = ±.02 [0.5] .XXX = ±.005 [0.13]		FRACTIONS ± 1/32 ANGLES ± 1°	
CABLE LENGTH TOLERANCES: <12 [305] ±.60 [1524] >12 [305] ±.60 [1524] ±.4 [1027] / -0 >20 [508] ±.30 [762] ±.5% [1.27]		Website: www.FairviewMicrowave.com Phone: 1.800.715.4396 1.972.649.6678	
ALL DIMENSIONS ARE FOR REFERENCE ONLY UNLESS OTHERWISE SPECIFIED UNDIMENSIONED NON-CRITICAL FEATURES MAY VARY IN SIZE AND LOCATION COLORS MAY VARY		INTERPRET ALL DIMENSIONS AND TOLERANCES PER ASME Y14.5 SCALE NONE SHEET 1 OF 1	
DESCRIPTION		CAGE CODE	ITEM NO.
N MALE TO SMA MALE CABLE FM-F141 COAX WITH LF SOLDER		3FKR5	FMC0102141LF

FM_DS Rev-D4_A4328