

N Male to N Male Cable LMR-100 Coax in 24 Inch with LF Solder

The type N male to type N male 24 inch cable using LMR-100 coax, part number FMC0101100LF-24, from Fairview Microwave is in-stock and ships same day. This Fairview type N to type N cable assembly has a male to male gender configuration with 50 ohm flexible LMR-100A-PVC coax. Fairview Microwave's flexible RF cable assemblies are ideal for applications where tight bends and continual flexure are required. The FMC0101100LF-24 type N male to type N male cable assembly operates to 3 GHz. The double shielding of this Fairview cable assembly provides excellent shielding effectiveness of better than 90 dB. General purpose flexible LMR-100 cable assemblies are built using high quality connectors and Times Microwaves cable. These cable assemblies are built using double shielded flexible cable providing excellent shielding greater than 90 dB. These general purpose cables are intended for, lab use, equipment interconnect and anywhere that lower insertion loss and greater shielding effectiveness than standard RG type cable is required.

Custom versions of most RF cable assemblies can be built and shipped same day. Custom cable assembly lengths can be obtained by specifying the desired length on the web site at time of order or by contacting a sales representative. Other RF cable assembly value added services including connector orientation or clocking, heat shrink booting and labeling are also available. RF testing can also be performed to document the electrical performance of your cable assembly.

Electrical Specifications

Description	Min	Typ	Max	Units
Frequency Range	DC		3	GHz
VSWR			1.35:1	
Velocity of Propagation		66		%
RF Shielding	90			dB
Capacitance		30.8 [101.05]		pF/ft [pF/m]
Inductance		0.077 [0.25]		uH/ft [uH/m]
DC Resistance Inner Conductor		81 [265.75]		Ω /1000ft [Ω /Km]
DC Resistance Outer Conductor		9.5 [31.17]		Ω /1000ft [Ω /Km]

Mechanical Specifications

Cable Assembly

Length*	24 in [609.6 mm]
Weight	0.16 lbs [72.57 g]

Cable

Cable Type	LMR-100A-PVC
Impedance	50 Ohms
Inner Conductor Type	Solid
Inner Conductor Material and Plating	Copper
Dielectric Type	PE (F)
Number of Shields	2
Shield Layer 1	Tinned Copper
Shield Layer 2	Aluminum Tape
Jacket Material	PE, Black
Jacket Diameter	0.195 in [4.95 mm]



Configuration:

- N Male
- N Male
- LMR-100A-PVC

Features:

- Max Frequency 3 GHz
- Shielding Effectivity > 90 dB
- 66% Phase Velocity
- Double Shielded
- PE Jacket
- N Male to N Male
- Times[®] LMR-100 Flexible Low Loss Coax
- Heat Shrink Booting
- VoP of 84%
- Custom lengths available

Applications:

- General Purpose
- Laboratory Use
- General Purpose
- Wireless Communications
- Lab Use
- Equipment Interconnect

Fairview Microwave
 301 Leora Ln., Suite 100
 Lewisville, TX 75056
 Tel: 1-800-715-4396 / (972) 649-6678
 Fax: (972) 649-6689
www.fairviewmicrowave.com
sales@fairviewmicrowave.com

Connectors

Description	Connector 1	Connector 2
Type	N Male	N Male
Configuration	Straight	Straight
Impedance	50 Ohms	50 Ohms
Contact Material & Plating	Beryllium Copper, Gold	Beryllium Copper, Gold
Dielectric Type	PTFE	PTFE
Body Material & Plating	Brass, Nickel	Brass, Nickel

Environmental Specifications
Temperature

Operating Range

-65 to +85 deg C

Compliance Certifications (see [product page](#) for current document)

Plotted and Other Data

Notes:

How to Order

Part Number Configuration:

FMC0101100LF - xx uu

cm = Centimeters

<blank> = Inches

Length

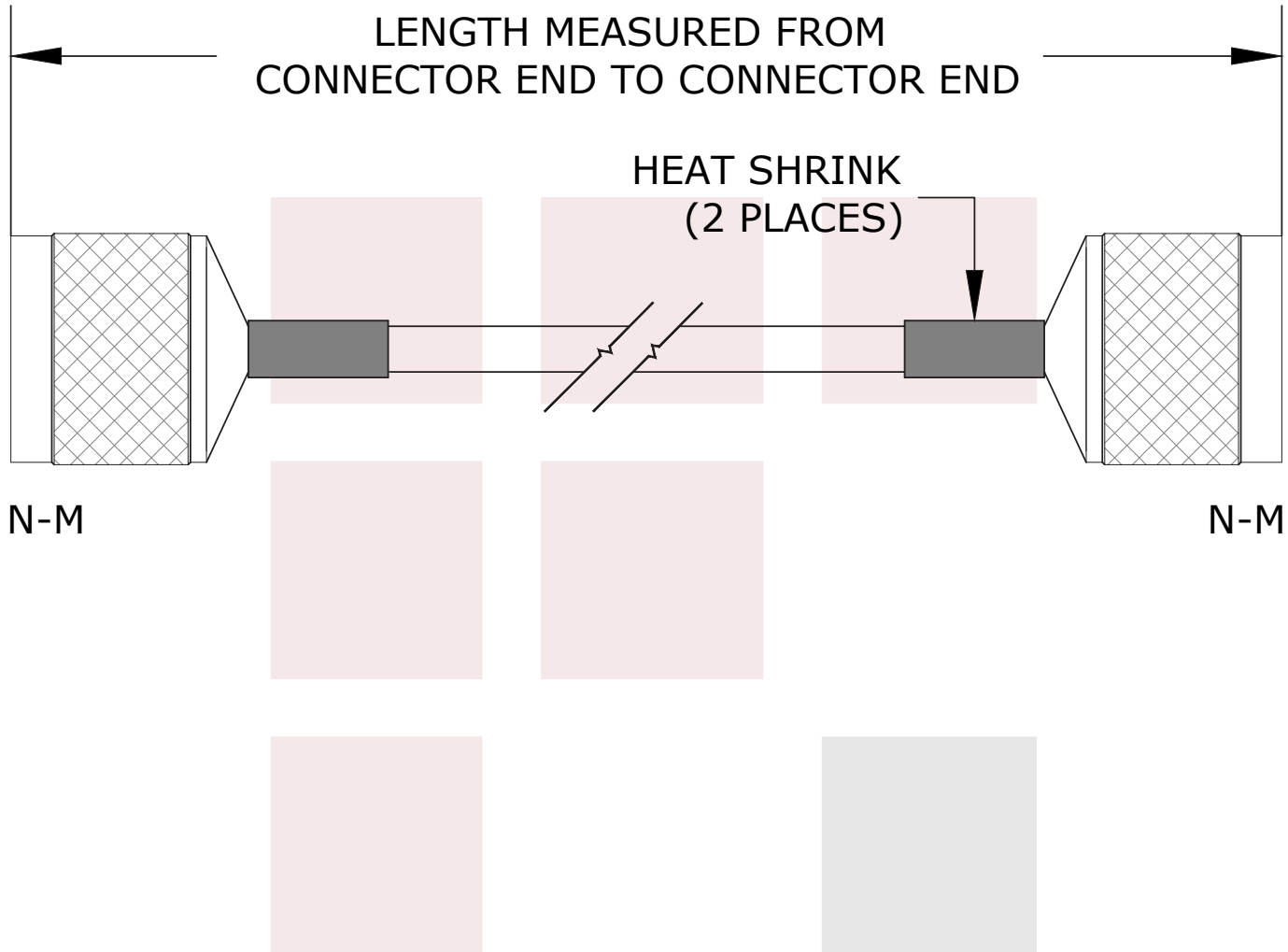
 Example: FMC0101100LF-12 = 12 inches long cable
 FMC0101100LF-100cm = 100 cm long cable

N Male to N Male Cable LMR-100 Coax in 24 Inch with LF Solder from Fairview Microwave has same day shipment for domestic and International orders. Our RF, microwave and millimeter wave products maintain a 99% availability and are part of the broadest selection in the industry.

Click the following link to obtain additional part information: [N Male to N Male Cable LMR-100 Coax in 24 Inch with LF Solder FMC0101100LF-24](#)

URL: <https://www.fairviewmicrowave.com/standard-n-male-n-male-cable-lmr100-coax-fmc0101100lf-24-p.aspx>

The information contained in this document is accurate to the best of our knowledge and representative of the part described herein. It may be necessary to make modifications to the part and/or the documentation of the part, in order to implement improvements. Fairview Microwave reserves the right to make such changes as required. Unless otherwise stated, all specifications are nominal. Fairview Microwave does not make any representation or warranty regarding the suitability of the part described herein for any particular purpose, and Fairview Microwave does not assume any liability arising out of the use of any part or documentation.



FAIRVIEW MICROWAVE INC.

ALLEN, TX 75013 WWW.FAIRVIEWMICROWAVE.COM

NOTES:

1. UNLESS OTHERWISE SPECIFIED ALL DIMENSIONS ARE NOMINAL.
2. ALL SPECIFICATIONS ARE SUBJECT TO CHANGE WITHOUT NOTICE AT ANY TIME.
3. DIMENSIONS ARE IN INCHES [mm].

TITLE	DWG NO		CAGE CODE	
	FMC0101100LF		3FKR5	
	CAD FILE	SHEET	SCALE	SIZE
	022506		N/A	A
				5568

N Male to N Male Cable LMR-100 Coax in 24 Inch with LF Solder