

## N Male to N Female Bulkhead Cable LMR-600 Coax in 60 Inch with Times Microwave components

The type N male to type N female bulkhead 60 inch cable using LMR-600 coax, part number FMC00375-60, from Fairview Microwave is in-stock and ships same day. This Fairview type N to type N cable assembly has a male to female gender configuration with 50 ohm flexible LMR-600 coax. Fairview Microwave's flexible RF cable assemblies are ideal for applications where tight bends and continual flexure are required. The FMC00375-60 type N male to type N female cable assembly operates to 5.8 GHz. Our RF cable assembly with type N bulkhead interface allows designers to create external connections on their product enclosures, and can be used in a variety of other rack mount and panel mount applications. The double shielding of this Fairview cable assembly provides excellent shielding effectiveness of better than 90 dB.

Custom versions of most RF cable assemblies can be built and shipped same day. Custom cable assembly lengths can be obtained by specifying the desired length on the web site at time of order or by contacting a sales representative. Other RF cable assembly value added services including connector orientation or clocking, heat shrink booting and labeling are also available. RF testing can also be performed to document the electrical performance of your cable assembly.

### Electrical Specifications

| Description                   | Min | Typ          | Max   | Units                            |
|-------------------------------|-----|--------------|-------|----------------------------------|
| Frequency Range               | DC  |              | 5.8   | GHz                              |
| VSWR                          |     |              | 1.4:1 |                                  |
| Velocity of Propagation       |     | 87           |       | %                                |
| RF Shielding                  | 90  |              |       | dB                               |
| Group Delay                   |     | 1.17 [3.84]  |       | ns/ft [ns/m]                     |
| Capacitance                   |     | 23.4 [76.77] |       | pF/ft [pF/m]                     |
| Inductance                    |     | 0.058 [0.19] |       | uH/ft [uH/m]                     |
| DC Resistance Inner Conductor |     | 0.53 [1.74]  |       | $\Omega$ /1000ft [ $\Omega$ /Km] |
| DC Resistance Outer Conductor |     | 1.2 [3.94]   |       | $\Omega$ /1000ft [ $\Omega$ /Km] |
| Jacket Spark                  |     |              | 8,000 | Vrms                             |

### Performance by Frequency

| Description           | F1   | F2   | F3   | F4   | F5   | Units |
|-----------------------|------|------|------|------|------|-------|
| Frequency             | 0.25 | 0.5  | 1    | 2.5  | 5.8  | GHz   |
| Insertion Loss (Typ.) | 0.26 | 0.28 | 0.33 | 0.42 | 0.56 | dB    |

#### Electrical Specification Notes:

The Insertion Loss data above is based on the performance specifications of the coax cable and connectors used in this assembly. The Insertion Loss includes an estimated insertion loss of 0.1 dB per connector.

### Mechanical Specifications

#### Cable Assembly

Length\* 60 in [152.4 cm]  
 Diameter 0.87 in [22.1 mm]



### Configuration:

- N Male
- N Female Bulkhead
- LMR-600

### Features:

- Max Frequency 5.8 GHz
- Shielding Effectivity > 90 dB
- 87% Phase Velocity
- Double Shielded
- PE Jacket

### Applications:

- General Purpose
- Laboratory Use
- Antenna Installations
- Land Mobile Radio & Other Communication Systems
- Cellular & Wi-Fi Systems

Fairview Microwave  
 301 Leora Ln., Suite 100  
 Lewisville, TX 75056  
 Tel: 1-800-715-4396 / (972) 649-6678  
 Fax: (972) 649-6689  
[www.fairviewmicrowave.com](http://www.fairviewmicrowave.com)  
[sales@fairviewmicrowave.com](mailto:sales@fairviewmicrowave.com)

**Cable**

|                                      |                      |
|--------------------------------------|----------------------|
| Cable Type                           | LMR-600              |
| Impedance                            | 50 Ohms              |
| Inner Conductor Type                 | Solid                |
| Inner Conductor Material and Plating | Copper Clad Aluminum |
| Dielectric Type                      | PE (F)               |
| Number of Shields                    | 2                    |
| Shield Layer 1                       | Aluminum Tape        |
| Shield Layer 2                       | Tinned Copper Braid  |
| Jacket Material                      | PE, Black            |
| Jacket Diameter                      | 0.59 in [14.99 mm]   |

|                              |                        |
|------------------------------|------------------------|
| One Time Minimum Bend Radius | 1.5 in [38.1 mm]       |
| Repeated Minimum Bend Radius | 6 in [152.4 mm]        |
| Bending Moment               | 2.75 lbs-ft [3.73 N-m] |
| Flat Plate Crush             | 60 lbs/in [1.07 Kg/mm] |
| Tensile Strength             | 350 lbs [158.76 Kg]    |

**Connectors**

| Description                     | Connector 1       | Connector 2            |
|---------------------------------|-------------------|------------------------|
| Type                            | N Male            | N Female               |
| Mount Method                    |                   | Bulkhead               |
| Impedance                       | 50 Ohms           | 50 Ohms                |
| Contact Material & Plating      | Brass, Gold       | Beryllium Copper, Gold |
| Contact Plating Spec.           | 50μ in. minimum   |                        |
| Dielectric Type                 | PTFE              | Teflon                 |
| Body Material & Plating         | Brass, Tri-Metal  | Brass, Silver          |
| Body Plating Spec.              | 100μ in. minimum  |                        |
| Coupling Nut Material & Plating | Brass, Tri-Metal  |                        |
| Coupling Nut Plating Spec.      | 100μ in. minimum  |                        |
| Hex Size                        | 20.57 mm          |                        |
| Torque                          | 44 in-lbs 4.97 Nm |                        |

**Mechanical Specification Notes:**

\*All cable assemblies have a length tolerance of 1.5% or ± 3/8", whichever is greater.

**Environmental Specifications**
**Temperature**

|                 |                  |
|-----------------|------------------|
| Operating Range | -40 to +85 deg C |
| Storage Range   | -70 to +85 deg C |

**Compliance Certifications** (see [product page](#) for current document)

**Plotted and Other Data**

Notes:

**How to Order**

Part Number Configuration:

**FMC00375 - xx uu**



Example: FMC00375-12 = 12 inches long cable  
FMC00375-100cm = 100 cm long cable

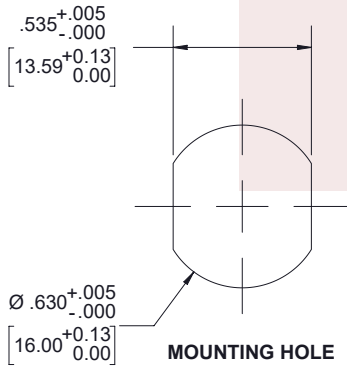
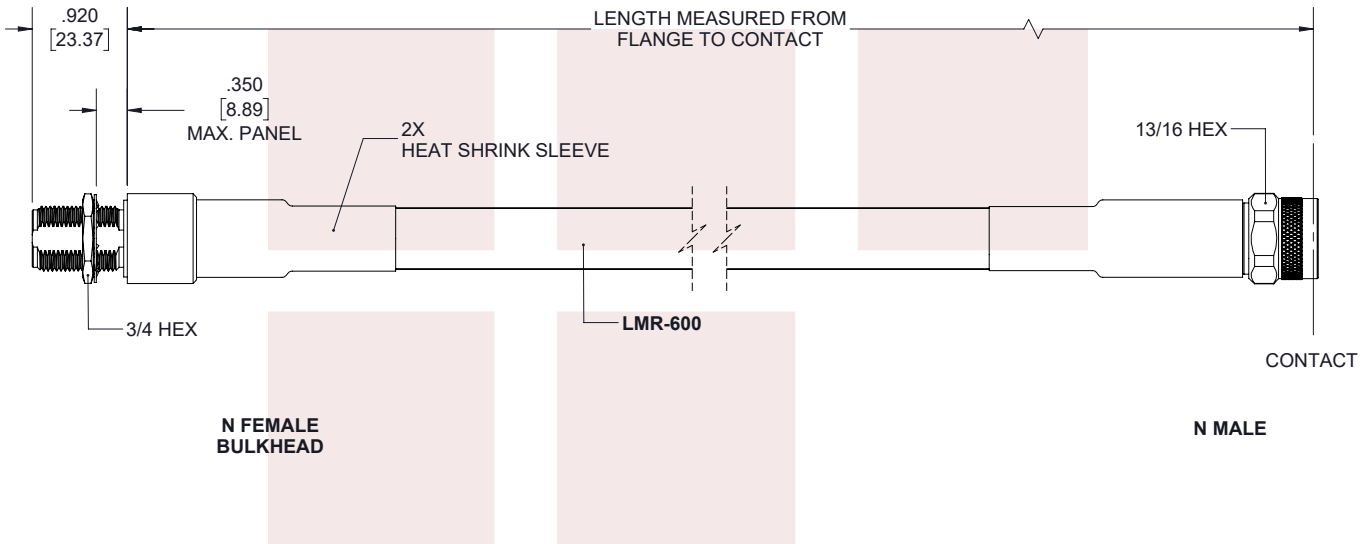
N Male to N Female Bulkhead Cable LMR-600 Coax in 60 Inch with Times Microwave components from Fairview Microwave has same day shipment for domestic and International orders. Our RF, microwave and fiber optic products maintain a 99% availability and are part of the broadest selection in the industry.

Click the following link to obtain additional part information: [N Male to N Female Bulkhead Cable LMR-600 Coax in 60 Inch with Times Microwave components FMC00375-60](#)

URL: <https://www.fairviewmicrowave.com/n-male-n-female-cable-lmr600-coax-fmc00375-60-p.aspx>

The information contained in this document is accurate to the best of our knowledge and representative of the part described herein. It may be necessary to make modifications to the part and/or the documentation of the part, in order to implement improvements. Fairview Microwave reserves the right to make such changes as required. Unless otherwise stated, all specifications are nominal. Fairview Microwave does not make any representation or warranty regarding the suitability of the part described herein for any particular purpose, and Fairview Microwave does not assume any liability arising out of the use of any part or documentation.

| REVISIONS |                 |           |          |
|-----------|-----------------|-----------|----------|
| REV.      | DESCRIPTION     | DATE      | APPROVED |
| A         | INITIAL RELEASE | 1/28/2020 | S.ELLIS  |



THESE COMMODITIES, TECHNOLOGY OR SOFTWARE WERE EXPORTED FROM THE UNITED STATES IN ACCORDANCE WITH THE EXPORT ADMINISTRATION REGULATIONS. DIVERSION CONTRARY TO U.S. LAW PROHIBITED.

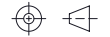
TITLE  
N Male to N Female Bulkhead Cable LMR-600 Coax in 60 Inch with Times Microwave components

UNLESS OTHERWISE SPECIFIED LEADING DIMENSIONS ARE INCHES  
DIMENSIONS IN [ ] ARE MILLIMETERS

TOLERANCES: CABLE LENGTH (L) TOLERANCES:

|                    |             |   |
|--------------------|-------------|---|
| .X = ±.2 [5.08]    | FRACTIONS   | L ≤ 12 [305] = +1 [25] / -0                 |
| .XX = ±.02 [.51]   | ± 1/32      | 12 [305] < L ≤ 60 [1524] = +2 [51] / -0     |
| .XXX = ±.005 [.13] | ANGLES ± 1° | 60 [1524] < L ≤ 120 [3048] = +4 [102] / -0  |
|                    |             | 120 [3048] < L ≤ 300 [7620] = +6 [152] / -0 |
|                    |             | 300 [7620] < L = +5%L / -0                  |

THIRD-ANGLE PROJECTION



THE INFORMATION AND DESIGN IN THIS DOCUMENT IS THE PROPERTY OF FAIRVIEW MICROWAVE CORPORATION. ALL RIGHTS RESERVED.

SHEET 1 OF 1

ALL DIMENSIONS SHOWN ARE FOR REFERENCE ONLY.

SCALE N/A

|           |                    |                    |                      |          |
|-----------|--------------------|--------------------|----------------------|----------|
| SIZE<br>A | CAGE CODE<br>3FKR5 | DRAWN BY<br>K.DANG | ITEM NO.<br>FMC00375 | REV<br>A |
|-----------|--------------------|--------------------|----------------------|----------|

T-Rev.D