

Low Loss TNC Female Bulkhead to RA MMCX Plug Cable RG174 Coax in 36 Inch

The TNC female bulkhead to RA MMCX plug 36 inch cable using RG174 coax, part number FMC00334-36, from Fairview Microwave is in-stock and ships same day. This Fairview TNC to MMCX cable assembly has a female to plug gender configuration with 50 ohm flexible RG174 coax. Fairview Microwave's flexible RF cable assemblies are ideal for applications where tight bends and continual flexure are required. The FMC00334-36 TNC female to MMCX plug cable assembly operates to 1 GHz. The right angle MMCX interface on the RG174 cable allows for easier connections in tight spaces. Our RF cable assembly with TNC bulkhead interface allows designers to create external connections on their product enclosures, and can be used in a variety of other rack mount and panel mount applications.

Custom versions of most RF cable assemblies can be built and shipped same day. Custom cable assembly lengths can be obtained by specifying the desired length on the web site at time of order or by contacting a sales representative. Other RF cable assembly value added services including connector orientation or clocking, heat shrink booting and labeling are also available. RF testing can also be performed to document the electrical performance of your cable assembly.

Electrical Specifications

Description	Min	Typ	Max	Units
Frequency Range	DC		1,000	MHz
VSWR			1.4:1	
Velocity of Propagation		66		%
Capacitance		31.08 [101.97]		pF/ft [pF/m]

Performance by Frequency

Description	F1	F2	F3	F4	F5	Units
Frequency	50	100	250	500	1,000	MHz
Insertion Loss (Typ.)	0.44	0.55	0.71	0.95	1.25	dB

Electrical Specification Notes:

The Insertion Loss data above is based on the performance specifications of the coax cable and connectors used in this assembly. The Insertion Loss includes an estimated insertion loss of 0.1 dB for the straight connector and 0.2 dB for the right angle connector.

Mechanical Specifications

Cable Assembly

Length* 36 in [914.4 mm]
 Diameter 0.68 in [17.27 mm]

Cable

Cable Type RG174
 Impedance 50 Ohms
 Inner Conductor Type Stranded
 Inner Conductor Material and Plating Copper Clad Steel
 Dielectric Type PE
 Number of Shields 1



Configuration:

- TNC Female Bulkhead
- MMCX Plug Right Angle
- RG174

Features:

- Max Frequency 1 GHz
- 66% Phase Velocity
- PVC Jacket

Applications:

- General Purpose
- Laboratory Use

Fairview Microwave
 301 Leora Ln., Suite 100
 Lewisville, TX 75056
 Tel: 1-800-715-4396 / (972) 649-6678
 Fax: (972) 649-6689
www.fairviewmicrowave.com
sales@fairviewmicrowave.com

Shield Layer 1 Tinned Copper Braid
 Jacket Material PVC, Black
 Jacket Diameter 0.11 in [2.79 mm]

Connectors

Description	Connector 1	Connector 2
Type	TNC Female	MMCX Plug
Mount Method	Bulkhead	
Specification	MIL-STD-348	MIL-STD-348A
Impedance	50 Ohms	50 Ohms
Contact Material & Plating	Phosphor Bronze, Gold	Brass, Gold
Contact Plating Spec.		30 µin minimum
Dielectric Type	PTFE	PTFE
Outer Cond Material & Plating	Brass, Nickel	
Body Material & Plating	Brass, Nickel	Brass, Gold
Body Plating Spec.		3 µin minimum
Hex Size	5/8 in	

Environmental Specifications
Temperature

Operating Range -40 to +80 deg C

Compliance Certifications (see [product page](#) for current document)

Plotted and Other Data

Notes:

How to Order

Part Number Configuration:

FMC00334 - xx uu

cm = Centimeters
 <blank> = Inches
 Length

Example: FMC00334-12 = 12 inches long cable
 FMC00334-100cm = 100 cm long cable

Low Loss TNC Female Bulkhead to RA MMCX Plug Cable RG174 Coax in 36 Inch from Fairview Microwave has same day shipment for domestic and International orders. Our RF, microwave and fiber optic products maintain a 99% availability and are part of the broadest selection in the industry.

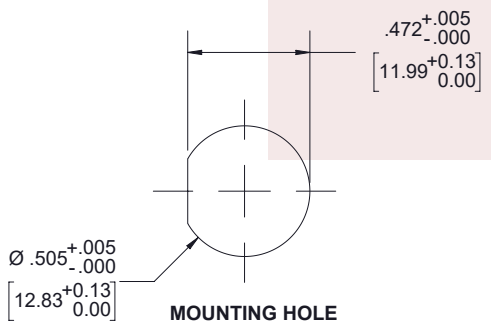
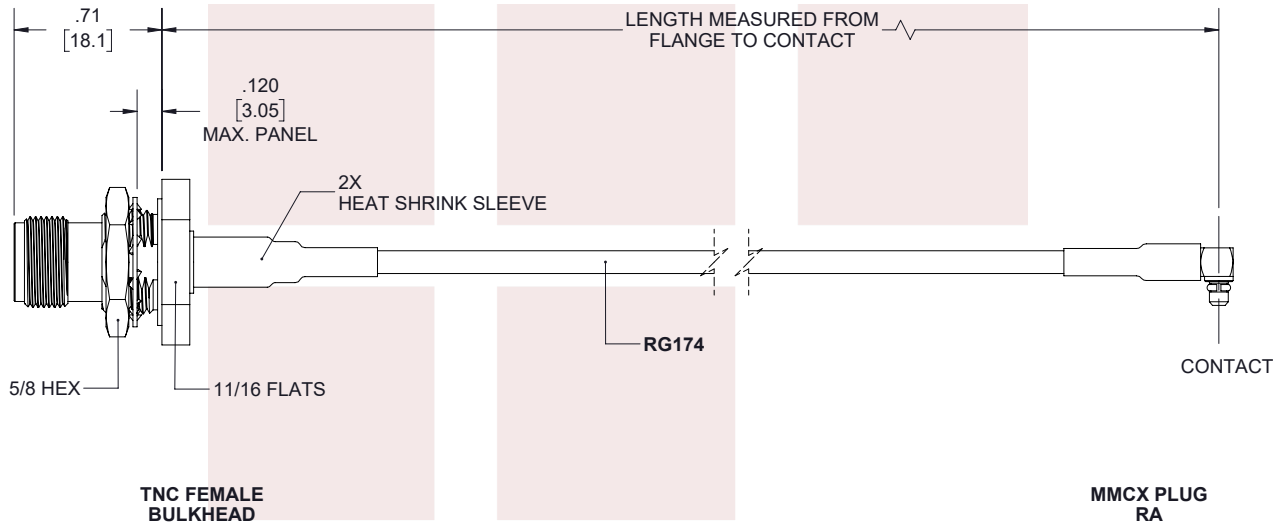
Click the following link to obtain additional part information: [Low Loss TNC Female Bulkhead to RA MMCX Plug Cable RG174 Coax in 36 Inch FMC00334-36](https://www.fairviewmicrowave.com/low-loss-tnc-female-ra-mmcx-plug-cable-rg174-coax-in-36-inch-fmc00334-36)

URL: <https://www.fairviewmicrowave.com/low-loss-tnc-female-ra-mmcx-plug-cable-rg174-coax-fmc00334-36-p.aspx>

The information contained in this document is accurate to the best of our knowledge and representative of the part described herein. It may be necessary to make modifications to the part and/or the documentation of the part, in order to implement improvements. Fairview Microwave reserves the right to make such changes as required. Unless otherwise stated, all specifications are nominal. Fairview Microwave does not make any representation or warranty regarding the suitability of the part described herein for any particular purpose, and Fairview Microwave does not assume any liability arising out of the use of any part or documentation.



REVISIONS			
REV.	DESCRIPTION	DATE	APPROVED
A	INITIAL RELEASE	2/24/2020	S.ELLIS



THESE COMMODITIES, TECHNOLOGY OR SOFTWARE WERE EXPORTED FROM THE UNITED STATES IN ACCORDANCE WITH THE EXPORT ADMINISTRATION REGULATIONS. DIVERSION CONTRARY TO U.S. LAW PROHIBITED.

TITLE
Low Loss TNC Female Bulkhead to RA MMCX Plug
Cable RG174 Coax in 36 Inch

UNLESS OTHERWISE SPECIFIED LEADING DIMENSIONS ARE INCHES
DIMENSIONS IN [] ARE MILLIMETERS

TOLERANCES:		CABLE LENGTH (L) TOLERANCES:	
.X = ±.2 [5.08]	FRACTIONS ± 1/32	L ≤ 12 [305] = +1 [25] / -0	
.XX = ±.02 [.51]	ANGLES ± 1°	12 [305] < L ≤ 60 [1524] = +2 [51] / -0	
.XXX = ±.005 [.13]		60 [1524] < L ≤ 120 [3048] = +4 [102] / -0	
		120 [3048] < L ≤ 300 [7620] = +6 [152] / -0	
		300 [7620] < L = +5%L / -0	

THIRD-ANGLE PROJECTION
THE INFORMATION AND DESIGN IN THIS DOCUMENT IS THE PROPERTY OF FAIRVIEW MICROWAVE CORPORATION. ALL RIGHTS RESERVED.

ALL DIMENSIONS SHOWN ARE FOR REFERENCE ONLY.				SCALE	N/A
SIZE	CAGE CODE	DRAWN BY	ITEM NO.	REV	
A	3FKR5	K.DANG	FMC00334	A	

T-Rev.D