

## Engineering Grade 2.4mm Male (Plug) to Mini SMP Female (Jack) Push-On Adapter



### FMAD10182

#### Configuration

- 2.4mm Male Connector 1
- Push-On Mini SMP Female Connector 2
- 50 Ohms Impedance
- Engineering Grade Design
- Straight Body Geometry

#### Features

- VSWR of 1.4:1 max up to 50 GHz
- 2.4mm interface meets MIL-STD-348B
- Mini SMP interface meets MIL-STD-348B
- Gold over Nickel Alloy over Copper Plated Beryllium Copper Contact

#### Applications

- Enables Between Series Connections
- General Purpose Test

#### Description

2.4mm male to Mini SMP female push-on adapter part number FMAD10182 from Fairview Microwave is in-stock and ships same day. This Fairview 2.4mm to Mini SMP adapter has a male to female gender configuration in a engineering grade design. FMAD10182 2.4mm male to Mini SMP female adapter operates to 50 GHz. The Fairview Microwave RF adapter provides good VSWR of 1.4:1 maximum. The 2.4mm connector mates mechanically with commercially available 1.85mm (V) connectors.

RF adapters can be used to enable connections between two connector types that would otherwise not mate. Certain RF adapter configurations can also be used to protect connectors on expensive equipment where the number of connect and disconnect cycles is high. An RF, microwave, or millimeter wave adapter is connected to the equipment and the commonly changed connection is made with the adapter which can be easily replaced when it wears out after high usage; such adapters are referred to as connector savers. Fairview Microwave also offers bulkhead, panel mount, hermetically sealed, reverse polarity, and isolated ground adapter varieties to serve all of your RF, microwave and millimeter wave needs.

#### Electrical Specifications

Description	Minimum	Typical	Maximum	Units
Frequency Range	DC		50	GHz
Impedance		50		Ohms
VSWR			1.4:1	
Insertion Loss			0.353	dB
Operating Voltage (AC)			150	Vrms
Dielectric Withstanding Voltage (AC)			500	Vrms
Insulation Resistance	5,000			MOhms

Electrical Specification Notes:  
Insertion loss = 0.06\*SQRT(FGHz) dB

#### Mechanical Specifications

##### Size

Length	0.91 in [22.99 mm]
Width	0.35 in [8.99 mm]
Height	0.35 in [8.99 mm]

## Engineering Grade 2.4mm Male (Plug) to Mini SMP Female (Jack) Push-On Adapter



### FMAD10182

Weight	0.05 lbs [22.68 g]	
Description	Connector 1	Connector 2
Polarity	Standard	Standard
Interface Specification	MIL-STD-348B	MIL-STD-348B
Mating Cycles, Min	500	
Mating Torque	7.08 to 9.74 in-lbs 0.80 to 1.10 Nm	
Contact Captivation Axial Force, Min	4.5 lbs [2.04 kg]	
Coupling Proof Torque	15 in-lbs [1.7 Nm]	
Coupling Retention, Min	60.7 lbs [27.53 kg]	

#### Mechanical Specification Notes:

Engagement Force: 3.5 lbs typ (Full Detent), 1.5 lbs typ (Smooth Bore)  
 Disengagement Force: 5.0 lbs typ (Full Detent), 1.5 lbs typ (Smooth Bore)  
 Durability (Mating): ≥100 (Full Detent), ≥1000 (Smooth Bore)  
 Contact Captivation-axial: ≥1.5 lbs (Full Detent), ≥1.5 lbs (Smooth Bore)

### Material Specifications

Description	Connector 1		Connector 2	
	Material	Plating	Material	Plating
Type	2.4mm Male		Push-On Mini SMP Female	
Contact	Beryllium Copper	Gold over Nickel Alloy over Copper	Beryllium Copper	Gold over Nickel Alloy over Copper
Insulation	PCTFE		PPO	
Outer Conductor	Passivated Stainless Steel		Beryllium Copper	Gold over Nickel Alloy over Copper
Body	Passivated Stainless Steel		Beryllium Copper	Gold over Nickel Alloy over Copper
Gasket	Silicone		Silicone	

### Environmental Specifications

#### Temperature

Operating Range

-55 to +105 °C

Humidity

MIL-STD-202, Method 106

Thermal Shock

MIL-STD-202, Method 107, Condition B

Salt Spray

MIL-STD-202, Method 101, Condition B

## Engineering Grade 2.4mm Male (Plug) to Mini SMP Female (Jack) Push-On Adapter



### FMAD10182

**Compliance Certifications** (see [product page](#) for current document)

#### Plotted and Other Data

Engineering Grade 2.4mm Male (Plug) to Mini SMP Female (Jack) Push-On Adapter from Fairview Microwave is in-stock and available to ship same-day. All of our RF/microwave products are available off-the-shelf from our ISO 9001:2008 certified facilities in Lewisville, Texas. Fairview Microwave is RF on-demand.

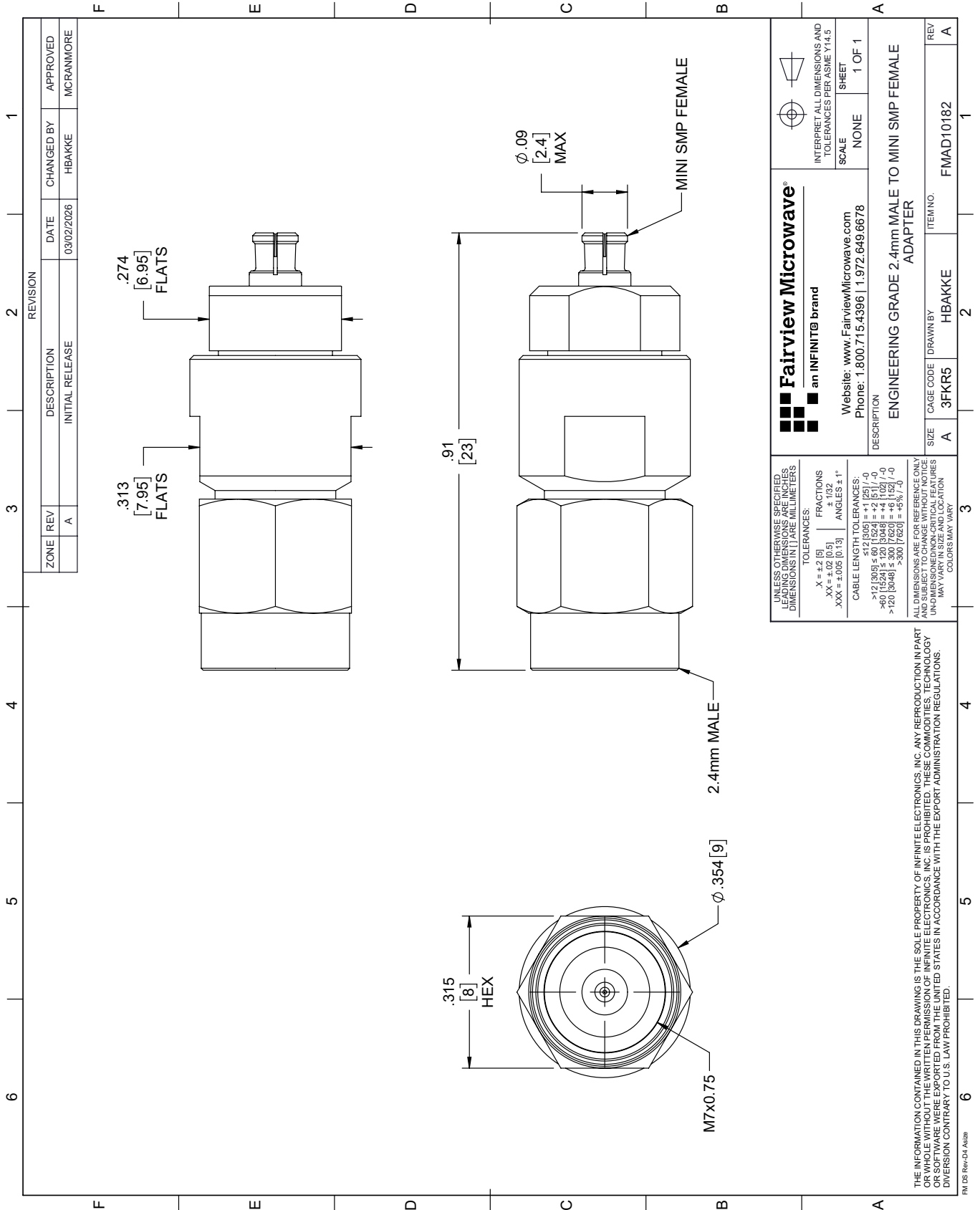
For additional information on this product, please click the following link: [Engineering Grade 2.4mm Male \(Plug\) to Mini SMP Female \(Jack\) Push-On Adapter FMAD10182](#)

URL: <https://www.fairviewmicrowave.com/product/rf-adapters/engineering-grade-2.4mm-male-to-mini-smp-female-push-on-adapter-mil-std-202-method-106-with-passivated-stainless-steel-body-fmad10182.html>

The information contained within this document is accurate to the best of our knowledge and representative of the part described herein. It may be necessary to make modifications to the part and/or the documentation of the part in order to implement improvements. Fairview Microwave reserves the right to make such changes as required. Unless otherwise stated, all specifications are nominal. Fairview Microwave does not make any representation or warranty regarding the suitability of the part described herein for any particular purpose, and Fairview Microwave does not assume liability arising out of the use of any part or document.

# FMAD10182 CAD Drawing

Engineering Grade 2.4mm Male (Plug) to Mini SMP Female (Jack) Push-On Adapter



REVISION		DATE	CHANGED BY	APPROVED	
ZONE	REV	DESCRIPTION	DATE	CHANGED BY	APPROVED
	A	INITIAL RELEASE	03/02/2026	HBAKKE	MCRANMIRE

**Fairview Microwave®**  
an INFINIT® brand

Website: [www.FairviewMicrowave.com](http://www.FairviewMicrowave.com)  
Phone: 1.800.715.4396 | 1.972.649.6678

INTERPRET ALL DIMENSIONS AND TOLERANCES PER ASME Y14.5

SCALE: NONE  
SHEET: 1 OF 1

DESCRIPTION: ENGINEERING GRADE 2.4mm MALE TO MINI SMP FEMALE ADAPTER

REV	A
ITEM NO.	FMAD10182
SIZE	A
CAGE CODE	3FKR5
DRAWN BY	HBAKKE

UNLESS OTHERWISE SPECIFIED, DIMENSIONS ARE IN INCHES. DIMENSIONS IN [ ] ARE MILLIMETERS.

TOLERANCES:  
 .X = ±.2 [5]  
 .XX = ±.02 [0.5]  
 .XXX = ±.005 [0.13]

FRACTIONS: ± 1/32  
 ANGLES: ± 1°

CABLE LENGTH TOLERANCES:  
 <12 [305] ≤ 60 [1524] = +.2 [5] / -0  
 >60 [1524] ≤ 120 [3048] = +.4 [102] / -0  
 >120 [3048] ≤ 300 [7620] = +.8 [20] / -0

ALL DIMENSIONS ARE FOR REFERENCE ONLY. DIMENSIONS OF CRITICAL FEATURES MAY VARY IN SIZE AND LOCATION. COLORS MAY VARY.

THE INFORMATION CONTAINED IN THIS DRAWING IS THE SOLE PROPERTY OF INFINITE ELECTRONICS, INC. ANY REPRODUCTION IN PART OR WHOLE WITHOUT THE WRITTEN PERMISSION OF INFINITE ELECTRONICS, INC. IS PROHIBITED. THESE COMMODITIES, TECHNOLOGY OR SOFTWARE WERE EXPORTED FROM THE UNITED STATES IN ACCORDANCE WITH THE EXPORT ADMINISTRATION REGULATIONS. DIVISION CONTRARY TO U.S. LAW PROHIBITED.

FM DS Rev-D4 Alt2