

## Engineering Grade 2.92mm Male (Plug) to Mini SMP Male (Plug) Smooth Bore Adapter with Passivated Stainless Steel Body



### FMAD10176

#### Configuration

- 2.92mm Male Connector 1
- Smooth Bore Mini SMP Male Connector 2
- 50 Ohms Impedance
- Engineering Grade Design
- Straight Body Geometry

#### Features

- VSWR of 1.3:1 max up to 40 GHz
- 2.92mm interface meets MIL-STD-348B
- Mini SMP interface meets MIL-STD-348B
- Gold over Nickel Alloy over Copper Plated Brass Contact

#### Applications

- Enables Between Series Connections
- General Purpose Test

#### Description

2.92mm male to Mini SMP male smooth bore adapter part number FMAD10176 from Fairview Microwave is in-stock and ships same day. This Fairview 2.92mm to Mini SMP adapter has a male to male gender configuration and is built of durable stainless steel in an engineering grade design. FMAD10176 2.92mm male to Mini SMP male adapter operates to 40 GHz. The Fairview Microwave RF adapter provides good VSWR of 1.3:1 maximum. The 2.92mm connector mates mechanically with commercially available SMA and 3.5mm connectors.

RF adapters can be used to enable connections between two connector types that would otherwise not mate. Certain RF adapter configurations can also be used to protect connectors on expensive equipment where the number of connect and disconnect cycles is high. An RF, microwave, or millimeter wave adapter is connected to the equipment and the commonly changed connection is made with the adapter which can be easily replaced when it wears out after high usage; such adapters are referred to as connector savers. Fairview Microwave also offers bulkhead, panel mount, hermetically sealed, reverse polarity, and isolated ground adapter varieties to serve all of your RF, microwave and millimeter wave needs.

#### Electrical Specifications

Description	Minimum	Typical	Maximum	Units
Frequency Range	DC		40	GHz
Impedance		50		Ohms
VSWR			1.3:1	
Insertion Loss			0.316	dB
Operating Voltage (AC)			250	Vrms
Dielectric Withstanding Voltage (AC)			500	Vrms
Insulation Resistance	5,000			MOhms

Electrical Specification Notes:  
Insertion loss = 0.05\*SQRT(FGHz) dB

#### Mechanical Specifications

##### Size

Length	0.89 in [22.68 mm]
Width	0.35 in [8.99 mm]
Height	0.35 in [8.99 mm]
Weight	0.05 lbs [22.68 g]

Engineering Grade 2.92mm Male (Plug) to Mini SMP Male (Plug) Smooth Bore Adapter with Passivated Stainless Steel Body



**FMAD10176**

Description	Connector 1	Connector 2
Polarity	Standard	Standard
Interface Specification	MIL-STD-348B	MIL-STD-348B
Mating Cycles, Min	500	1,000
Mating Torque	11.47 in-lbs 1.30 Nm max	
Contact Captivation Axial Force, Min	4.9 lbs [2.22 kg]	1.5 lbs [680.39 g]
Coupling Proof Torque	15 in-lbs [1.7 Nm]	

Mechanical Specification Notes:  
Engagement Force: 1.5lbs typ  
Disengagement Force: 1.5lbs typ

**Material Specifications**

Description	Connector 1		Connector 2	
	Material	Plating	Material	Plating
Type	2.92mm Male		Smooth Bore Mini SMP Male	
Contact	Brass	Gold over Nickel Alloy over Copper	Brass	Gold over Nickel Alloy over Copper
Insulation	PTFE		PPO	
Outer Conductor	Passivated Stainless Steel		Passivated Stainless Steel	
Body	Passivated Stainless Steel		Passivated Stainless Steel	
Gasket	Silicone		Silicone	

**Environmental Specifications**

**Temperature**

Operating Range

Humidity

Thermal Shock

Salt Spray

-55 to +105 °C

MIL-STD-202, Method 106

MIL-STD-202, Method 107, Condition B

MIL-STD-202, Method 101, Condition B

Engineering Grade 2.92mm Male (Plug) to  
Mini SMP Male (Plug) Smooth Bore Adapter  
with Passivated Stainless Steel Body



**FMAD10176**

---

**Compliance Certifications** (see [product page](#) for current document)

**Plotted and Other Data**

Engineering Grade 2.92mm Male (Plug) to Mini SMP Male (Plug) Smooth Bore Adapter with Passivated Stainless Steel Body from Fairview Microwave is in-stock and available to ship same-day. All of our RF/microwave products are available off-the-shelf from our ISO 9001:2008 certified facilities in Lewisville, Texas. Fairview Microwave is RF on-demand.

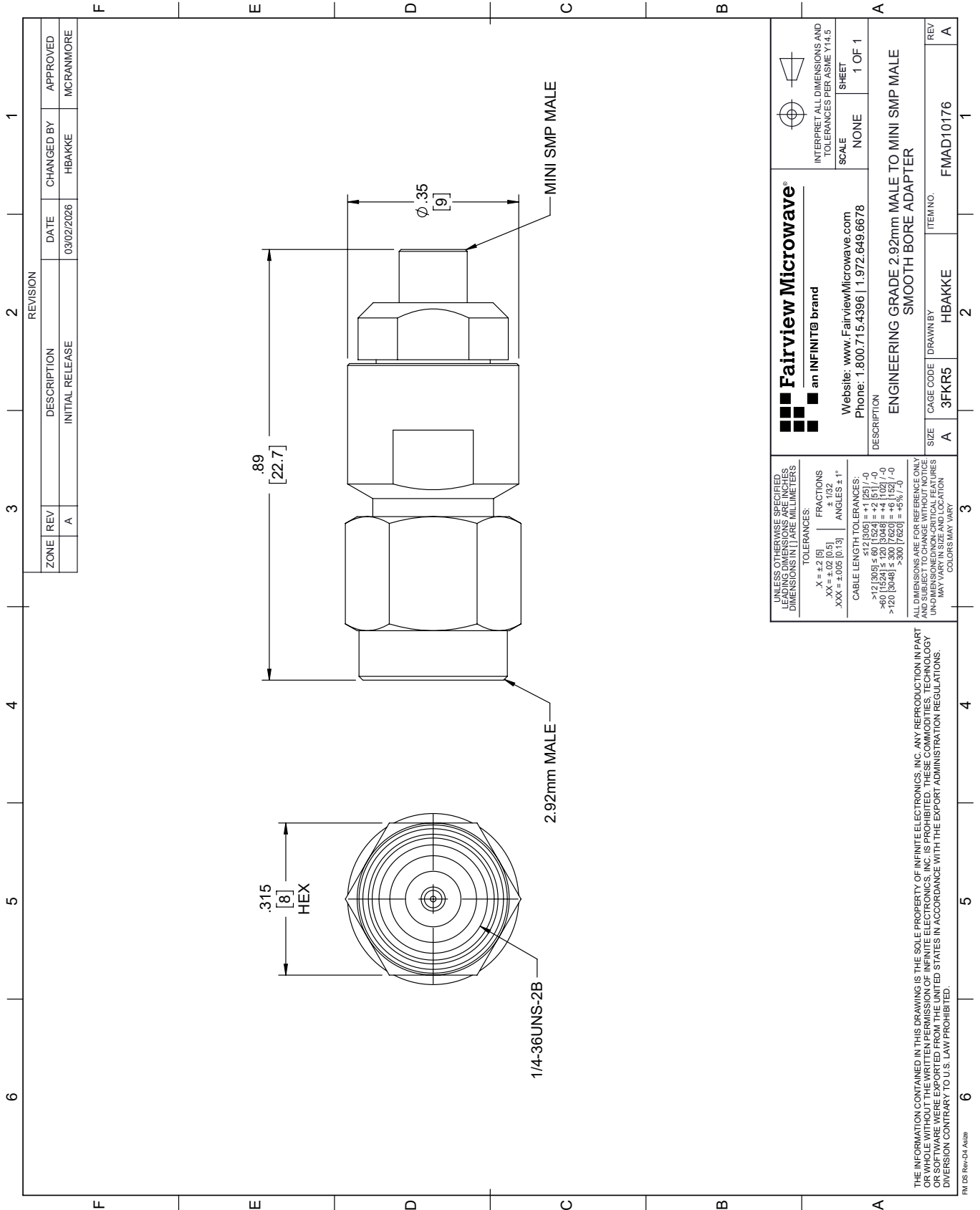
For additional information on this product, please click the following link: [Engineering Grade 2.92mm Male \(Plug\) to Mini SMP Male \(Plug\) Smooth Bore Adapter with Passivated Stainless Steel Body FMAD10176](#)

URL: <https://www.fairviewmicrowave.com/product/rf-adapters/engineering-grade-2.92mm-male-to-mini-smp-male-smooth-bore-adapter-mil-std-202-method-106-with-passivated-stainless-steel-body-fmad10176.html>

The information contained within this document is accurate to the best of our knowledge and representative of the part described herein. It may be necessary to make modifications to the part and/or the documentation of the part in order to implement improvements. Fairview Microwave reserves the right to make such changes as required. Unless otherwise stated, all specifications are nominal. Fairview Microwave does not make any representation or warranty regarding the suitability of the part described herein for any particular purpose, and Fairview Microwave does not assume liability arising out of the use of any part or document.

# FMAD10176 CAD Drawing

Engineering Grade 2.92mm Male (Plug) to Mini SMP Male (Plug) Smooth Bore Adapter with Passivated Stainless Steel Body



REVISION		DATE	CHANGED BY	APPROVED	
ZONE	REV	DESCRIPTION	DATE	CHANGED BY	APPROVED
	A	INITIAL RELEASE	03/02/2026	HBAKKE	MCRANMORRE

 <b>Fairview Microwave®</b> an INFINIT® brand		 INTERPRET ALL DIMENSIONS AND TOLERANCES PER ASME Y14.5
Website: <a href="http://www.FairviewMicrowave.com">www.FairviewMicrowave.com</a> Phone: 1.800.715.4396   1.972.649.6678		SCALE: NONE SHEET: 1 OF 1
DESCRIPTION: ENGINEERING GRADE 2.92mm MALE TO MINI SMP MALE SMOOTH BORE ADAPTER		
SIZE: A	CAGE CODE: 3FKR5	ITEM NO.: FMAD10176
DRAWN BY: HBAKKE	REV: A	

UNLESS OTHERWISE SPECIFIED, DIMENSIONS ARE IN INCHES. DIMENSIONS IN [ ] ARE MILLIMETERS.

TOLERANCES:

X = ±.2 [5]      FRACTIONS ± 1/32  
 .XX = ±.02 [0.5]      ANGLES ± 1°  
 .XXX = ±.005 [0.13]

CABLE LENGTH TOLERANCES:

>12 [305] ≤ 60 [1524] = ±.2 [5] / -0  
 >60 [1524] ≤ 120 [3048] = ±.4 [102] / -0  
 >120 [3048] ≤ 300 [7620] = ±.8 [20] / -0

ALL DIMENSIONS ARE FOR REFERENCE ONLY. DIMENSIONS OF NON-CRITICAL FEATURES MAY VARY IN SIZE AND LOCATION. COLORS MAY VARY.

THE INFORMATION CONTAINED IN THIS DRAWING IS THE SOLE PROPERTY OF INFINITE ELECTRONICS, INC. ANY REPRODUCTION IN PART OR WHOLE WITHOUT THE WRITTEN PERMISSION OF INFINITE ELECTRONICS, INC. IS PROHIBITED. THESE COMMODITIES, TECHNOLOGY OR SOFTWARE WERE EXPORTED FROM THE UNITED STATES IN ACCORDANCE WITH THE EXPORT ADMINISTRATION REGULATIONS. DIVISION CONTRARY TO U.S. LAWS PROHIBITED.

FM DS Rev-D4 Alt2