

WR-62 Waveguide Standard Gain Horn Antenna
Operating from 12.4 GHz to 18 GHz with a
Nominal 30 dB Gain SMA Female Input



FM9854B/SF-30

Features

- WR-62 Rectangular Waveguide Interface
- 12.4 GHz to 18 GHz
- 30 dBi Nominal Gain
- Type SMA Female Connector

Applications

- Antenna Measurements
- Wireless Communication
- Laboratory Use
- Microwave Radio Systems

Description

The Fairview Microwave FM9854B/SF-30 Proline series standard gain horn antenna (also known as waveguide horn) is part of our huge selection of waveguide antennas. This Fairview Microwave standard gain horn antenna is manufactured with a WR-62 input and a Type SMA waveguide to coaxial transition adapter. Our standard gain horn antenna, WR-62 has a 30 dBi nominal gain. This WR-62 standard gain horn from Fairview Microwave has a female Type SMA waveguide to coax transition adapter.

The 30 dBi Fairview Microwave WR-62 horn antenna operates from 12.4GHz to 18 GHz. Fairview Microwave's Type SMAfemale WR-62The 30 dBi Fairview Microwave WR-62 horn antenna operates from 12.4 GHz to 18 GHz. Fairview Microwave's Type SMA female WR-62 standard gain horns are available in 10, 15 and 20 dBi models with pyramidal shape and rectangular input. It is part of over 40,000 RF, microwave and millimeter wave components available at Fairview Microwave.

Waveguide standard gain horn antennas, such as the FM9854B/SF-30, are used in a wide variety of applications due to their high power handling capability, low loss, high directivity, and near constant electrical performance. The WR-62 FM9854B/SF-30 waveguide horn is US made and TAA compliant. Our WR-62 standard gain horn Proline antennas with Type SMA female interface can ship same day to anywhere in the world.

Configuration

Design	WR-62
Pattern	Directional
Coaxial Interface	SMA Female

Electrical Specifications

Description	Minimum	Typical	Maximum	Units
Frequency Range	12.4		18	GHz
Gain		30		
Horizontal Half Power Beam Width		5		Degrees
Vertical Half Power Beam Width		5		
Waveguide to Coaxial Adapter				
VSWR			1.4:1	

Mechanical Specifications

Size	
Length	25.21 in [640.33 mm]
Width	9.57 in [243.08 mm]
Height	7.27 in [184.66 mm]
Weight	0.52 lbs [235.87 g]

WR-62 Waveguide Standard Gain Horn Antenna
Operating from 12.4 GHz to 18 GHz with a
Nominal 30 dB Gain SMA Female Input



FM9854B/SF-30

RF Connector

Type	SMA Female
Contact Material Plating	Stainless Steel

Waveguide Interface

Waveguide Size	WR-62
Flange Type	Square Cover
Flange Designation	UG-1665/U
Body Material and Plating	Aluminum

Compliance Certifications (see [product page](#) for current document)

Plotted and Other Data

Notes:

Typical Performance Data

WR-62 Waveguide Standard Gain Horn Antenna Operating from 12.4 GHz to 18 GHz with a Nominal 30 dB Gain SMA Female Input from Fairview Microwave is in-stock and available to ship same-day. All of our RF/microwave products are available off-the-shelf from our ISO 9001:2008 certified facilities in Lewisville, Texas. Fairview Microwave is RF on-demand.

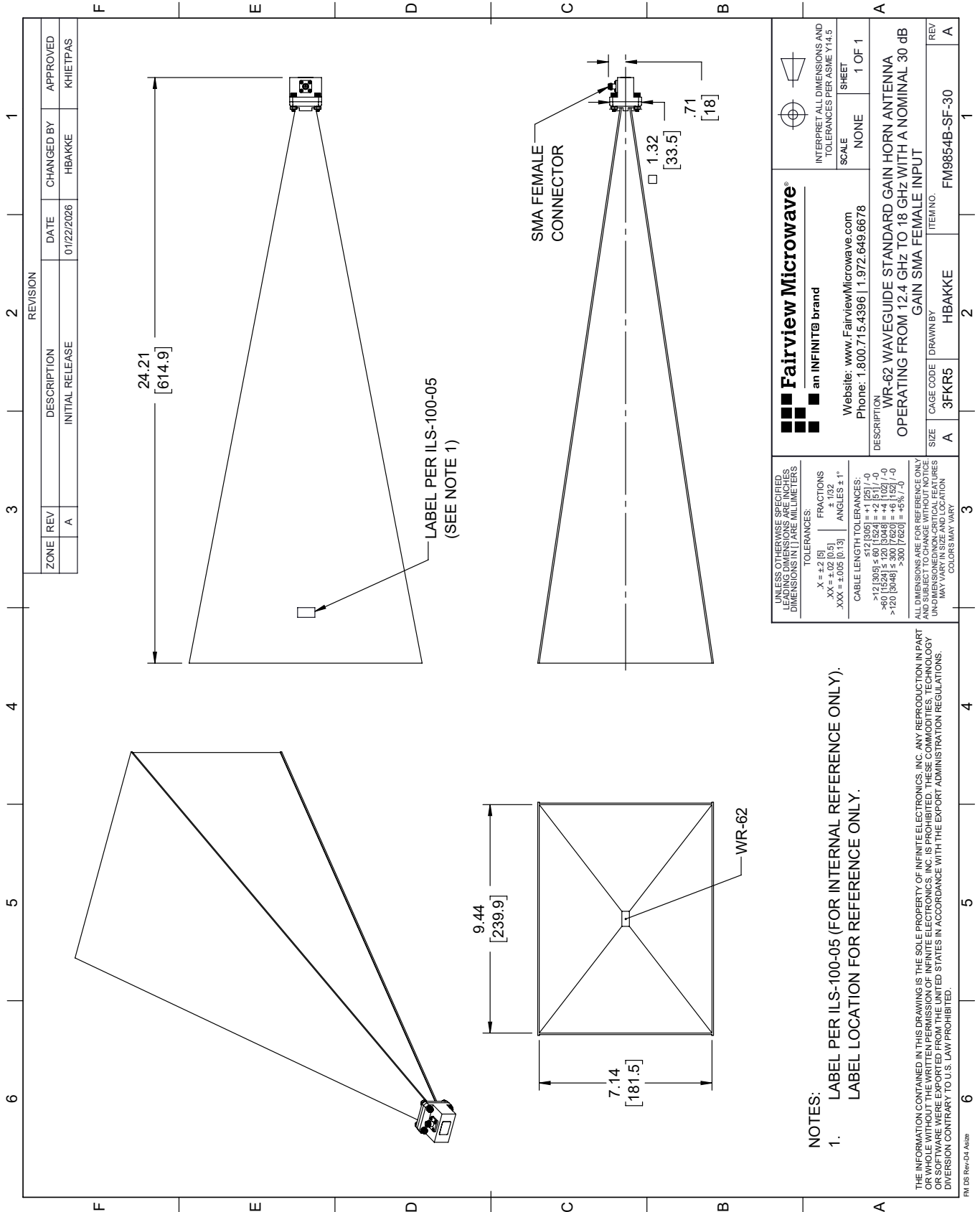
For additional information on this product, please click the following link: [WR-62 Waveguide Standard Gain Horn Antenna Operating from 12.4 GHz to 18 GHz with a Nominal 30 dB Gain SMA Female Input FM9854B/SF-30](#)

URL: <https://www.fairviewmicrowave.com/wr-62-standard-gain-horn-30-db-sma-fm9854b-sf-30-p.aspx>

The information contained within this document is accurate to the best of our knowledge and representative of the part described herein. It may be necessary to make modifications to the part and/or the documentation of the part in order to implement improvements. Fairview Microwave reserves the right to make such changes as required. Unless otherwise stated, all specifications are nominal. Fairview Microwave does not make any representation or warranty regarding the suitability of the part described herein for any particular purpose, and Fairview Microwave does not assume liability arising out of the use of any part or document.

FM9854B/SF-30 CAD Drawing

WR-62 Waveguide Standard Gain Horn Antenna Operating from 12.4 GHz to 18 GHz with a Nominal 30 dB Gain SMA Female Input



 Fairview Microwave an INFINIT® brand		Website: www.FairviewMicrowave.com Phone: 1.800.715.4396 1.972.649.6678	INTERPRET ALL DIMENSIONS AND TOLERANCES PER ASME Y14.5 SCALE: NONE SHEET: 1 OF 1
DESCRIPTION WR-62 WAVEGUIDE STANDARD GAIN HORN ANTENNA OPERATING FROM 12.4 GHz TO 18 GHz WITH A NOMINAL 30 dB GAIN SMA FEMALE INPUT		CAGE CODE: 3FKR5 DRAWN BY: HBAKKE	ITEM NO.: FM9854B-SF-30 REV: A

UNLESS OTHERWISE SPECIFIED, DIMENSIONS ARE IN INCHES. DIMENSIONS IN [] ARE MILLIMETERS.

TOLERANCES:
 .X = ±.2 [5]
 .XX = ±.02 [0.5]
 .XXX = ±.005 [0.13]
 FRACTIONS: ± 1/32
 ANGLES: ± 1°

CABLE LENGTH TOLERANCES:
 < 12 [305] ≤ 60 [1524] = ±.1 [25] / -0
 > 60 [1524] ≤ 120 [3048] = ±.4 [102] / -0
 > 120 [3048] ≤ 300 [7620] = ±.5 [12.7] / -0
 > 300 [7620] = ±.5 [12.7] / -0

ALL DIMENSIONS ARE FOR REFERENCE ONLY. UNLESS OTHERWISE SPECIFIED, DIMENSIONS ARE IN INCHES. DIMENSIONS IN [] ARE MILLIMETERS. DIMENSIONS MAY VARY.

COLORS MAY VARY.

THE INFORMATION CONTAINED IN THIS DRAWING IS THE SOLE PROPERTY OF INFINITE ELECTRONICS, INC. ANY REPRODUCTION IN PART OR WHOLE WITHOUT THE WRITTEN PERMISSION OF INFINITE ELECTRONICS, INC. IS PROHIBITED. THESE COMMODITIES, TECHNOLOGY OR SOFTWARE WERE EXPORTED FROM THE UNITED STATES IN ACCORDANCE WITH THE EXPORT ADMINISTRATION REGULATIONS. DIVISION CONTRARY TO U.S. LAW PROHIBITED.

FM DS Rev-D4 A24z

- NOTES:
- LABEL PER ILS-100-05 (FOR INTERNAL REFERENCE ONLY). LABEL LOCATION FOR REFERENCE ONLY.