

1.85mm Female Bulkhead Mount Connector Clamp/ Solder Attachment for FM-SR086ALTN, FM-SR086TB, FM-SR086TBJ, FM-SR086CUTN, RG405, .252 inch

1.85mm female bulkhead connector with clamp/solder attachment for FM-SR086ALTN, FM-SR086TB, FM-SR086TBJ, FM-SR086CUTN, RG405 and .252 inch (.252 inch D hole), part number FMCN1825, from Fairview Microwave is in-stock and ships same day. This 1.85mm female connector operates up to a maximum frequency of 60 GHz and offers good VSWR of 1.35:1. Fairview's FMCN1825 bulkhead 1.85mm connector enables designers to make external connections on product enclosures, and can be used in a variety of other rack mount and panel mount applications.

Fairview's 1.85mm female bulkhead connector FMCN1825 datasheet specifications and outline drawing are shown in this PDF below. Our extensive offering of RF, microwave and millimeter wave connectors allows designers to configure and customize their signal connections however they like. From providing an I/O for a board design to creating a custom cable assembly configuration, Fairview Microwave has a connector solution to meet your needs. Fairview Microwave also has the expertise to build your custom cable assemblies for you and ship them same-day.



Configuration:

- 1.85mm Female Connector
- IEEE-STD-P287
- 50 Ohms
- Straight Body Geometry
- FM-SR086ALTN, FM-SR086TB, FM-SR086TBJ, FM-SR086CUTN, RG405, .252 inch Interface Type
- Clamp/Solder Attachment
- Bulkhead

Electrical Specifications

Description	Min	Typ	Max	Units
Frequency Range	DC		60	GHz
VSWR			1.35:1	

Mechanical Specifications

Size	
Length	0.97 in [24.64 mm]
Width/Dia.	0.282 in [7.16 mm]
Height	0.31 in [7.87 mm]
Weight	0.018 lbs [8.16 g]

Material Specifications

Description	Material	Plating
Contact	Beryllium Copper	Gold over Nickel 50 µin minimum
Insulation	PEI	
Body	Passivated Stainless Steel	SAE-AMS-2700

Features:

- Operating Frequency of 60 GHz Max.
- Good VSWR of 1.35:1
- Gold over Nickel Plated Beryllium Copper Contact
- 50 µin minimum contact plating

Applications:

- General Purpose Test
- Rack and Panel Mount Applications
- Custom Cable Assemblies

Compliance Certifications (see [product page](#) for current document)

Plotted and Other Data

Notes:

Fairview Microwave
301 Leora Ln., Suite 100
Lewisville, TX 75056
Tel: 1-800-715-4396 / (972) 649-6678
Fax: (972) 649-6689
www.fairviewmicrowave.com
sales@fairviewmicrowave.com

1.85mm Female Bulkhead Mount Connector Clamp/Solder Attachment for FM-SR086ALTN, FM-SR086TB, FM-SR086TBJ, FM-SR086CUTN, RG405, .252 inch from Fairview Microwave is in-stock and available to ship same-day. All of our RF/microwave products are available off-the-shelf from our ISO 9001:2008 certified facilities in Lewisville, Texas. Fairview Microwave is RF on-demand.

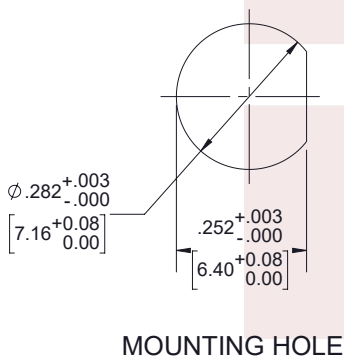
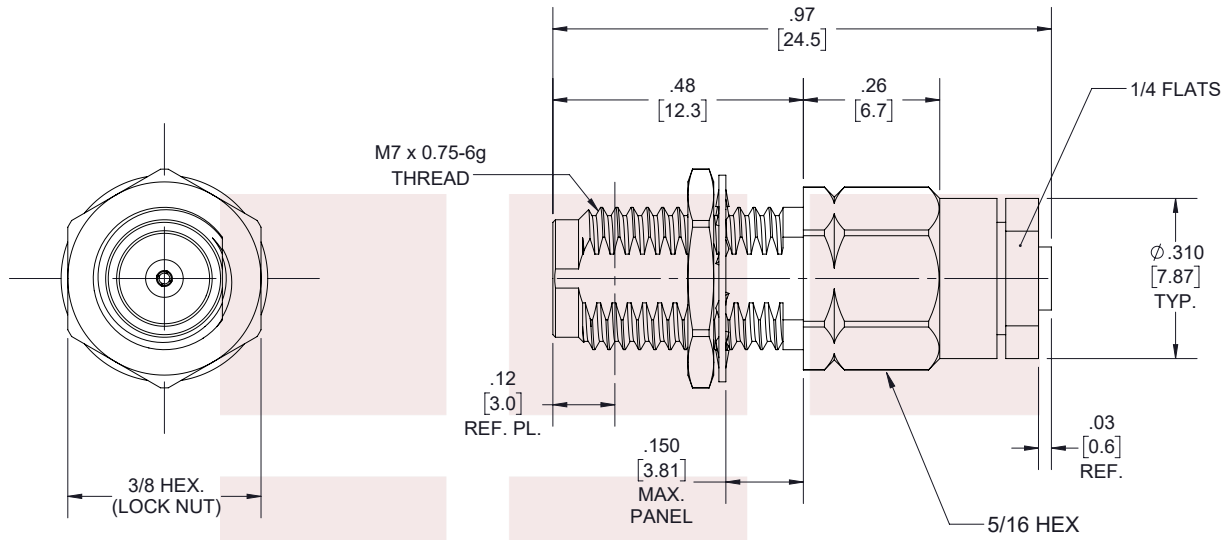
For additional information on this product, please click the following link: [1.85mm Female Bulkhead Mount Connector Clamp/Solder Attachment for FM-SR086ALTN, FM-SR086TB, FM-SR086TBJ, FM-SR086CUTN, RG405, .252 inch FMCN1825](#)

URL: <https://www.fairviewmicrowave.com/1.85mm-female-fm-sr086altn-fm-sr086tb-fm-sr086tbj-fm-sr086cutn-rg405-.252-connector-fmcn1825-p.aspx>

The information contained in this document is accurate to the best of our knowledge and representative of the part described herein. It may be necessary to make modifications to the part and/or the documentation of the part, in order to implement improvements. Fairview Microwave reserves the right to make such changes as required. Unless otherwise stated, all specifications are nominal. Fairview Microwave does not make any representation or warranty regarding the suitability of the part described herein for any particular purpose, and Fairview Microwave does not assume any liability arising out of the use of any part or documentation.



REVISIONS			
REV.	DESCRIPTION	DATE	APPROVED
A	INITIAL RELEASE	02/11/2022	A.GANWANI



THESE COMMODITIES, TECHNOLOGY OR SOFTWARE WERE EXPORTED FROM THE UNITED STATES IN ACCORDANCE WITH THE EXPORT ADMINISTRATION REGULATIONS. DIVERSION CONTRARY TO U.S. LAW PROHIBITED.

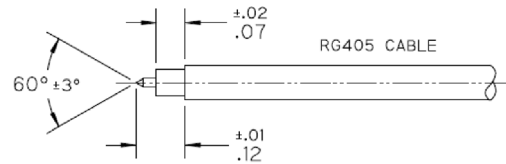
<p>Fairview Microwave an INFINIT[®] brand</p>	<p>UNLESS OTHERWISE SPECIFIED LEADING DIMENSIONS ARE INCHES DIMENSIONS IN [] ARE MILLIMETERS</p> <p>TOLERANCES: CABLE LENGTH (L) TOLERANCES:</p> <p>L ≤ 12 [305] = +1 [25] / -0 12 [305] < L ≤ 60 [1524] = +2 [51] / -0 60 [1524] < L ≤ 120 [3048] = +4 [102] / -0 120 [3048] < L ≤ 300 [7620] = +6 [152] / -0 300 [7620] < L = +5% / -0</p> <p>.X = ±.2 [5.08] FRACTIONS ± 1/32 .XX = ±.02 [.51] ANGLES ± 1° .XXX = ±.005 [.13]</p>		<p>THIRD-ANGLE PROJECTION</p> <p>THE INFORMATION AND DESIGN IN THIS DOCUMENT IS THE PROPERTY OF FAIRVIEW MICROWAVE CORPORATION. ALL RIGHTS RESERVED.</p>
	<p>TITLE</p> <p>1.85mm Female Bulkhead Mount Connector Clamp/ Solder Attachment for FM-SR086ALTN, FM-SR086TB, FM-SR086TBJ, FM-SR086CUTN, RG405, .252 inch</p>		<p>SHEET 1 OF 2</p>
<p>ALL DIMENSIONS SHOWN ARE FOR REFERENCE ONLY.</p>			<p>SCALE N/A</p>
<p>SIZE A</p>	<p>CAGE CODE 3FKR5</p>	<p>DRAWN BY K.GLEBOVA</p>	<p>ITEM NO. FMCN1825</p>
		<p>REV A</p>	

T-Rev.D

ASSEMBLY PROCEDURES

STEP 1

1A. TRIM CABLE JACKET TO EXPOSE DIELECTRIC & CENTER CONDUCTOR AS SHOWN.



1B. POINT CENTER CONDUCTOR AS SHOWN.

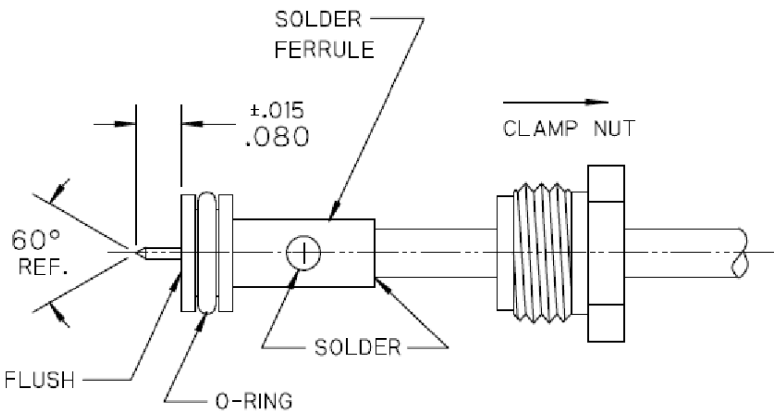
STEP 2

2A. SLIDE CLAMP NUT OVER CABLE AS SHOWN.

2B. INSERT CABLE INTO SOLDER FERRULE UNTIL SEATED AND SOLDER WHERE SHOWN.

2C. TRIM CABLE DIELECTRIC FLUSH TO FACE OF SOLDER FERRULE (DO NOT NICK CENTER CONDUCTOR).

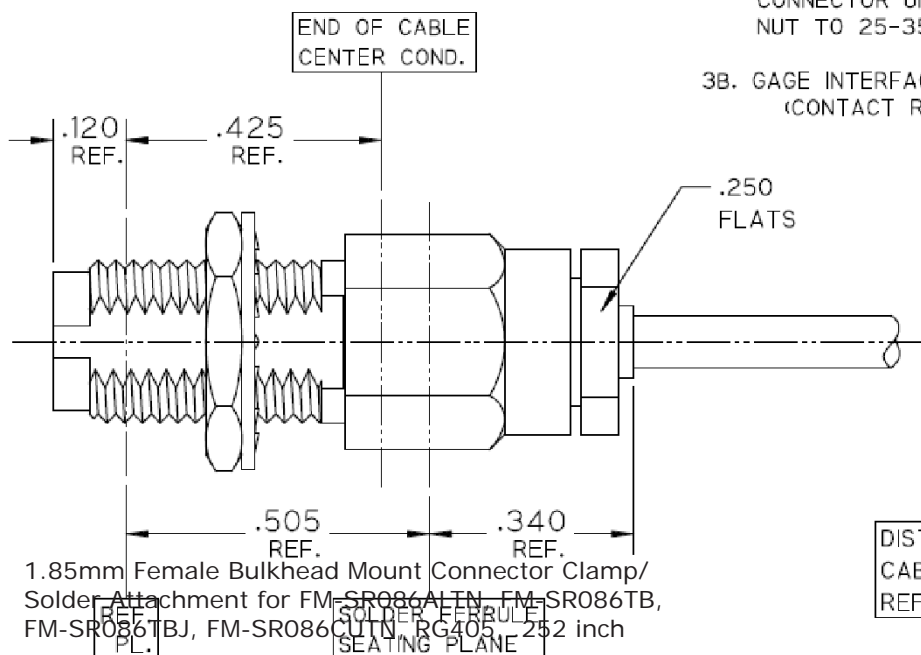
2D. INSTALL O-RING INTO GROOVE IN SOLDER FERRULE FLANGE AS SHOWN.



STEP 3

3A. INSERT CABLE/FERRULE SUB-ASSEMBLY INTO CONNECTOR UNTIL SEATED AND TIGHTEN CLAMP NUT TO 25-35 IN-LBS.

3B. GAGE INTERFACE USING APPROPRIATE GAGE. (CONTACT RANGE .000/.003 SUB-FLUSH)



1.85mm Female Bulkhead Mount Connector Clamp/
Solder Attachment for FM-SR086ALTN, FM-SR086TB,
FM-SR086TBJ, FM-SR086CUTN, RG405 - 252 inch

DISTANCE FROM END OF
CABLE CENTER COND. TO
REF. PL. IS .425 (REF.)

BMMA Male (Plug) Bulkhead Connector Solder Attachment
for FM-SR086CU, FM-SR086CUTN, FM-SR086ALTN,
FM-SR086TB, FM-SR086TBJ, 0.085 Cable



FMCN5137

Configuration

- BMMA Male Connector
- 50 Ohms
- Straight Body Geometry
- Connector Interface Types: FM-SR086CU, FM-SR086CUTN, FM-SR086ALTN, FM-SR086TB, FM-SR086TBJ, FM-F086, 0.085 Cable, RG405
- Bulkhead

Features

- Operating Frequency of 28 GHz Max.
- Good VSWR of 1.35:1
- Gold Plated Beryllium Copper Contact

Applications

- General Purpose Test
- Rack and Panel Mount Applications
- Custom Cable Assemblies

Description

BMMA Male Bulkhead Standard Bulkhead Connector Solder Attachment for FM-SR086CU, FM-SR086CUTN, FM-SR086ALTN, FM-SR086TB, FM-SR086TBJ, FM-F086, 0.085 Cable and RG405 Cable, part number FMCN5137, from Fairview Microwave is in-stock and ships same day. This BMMA male connector operates up to a maximum frequency of 28 GHz and offers good VSWR of 1.35:1. Fairview's FMCN5137 bulkhead BMMA connector enables designers to make external connections on product enclosures, and can be used in a variety of other rack mount and panel mount applications.

Fairview's BMMA male bulkhead connector FMCN5137 datasheet specifications and outline drawing are shown in this PDF below. Our extensive offering of RF, microwave and millimeter wave connectors allows designers to configure and customize their signal connections however they like. From providing an I/O for a board design to creating a custom cable assembly configuration, Fairview Microwave has a connector solution to meet your needs. Fairview Microwave also has the expertise to build your custom cable assemblies for you and ship them same-day.

Electrical Specifications

Description	Minimum	Typical	Maximum	Units
Frequency Range	DC		28	GHz
VSWR			1.35:1	
Insertion Loss			0.529	dB
Impedance		50		Ohms

Mechanical Specifications

Size

- Length 0.6 in [15.24 mm]
- Width 0.3 in [7.62 mm]
- Height 0.3 in [7.62 mm]
- Weight 0.004 lbs [1.81 g]
- Mating Cycles 500 Cycles

BMMA Male (Plug) Bulkhead Connector Solder Attachment
for FM-SR086CU, FM-SR086CUTN, FM-SR086ALTN,
FM-SR086TB, FM-SR086TBJ, 0.085 Cable



FMCN5137

Material Specifications

Description	Material	Plating
Contact	Beryllium Copper	Gold
Insulation	PTFE	
Outer Conductor	Beryllium Copper	Gold
Body	Stainless Steel	Gold

Environmental Specifications

Temperature

Operating Range -65 to +165 deg C

Compliance Certifications (see [product page](#) for current document)

Plotted and Other Data

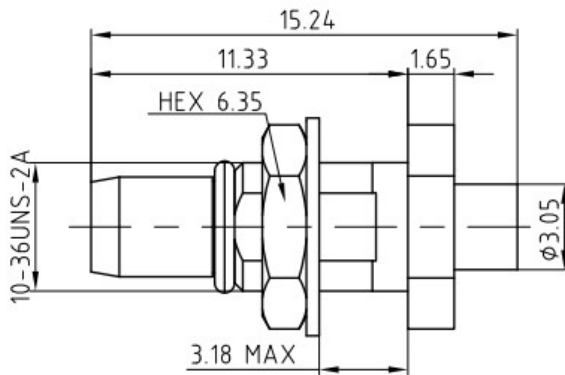
Notes:

BMMA Male (Plug) Bulkhead Connector Solder Attachment
for FM-SR086CU, FM-SR086CUTN, FM-SR086ALTN,
FM-SR086TB, FM-SR086TBJ, 0.085 Cable

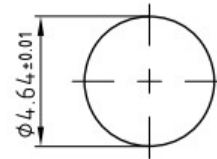


FMCN5137

Assembly Instruction

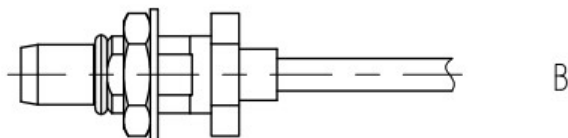
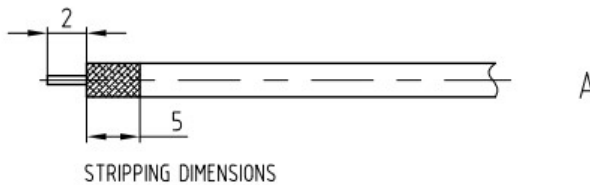


RECOMMENDED MOUNTING HOLE



ASSEMBLY PROCEDURES

1. STRIP CABLE AS SHOWN IN (A). DO NOT NICK INNER CONDUCTOR.
2. PRE-TIN CABLE JACKET TO APPROXIMATE DIMENSION AS SHOWN IN (A).
3. INSERT CABLE THRU ADAPTER UNTIL IT BOTTOMS. SOLDER



BMMA Male (Plug) Bulkhead Connector Solder Attachment
for FM-SR086CU, FM-SR086CUTN, FM-SR086ALTN,
FM-SR086TB, FM-SR086TBJ, 0.085 Cable



FMCN5137

BMMA Male (Plug) Bulkhead Connector Solder Attachment for FM-SR086CU, FM-SR086CUTN, FM-SR086ALTN, FM-SR086TB, FM-SR086TBJ, 0.085 Cable from Fairview Microwave is in-stock and available to ship same-day. All of our RF/microwave products are available off-the-shelf from our ISO 9001:2008 certified facilities in Lewisville, Texas. Fairview Microwave is RF on-demand.

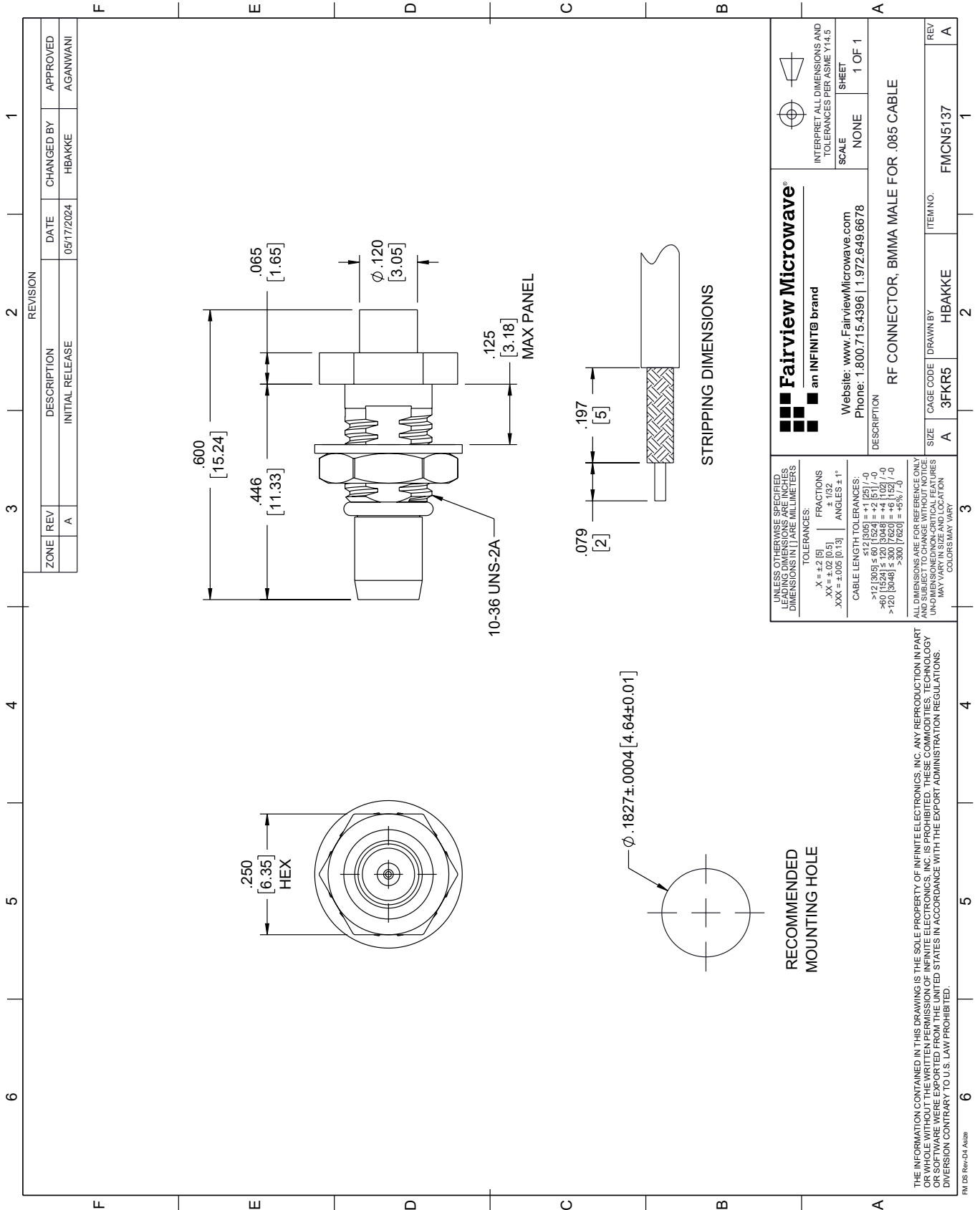
For additional information on this product, please click the following link: [BMMA Male \(Plug\) Bulkhead Connector Solder Attachment for FM-SR086CU, FM-SR086CUTN, FM-SR086ALTN, FM-SR086TB, FM-SR086TBJ, 0.085 Cable FMCN5137](https://www.fairviewmicrowave.com/bmma-male-connector-fmcn5137-p.aspx)

URL: <https://www.fairviewmicrowave.com/bmma-male-connector-fmcn5137-p.aspx>

The information contained within this document is accurate to the best of our knowledge and representative of the part described herein. It may be necessary to make modifications to the part and/or the documentation of the part in order to implement improvements. Fairview Microwave reserves the right to make such changes as required. Unless otherwise stated, all specifications are nominal. Fairview Microwave does not make any representation or warranty regarding the suitability of the part described herein for any particular purpose, and Fairview Microwave does not assume liability arising out of the use of any part or document.

FMCN5137 CAD Drawing

BMMA Male (Plug) Bulkhead Connector Solder Attachment for FM-SR086CU, FM-SR086CUTN, FM-SR086ALTN, FM-SR086TB, FM-SR086TBJ, 0.085 Cable



RG405 Type .086 Semi-Rigid Coax Cable with a Tin Plated Copper Outer Conductor in Coiled Sections



FM-SR086CUTN-COIL

Configuration

- Semi-Rigid Cable

Features

- Silver Plated Copper Clad Steel center conductor
- PTFE dielectric material
- Copper Tinned Outer Conductor
- Operating to 40 GHz
- Minimum inside bend radius of .05 inches
- ROHS compliant

Applications

- RF and Microwave Cable Assemblies to 40 GHz
- Preformed cable assemblies to insure fit and layout
- Test Equipment port jumpers

Description

.086 diameter semi-rigid coaxial cable is the cable of choice for many RF and Microwave engineers. 0.086 cables sometimes referred to as RG405 based on the mil specification for semi-rigid cable of this diameter has a maximum operating frequency of 40 GHz. This form factor is widely used in the RF industry and many connector series and configurations are available for this cable. Because of the solid copper wall design the cable can be formed using proper tooling with a minimum inside bend radius of .05 inches.

Electrical Specifications

Description	Minimum	Typical	Maximum	Units
Frequency Range	DC		40	GHz
Impedance		50		Ohms
Dielectric Withstanding Voltage (AC)			5,000	Vrms

Performance by Frequency Band

Description	F1	F2	F3	F4	F5	Units
Frequency	1	10	20			GHz
Attenuation, Typ	22	80	120			dB/100ft
	72.18	262.47	393.7			
Input Power (CW), Max	130	35	20			Watts

Mechanical Specifications

Weight	0.014 lbs/ft [0.02 kg/m]
Min. Bend Radius (Installation)	0.05 in [1.27 mm]

Construction Specifications

Description	Material and Plating	Diameter
Inner Conductor	Copper Clad Steel, Silver, Strand	0.02 in [0.51 mm]
Conductor Type	Solid	
Dielectric	PTFE	0.066 in [1.68 mm]

RG405 Type .086 Semi-Rigid Coax Cable with a Tin Plated Copper Outer Conductor in Coiled Sections



FM-SR086CUTN-COIL

Construction Specifications

Description	Material and Plating	Diameter
Outer Conductor	Copper, Tin	0.086 in [2.18 mm]
Jacket	White	

Environmental Specifications

Temperature

Operating Range -55 to +125 deg C

Compliance Certifications (see [product page](#) for current document)

Plotted and Other Data

Notes:

RG405 Type .086 Semi-Rigid Coax Cable with a Tin Plated Copper Outer Conductor in Coiled Sections from Fairview Microwave is in-stock and available to ship same-day. All of our RF/microwave products are available off-the-shelf from our ISO 9001:2008 certified facilities in Lewisville, Texas. Fairview Microwave is RF on-demand.

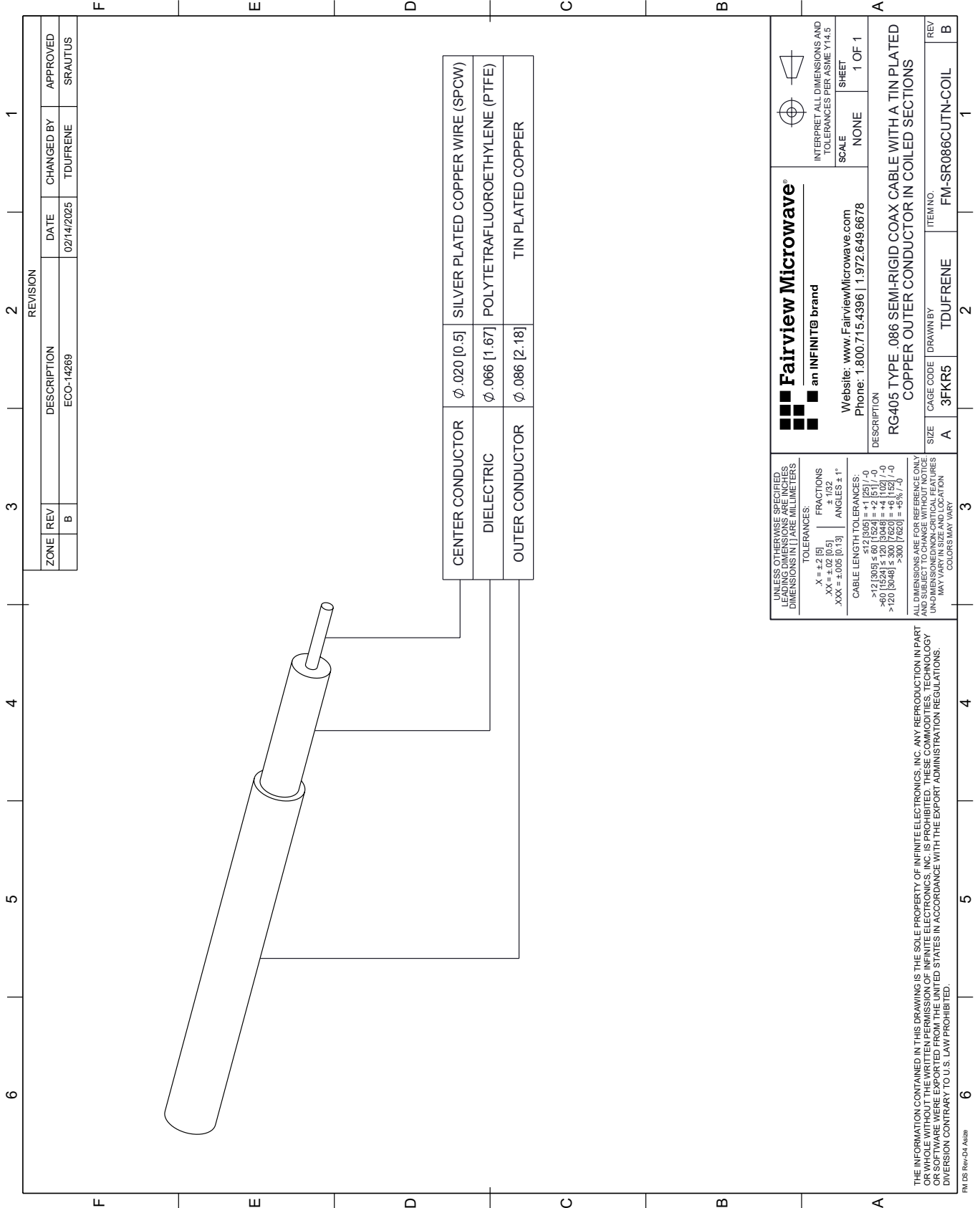
For additional information on this product, please click the following link: [RG405 Type .086 Semi-Rigid Coax Cable with a Tin Plated Copper Outer Conductor in Coiled Sections FM-SR086CUTN-COIL](#)

URL: <https://www.fairviewmicrowave.com/rg405-type-.086-semi-rigid-coax-cable-tin-plated-copper-fm-sr086cutn-coil-p.aspx>

The information contained within this document is accurate to the best of our knowledge and representative of the part described herein. It may be necessary to make modifications to the part and/or the documentation of the part in order to implement improvements. Fairview Microwave reserves the right to make such changes as required. Unless otherwise stated, all specifications are nominal. Fairview Microwave does not make any representation or warranty regarding the suitability of the part described herein for any particular purpose, and Fairview Microwave does not assume liability arising out of the use of any part or document.

FM-SR086CUTN-COIL CAD Drawing

RG405 Type .086 Semi-Rigid Coax Cable with a Tin Plated Copper Outer Conductor in Coiled Sections



REVISION		DATE	CHANGED BY	APPROVED	
ZONE	REV	DESCRIPTION	ECO-14269	TDUFRENE	SRAUTUS
	B				

CENTER CONDUCTOR	Ø .020 [0.5]	SILVER PLATED COPPER WIRE (SPCW)
DIELECTRIC	Ø .066 [1.67]	POLYTETRAFLUOROETHYLENE (PTFE)
OUTER CONDUCTOR	Ø .086 [2.18]	TIN PLATED COPPER

Fairview Microwave®
an INFINIT® brand

Website: www.FairviewMicrowave.com
Phone: 1.800.715.4396 | 1.972.649.6678

INTERPRET ALL DIMENSIONS AND TOLERANCES PER ASME Y14.5

SCALE: NONE SHEET: 1 OF 1

DESCRIPTION: RG405 TYPE .086 SEMI-RIGID COAX CABLE WITH A TIN PLATED COPPER OUTER CONDUCTOR IN COILED SECTIONS

ITEM NO. FM-SR086CUTN-COIL

SIZE: A CAGE CODE: 3FKR5 DRAWN BY: TDUFRENE

REVISION: B

UNLESS OTHERWISE SPECIFIED, LEADING DIMENSIONS ARE IN INCHES AND OTHER DIMENSIONS ARE IN MILLIMETERS

TOLERANCES:

.X = ±.2 [5] FRACTIONS ± 1/32
.XX = ±.02 [0.5] ANGLES ± 1°
.XXX = ±.005 [0.13]

CABLE LENGTH TOLERANCES:

>12 [305] ≤ 60 [1524] = +1 [25] / -0
>60 [1524] ≤ 120 [3048] = +4 [102] / -0
>120 [3048] ≤ 300 [7620] = +5% / -0

ALL DIMENSIONS ARE FOR REFERENCE ONLY UNLESS OTHERWISE SPECIFIED. DIMENSIONS OF UNDESIGNATED NON-CRITICAL FEATURES MAY VARY IN SIZE AND LOCATION. COLORS MAY VARY.

THE INFORMATION CONTAINED IN THIS DRAWING IS THE SOLE PROPERTY OF INFINITE ELECTRONICS, INC. ANY REPRODUCTION IN PART OR WHOLE WITHOUT THE WRITTEN PERMISSION OF INFINITE ELECTRONICS, INC. IS PROHIBITED. THESE COMMODITIES, TECHNOLOGY OR SOFTWARE WERE EXPORTED FROM THE UNITED STATES IN ACCORDANCE WITH THE EXPORT ADMINISTRATION REGULATIONS. DIVERSION CONTRARY TO U.S. LAW PROHIBITED.

FM DS Rev-D4 Alt2b