

BMA Plug (Male) Bulkhead Connector Solder Attachment for FM-SR141ALTN-COIL, FM-SR141CU-COIL, FM-SR141CUTN-COIL, Cable, D-Flat, VSWR 1.25



FMCN5153

Configuration

- BMA Plug Connector
- 50 Ohms
- Straight Body Geometry
- Connector Interface Types: FM-SR141ALTN-COIL, FM-SR141CU-COIL, FM-SR141CUTN-COIL, FM-SR141TB, FM-SR141TBJ
- Bulkhead

Features

- Operating Frequency of 18 GHz Max.
- Excellent VSWR of 1.2:1
- Blind Mate Connector
- Gold over Nickel over Copper Plated Beryllium Copper Contact

Applications

- General Purpose Test
- Rack and Panel Mount Applications
- Custom Cable Assemblies

Description

BMA Plug Bulkhead Standard Bulkhead Connector Solder Attachment for FM-SR141ALTN-COIL, FM-SR141CU-COIL, FM-SR141CUTN-COIL, FM-SR141TB and FM-SR141TBJ Cable, part number FMCN5153, from Fairview Microwave is in-stock and ships same day. This BMA plug connector operates up to a maximum frequency of 18 GHz and offers excellent VSWR of 1.2:1. This blind mate connector is ideal for applications without direct visual or tactile access to the connection point, for example, when two circuit boards need to be mated. Fairview's FMCN5153 bulkhead BMA connector enables designers to make external connections on product enclosures, and can be used in a variety of other rack mount and panel mount applications.

Fairview's BMA plug bulkhead connector FMCN5153 datasheet specifications and outline drawing are shown in this PDF below. Our extensive offering of RF, microwave and millimeter wave connectors allows designers to configure and customize their signal connections however they like. From providing an I/O for a board design to creating a custom cable assembly configuration, Fairview Microwave has a connector solution to meet your needs. Fairview Microwave also has the expertise to build your custom cable assemblies for you and ship them same-day.

Electrical Specifications

Description	Minimum	Typical	Maximum	Units
Frequency Range	DC		18	GHz
VSWR			1.2:1	
Insertion Loss			0.127	dB
Operating Voltage (AC)			1,000	Vrms
Dielectric Withstanding Voltage (AC)			1,500	Vrms
Inner Conductor DC Resistance			2	mOhms
Outer Conductor DC Resistance			2	mOhms
Insulation Resistance	5,000			MOhms
Impedance		50		Ohms

Mechanical Specifications

Size	
Length	0.689 in [17.5 mm]
Width	0.315 in [8 mm]
Height	0.315 in [8 mm]

BMA Plug (Male) Bulkhead Connector Solder Attachment for FM-SR141ALTN-COIL, FM-SR141CU-COIL, FM-SR141CUTN-COIL, Cable, D-Flat, VSWR 1.25



FMCN5153

Weight	0.0062 lbs [2.81 g]
--------	---------------------

Material Specifications

Description	Material	Plating
Contact	Beryllium Copper	Gold over Nickel over Copper
Insulation	PTFE	
Body	Brass	Gold over Nickel over Copper
Gasket	Silicone	
Washer	Brass	Gold over Nickel over Copper

Environmental Specifications

Temperature

Operating Range

-65 to +165 deg C

Humidity

MIL-STD-202, Method 106

Thermal Shock

MIL-STD-202, Method 107, Condition B

Salt Spray

MIL-STD-202, Method 101, Condition B

Compliance Certifications (see [product page](#) for current document)

Plotted and Other Data

Notes:

BMA Plug (Male) Bulkhead Connector Solder Attachment for FM-SR141ALTN-COIL, FM-SR141CU-COIL, FM-SR141CUTN-COIL, Cable, D-Flat, VSWR 1.25 from Fairview Microwave is in-stock and available to ship same-day. All of our RF/microwave products are available off-the-shelf from our ISO 9001:2008 certified facilities in Lewisville, Texas. Fairview Microwave is RF on-demand.

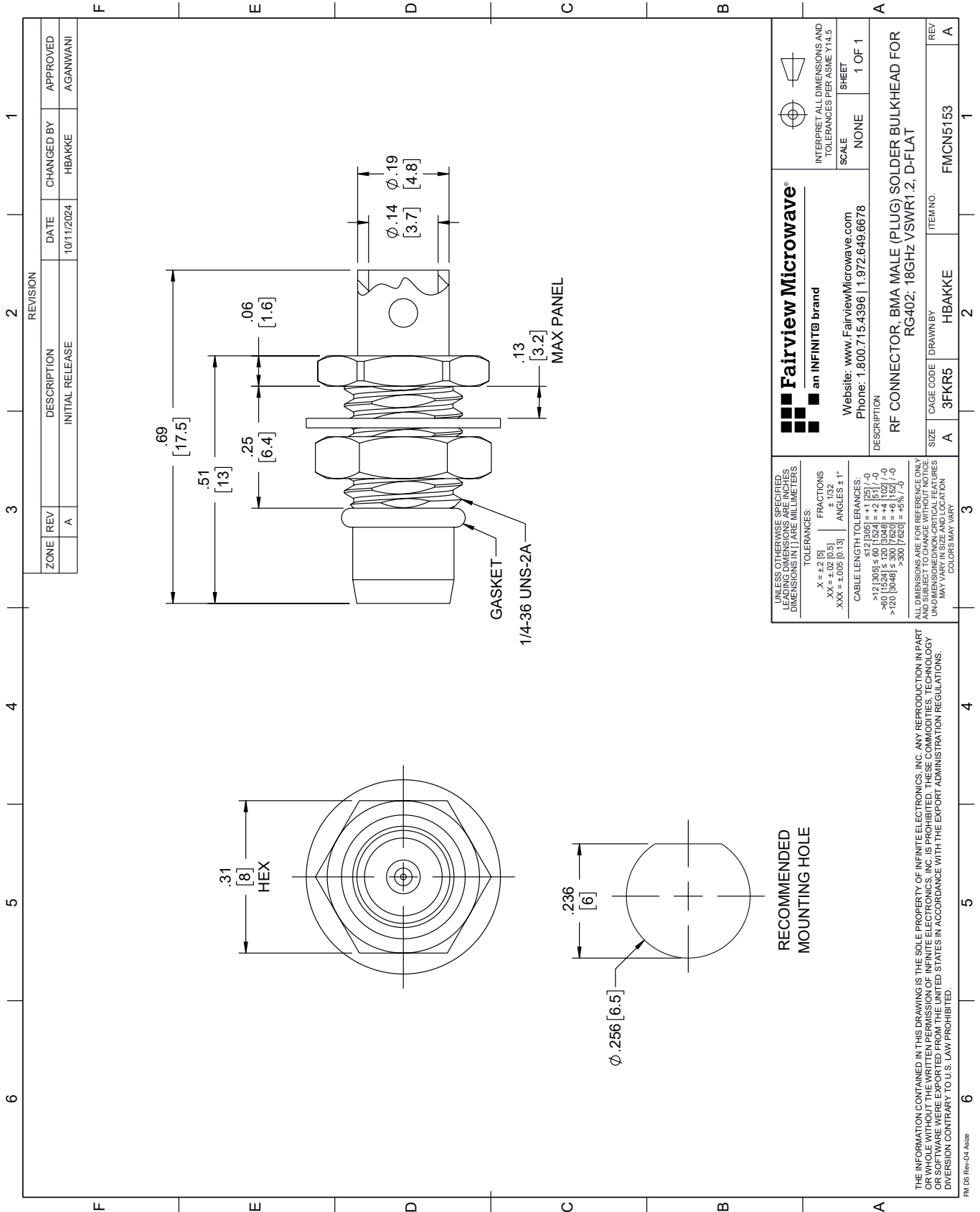
For additional information on this product, please click the following link: [BMA Plug \(Male\) Bulkhead Connector Solder Attachment for FM-SR141ALTN-COIL, FM-SR141CU-COIL, FM-SR141CUTN-COIL, Cable, D-Flat, VSWR 1.25 FMCN5153](#)

URL: <https://www.fairviewmicrowave.com/product/rf-connectors/bma-plug-fm-sr141altn-coil-fm-sr141cu-coil-fm-sr-141cutn-coil-fm-sr141tb-fm-sr141tbj-connector-fmcn5153.html>

The information contained within this document is accurate to the best of our knowledge and representative of the part described herein. It may be necessary to make modifications to the part and/or the documentation of the part in order to implement improvements. Fairview Microwave reserves the right to make such changes as required. Unless otherwise stated, all specifications are nominal. Fairview Microwave does not make any representation or warranty regarding the suitability of the part described herein for any particular purpose, and Fairview Microwave does not assume liability arising out of the use of any part or document.

FMCN5153 CAD Drawing

BMA Plug (Male) Bulkhead Connector Solder Attachment for FM-SR141ALTN-COIL, FM-SR141CU-COIL, FM-SR141CUTN-COIL, Cable, D-Flat, VSWR 1.25



BMA Plug (Male) Bulkhead Connector Solder Attachment for FM-SR141ALTN-COIL, FM-SR141CU-COIL, FM-SR141CUTN-COIL, Cable, D-Flat, VSWR 1.25



FMCN5153

Configuration

- BMA Plug Connector
- 50 Ohms
- Straight Body Geometry
- Connector Interface Types: FM-SR141ALTN-COIL, FM-SR141CU-COIL, FM-SR141CUTN-COIL, FM-SR141TB, FM-SR141TBJ
- Bulkhead

Features

- Operating Frequency of 18 GHz Max.
- Excellent VSWR of 1.2:1
- Blind Mate Connector
- Gold over Nickel over Copper Plated Beryllium Copper Contact

Applications

- General Purpose Test
- Rack and Panel Mount Applications
- Custom Cable Assemblies

Description

BMA Plug Bulkhead Standard Bulkhead Connector Solder Attachment for FM-SR141ALTN-COIL, FM-SR141CU-COIL, FM-SR141CUTN-COIL, FM-SR141TB and FM-SR141TBJ Cable, part number FMCN5153, from Fairview Microwave is in-stock and ships same day. This BMA plug connector operates up to a maximum frequency of 18 GHz and offers excellent VSWR of 1.2:1. This blind mate connector is ideal for applications without direct visual or tactile access to the connection point, for example, when two circuit boards need to be mated. Fairview's FMCN5153 bulkhead BMA connector enables designers to make external connections on product enclosures, and can be used in a variety of other rack mount and panel mount applications.

Fairview's BMA plug bulkhead connector FMCN5153 datasheet specifications and outline drawing are shown in this PDF below. Our extensive offering of RF, microwave and millimeter wave connectors allows designers to configure and customize their signal connections however they like. From providing an I/O for a board design to creating a custom cable assembly configuration, Fairview Microwave has a connector solution to meet your needs. Fairview Microwave also has the expertise to build your custom cable assemblies for you and ship them same-day.

Electrical Specifications

Description	Minimum	Typical	Maximum	Units
Frequency Range	DC		18	GHz
VSWR			1.2:1	
Insertion Loss			0.127	dB
Operating Voltage (AC)			1,000	Vrms
Dielectric Withstanding Voltage (AC)			1,500	Vrms
Inner Conductor DC Resistance			2	mOhms
Outer Conductor DC Resistance			2	mOhms
Insulation Resistance	5,000			MOhms
Impedance		50		Ohms

Mechanical Specifications

Size	
Length	0.689 in [17.5 mm]
Width	0.315 in [8 mm]
Height	0.315 in [8 mm]

BMA Plug (Male) Bulkhead Connector Solder Attachment for FM-SR141ALTN-COIL, FM-SR141CU-COIL, FM-SR141CUTN-COIL, Cable, D-Flat, VSWR 1.25



FMCN5153

Weight	0.0062 lbs [2.81 g]
--------	---------------------

Material Specifications

Description	Material	Plating
Contact	Beryllium Copper	Gold over Nickel over Copper
Insulation	PTFE	
Body	Brass	Gold over Nickel over Copper
Gasket	Silicone	
Washer	Brass	Gold over Nickel over Copper

Environmental Specifications

Temperature

Operating Range	-65 to +165 deg C
Humidity	MIL-STD-202, Method 106
Thermal Shock	MIL-STD-202, Method 107, Condition B
Salt Spray	MIL-STD-202, Method 101, Condition B

Compliance Certifications (see [product page](#) for current document)

Plotted and Other Data

Notes:

BMA Plug (Male) Bulkhead Connector Solder Attachment for FM-SR141ALTN-COIL, FM-SR141CU-COIL, FM-SR141CUTN-COIL, Cable, D-Flat, VSWR 1.25 from Fairview Microwave is in-stock and available to ship same-day. All of our RF/microwave products are available off-the-shelf from our ISO 9001:2008 certified facilities in Lewisville, Texas. Fairview Microwave is RF on-demand.

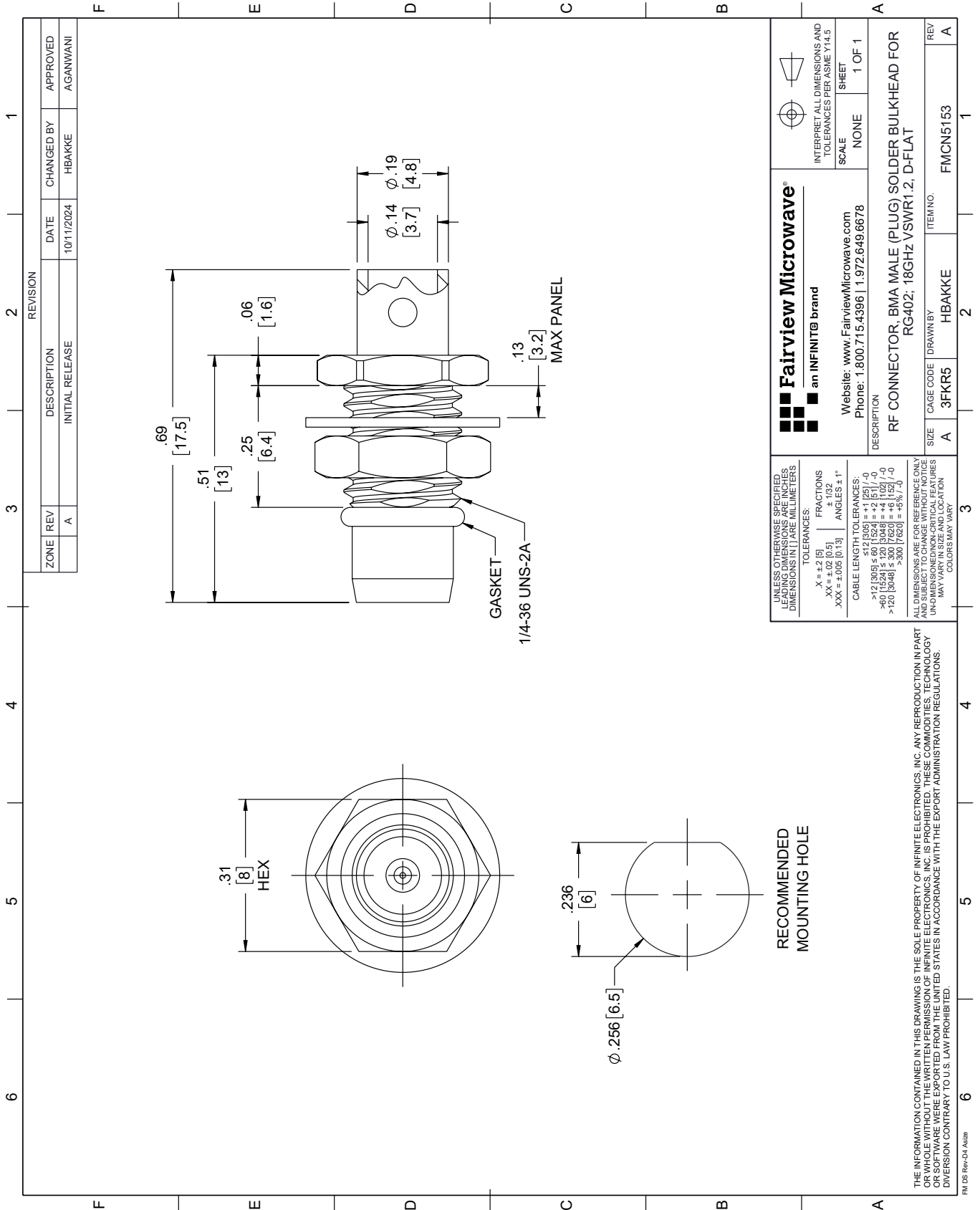
For additional information on this product, please click the following link: [BMA Plug \(Male\) Bulkhead Connector Solder Attachment for FM-SR141ALTN-COIL, FM-SR141CU-COIL, FM-SR141CUTN-COIL, Cable, D-Flat, VSWR 1.25 FMCN5153](#)

URL: <https://www.fairviewmicrowave.com/product/rf-connectors/bma-plug-fm-sr141altn-coil-fm-sr141cu-coil-fm-sr-141cutn-coil-fm-sr141tb-fm-sr141tbj-connector-fmcn5153.html>

The information contained within this document is accurate to the best of our knowledge and representative of the part described herein. It may be necessary to make modifications to the part and/or the documentation of the part in order to implement improvements. Fairview Microwave reserves the right to make such changes as required. Unless otherwise stated, all specifications are nominal. Fairview Microwave does not make any representation or warranty regarding the suitability of the part described herein for any particular purpose, and Fairview Microwave does not assume liability arising out of the use of any part or document.

FMCN5153 CAD Drawing

BMA Plug (Male) Bulkhead Connector Solder Attachment for FM-SR141ALTN-COIL, FM-SR141CU-COIL, FM-SR141CUTN-COIL, Cable, D-Flat, VSWR 1.25



RG402 Type .141 Semi-Rigid Coax Cable with a Tin Plated Copper Outer Conductor in Coiled Sections

.141 diameter semi-rigid coaxial cable is the cable of choice for many RF and Microwave engineers. 0.141 cables sometimes referred to as RG402 based on the mil specification for semi-rigid cable of this diameter has a maximum operating frequency of 36 GHz. This form factor is widely used in the RF industry and many connector series and configurations are available for this cable. Because of the solid copper wall design the cable can be formed using proper tooling with a minimum inside bend radius of 1 inch.

Electrical Specifications

Description	Min	Typ	Max	Units
Frequency Range	DC		36	GHz
Impedance		50		Ohms
DWV (AC)			5,000	Vrms

Performance by Frequency Band

Description	F1	F2	F3	F4	F5	Units
Frequency	1	10	20			GHz
Attenuation, Typ	12 39.37	45 147.64	70 229.66			dB/100ft dB/100m
Power In (CW), Max	450	120	70			Watts

Mechanical Specifications

Min. Bend Radius (Installation) 1 in [25.4 mm]

Construction Specifications

Description	Material and Plating	Diameter
Inner Conductor	Copper Clad Steel, Silver	0.036 in [0.91 mm]
Conductor Type	Solid	
Dielectric	PTFE	0.118 in [3 mm]
Outer Conductor	Copper, Tin	0.141 in [3.58 mm]

Environmental Specifications

Temperature

Operating Range -55 to +125 deg C

Compliance Certifications (visit www.FairviewMicrowave.com for current document)

REACH Compliant 12/17/2014

Plotted and Other Data

Notes:



Configuration:

- Semi-Rigid Cable

Features:

- Silver Plated Copper Clad Steel center conductor
- PTFE dielectric material
- Copper Tinned Outer Conductor
- Operating to 36 GHz
- Minimum inside bend radius of 1 inch
- ROHS compliant

Applications:

- RF and Microwave Cable Assemblies to 36 GHz
- Preformed cable assemblies to insure fit and layout
- Test Equipment port jumpers

Fairview Microwave
 1130 Junction Dr. #100
 Allen, TX 75013
 Tel: 1-800-715-4396 / (972) 649-6678
 Fax: (972) 649-6689
www.fairviewmicrowave.com
sales@fairviewmicrowave.com

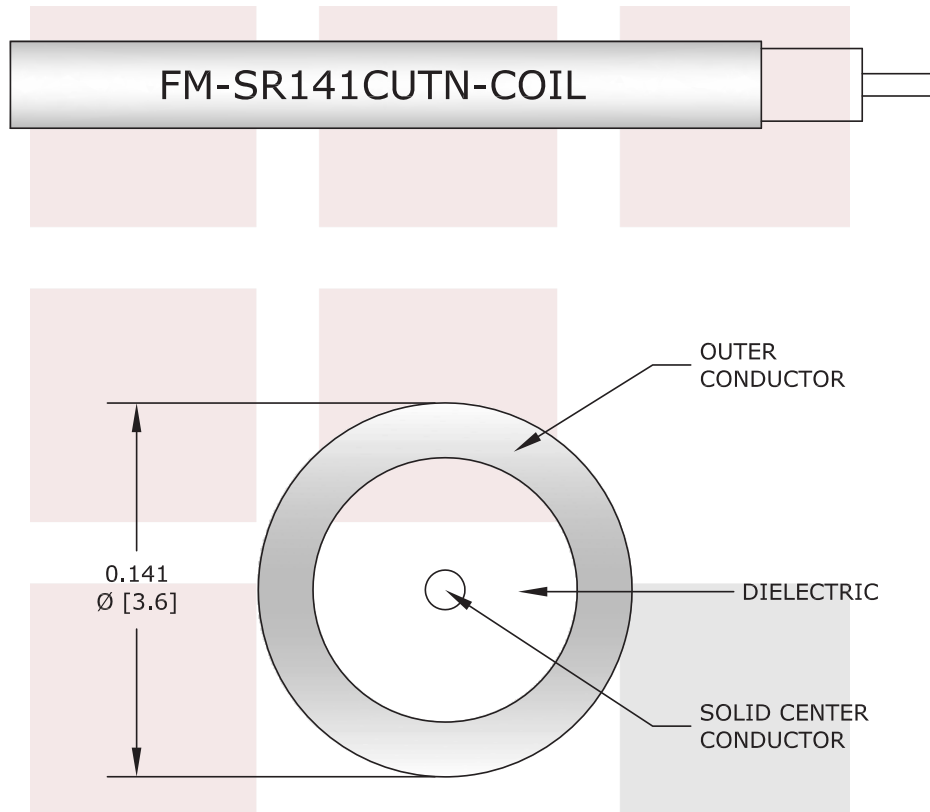
RG402 Type .141 Semi-Rigid Coax Cable with a Tin Plated Copper Outer Conductor in Coiled Sections from Fairview Microwave has same day shipment for domestic and International orders. Our RF, microwave and fiber optic products maintain a 99% availability and are part of the broadest selection in the industry.

Click the following link to obtain additional part information: [RG402 Type .141 Semi-Rigid Coax Cable with a Tin Plated Copper Outer Conductor in Coiled Sections FM-SR141CUTN-COIL](#)

URL: <http://www.fairviewmicrowave.com/rg402-type-.141-semi-rigid-coax-cable-tin-plated-copper-fm-sr141cutn-coil-p.aspx>

The information contained in this document is accurate to the best of our knowledge and representative of the part described herein. It may be necessary to make modifications to the part and/or the documentation of the part, in order to implement improvements. Fairview Microwave reserves the right to make such changes as required. Unless otherwise stated, all specifications are nominal. Fairview Microwave does not make any representation or warranty regarding the suitability of the part described herein for any particular purpose, and Fairview Microwave does not assume any liability arising out of the use of any part or documentation.





FAIRVIEW MICROWAVE INC. ALLEN, TX 75013 WWW.FAIRVIEWMICROWAVE.COM		NOTES: 1. UNLESS OTHERWISE SPECIFIED ALL DIMENSIONS ARE NOMINAL. 2. ALL SPECIFICATIONS ARE SUBJECT TO CHANGE WITHOUT NOTICE AT ANY TIME. 3. DIMENSIONS ARE IN INCHES [mm].			
TITLE RG402 Type .141 Semi-Rigid Coax Cable with a Tin Plated Copper Outer Conductor in Coiled Sections		DWG NO FM-SR141CUTN-COIL		CAGE CODE 3FKR5	
CAD FILE	012716	SHEET	SCALE	N/A	SIZE A 2233