

1.85mm Female Bulkhead Mount Connector Clamp/ Solder Attachment for FM-SR086ALTN, FM-SR086TB, FM-SR086TBJ, FM-SR086CUTN, RG405, .252 inch

1.85mm female bulkhead connector with clamp/solder attachment for FM-SR086ALTN, FM-SR086TB, FM-SR086TBJ, FM-SR086CUTN, RG405 and .252 inch (.252 inch D hole), part number FMCN1825, from Fairview Microwave is in-stock and ships same day. This 1.85mm female connector operates up to a maximum frequency of 60 GHz and offers good VSWR of 1.35:1. Fairview's FMCN1825 bulkhead 1.85mm connector enables designers to make external connections on product enclosures, and can be used in a variety of other rack mount and panel mount applications.

Fairview's 1.85mm female bulkhead connector FMCN1825 datasheet specifications and outline drawing are shown in this PDF below. Our extensive offering of RF, microwave and millimeter wave connectors allows designers to configure and customize their signal connections however they like. From providing an I/O for a board design to creating a custom cable assembly configuration, Fairview Microwave has a connector solution to meet your needs. Fairview Microwave also has the expertise to build your custom cable assemblies for you and ship them same-day.



Configuration:

- 1.85mm Female Connector
- IEEE-STD-P287
- 50 Ohms
- Straight Body Geometry
- FM-SR086ALTN, FM-SR086TB, FM-SR086TBJ, FM-SR086CUTN, RG405, .252 inch Interface Type
- Clamp/Solder Attachment
- Bulkhead

Electrical Specifications

Description	Min	Typ	Max	Units
Frequency Range	DC		60	GHz
VSWR			1.35:1	

Mechanical Specifications

Size	
Length	0.97 in [24.64 mm]
Width/Dia.	0.282 in [7.16 mm]
Height	0.31 in [7.87 mm]
Weight	0.018 lbs [8.16 g]

Material Specifications

Description	Material	Plating
Contact	Beryllium Copper	Gold over Nickel 50 μin minimum
Insulation	PEI	
Body	Passivated Stainless Steel	SAE-AMS-2700

Features:

- Operating Frequency of 60 GHz Max.
- Good VSWR of 1.35:1
- Gold over Nickel Plated Beryllium Copper Contact
- 50 μin minimum contact plating

Applications:

- General Purpose Test
- Rack and Panel Mount Applications
- Custom Cable Assemblies

Compliance Certifications (see [product page](#) for current document)

Plotted and Other Data

Notes:

Fairview Microwave
301 Leora Ln., Suite 100
Lewisville, TX 75056
Tel: 1-800-715-4396 / (972) 649-6678
Fax: (972) 649-6689
www.fairviewmicrowave.com
sales@fairviewmicrowave.com

1.85mm Female Bulkhead Mount Connector Clamp/Solder Attachment for FM-SR086ALTN, FM-SR086TB, FM-SR086TBJ, FM-SR086CUTN, RG405, .252 inch from Fairview Microwave is in-stock and available to ship same-day. All of our RF/microwave products are available off-the-shelf from our ISO 9001:2008 certified facilities in Lewisville, Texas. Fairview Microwave is RF on-demand.

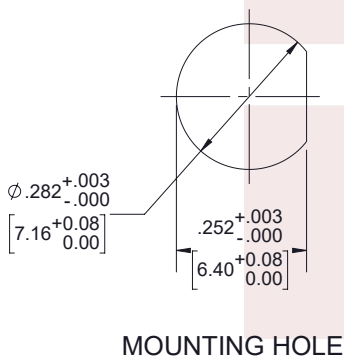
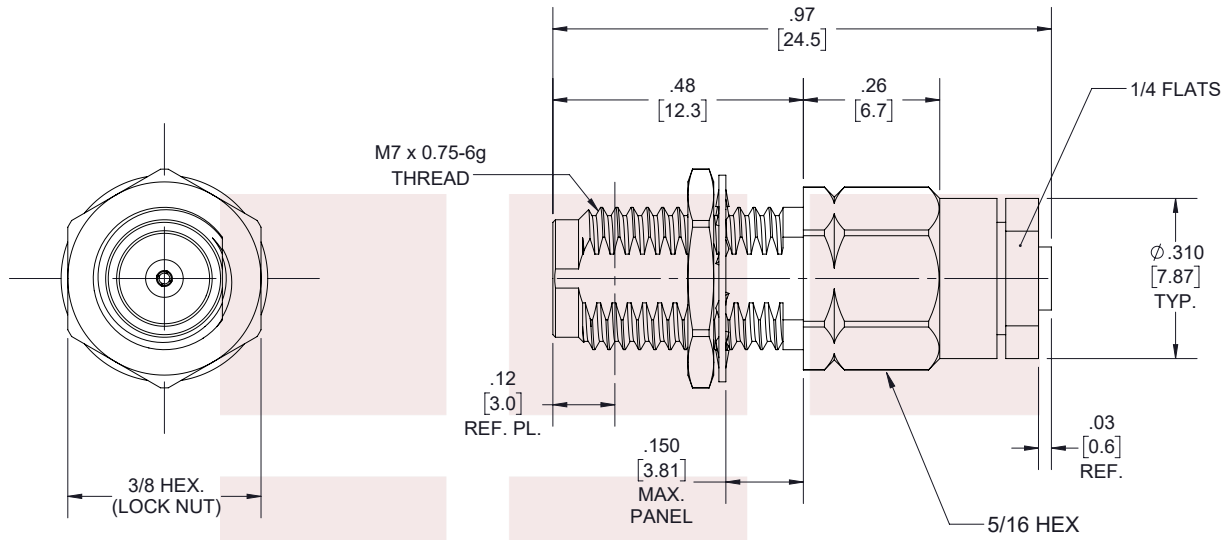
For additional information on this product, please click the following link: [1.85mm Female Bulkhead Mount Connector Clamp/Solder Attachment for FM-SR086ALTN, FM-SR086TB, FM-SR086TBJ, FM-SR086CUTN, RG405, .252 inch FMCN1825](#)

URL: <https://www.fairviewmicrowave.com/1.85mm-female-fm-sr086altn-fm-sr086tb-fm-sr086tbj-fm-sr086cutn-rg405-.252-connector-fmcn1825-p.aspx>

The information contained in this document is accurate to the best of our knowledge and representative of the part described herein. It may be necessary to make modifications to the part and/or the documentation of the part, in order to implement improvements. Fairview Microwave reserves the right to make such changes as required. Unless otherwise stated, all specifications are nominal. Fairview Microwave does not make any representation or warranty regarding the suitability of the part described herein for any particular purpose, and Fairview Microwave does not assume any liability arising out of the use of any part or documentation.



REVISIONS			
REV.	DESCRIPTION	DATE	APPROVED
A	INITIAL RELEASE	02/11/2022	A.GANWANI



THESE COMMODITIES, TECHNOLOGY OR SOFTWARE WERE EXPORTED FROM THE UNITED STATES IN ACCORDANCE WITH THE EXPORT ADMINISTRATION REGULATIONS. DIVERSION CONTRARY TO U.S. LAW PROHIBITED.

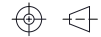
TITLE
1.85mm Female Bulkhead Mount Connector Clamp/
Solder Attachment for FM-SR086ALTN, FM-SR086TB,
FM-SR086TBJ, FM-SR086CUTN, RG405, .252 inch

UNLESS OTHERWISE SPECIFIED LEADING DIMENSIONS ARE INCHES
DIMENSIONS IN [] ARE MILLIMETERS

TOLERANCES: CABLE LENGTH (L) TOLERANCES:

.X = ±.2 [5.08]	FRACTIONS ± 1/32	L ≤ 12 [305] = +1 [25] / -0
.XX = ±.02 [.51]	ANGLES ± 1°	12 [305] < L ≤ 60 [1524] = +2 [51] / -0
.XXX = ±.005 [.13]		60 [1524] < L ≤ 120 [3048] = +4 [102] / -0
		120 [3048] < L ≤ 300 [7620] = +6 [152] / -0
		300 [7620] < L = +5% / -0

THIRD-ANGLE PROJECTION



THE INFORMATION AND DESIGN IN THIS DOCUMENT IS THE PROPERTY OF FAIRVIEW MICROWAVE CORPORATION. ALL RIGHTS RESERVED.

SHEET 1 OF 2

ALL DIMENSIONS SHOWN ARE FOR REFERENCE ONLY.

SCALE N/A

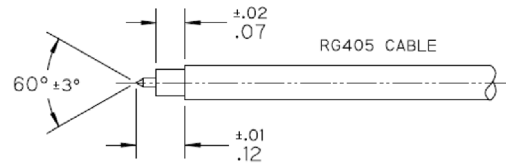
SIZE A	CAGE CODE 3FKR5	DRAWN BY K.GLEBOVA	ITEM NO. FMCN1825	REV A
-----------	--------------------	-----------------------	----------------------	----------

T-Rev.D

ASSEMBLY PROCEDURES

STEP 1

1A. TRIM CABLE JACKET TO EXPOSE DIELECTRIC & CENTER CONDUCTOR AS SHOWN.



1B. POINT CENTER CONDUCTOR AS SHOWN.

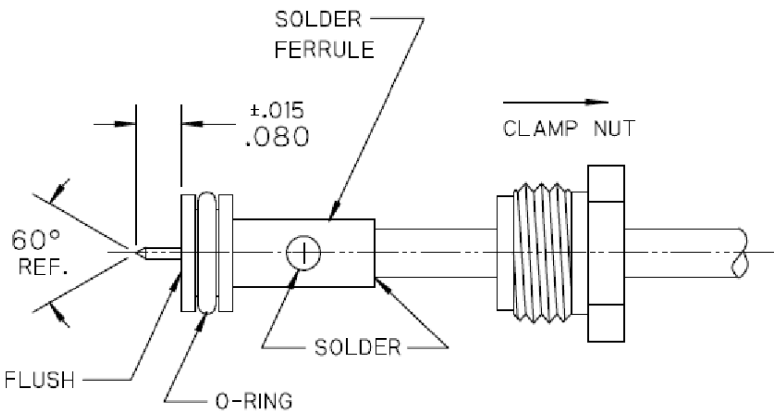
STEP 2

2A. SLIDE CLAMP NUT OVER CABLE AS SHOWN.

2B. INSERT CABLE INTO SOLDER FERRULE UNTIL SEATED AND SOLDER WHERE SHOWN.

2C. TRIM CABLE DIELECTRIC FLUSH TO FACE OF SOLDER FERRULE (DO NOT NICK CENTER CONDUCTOR).

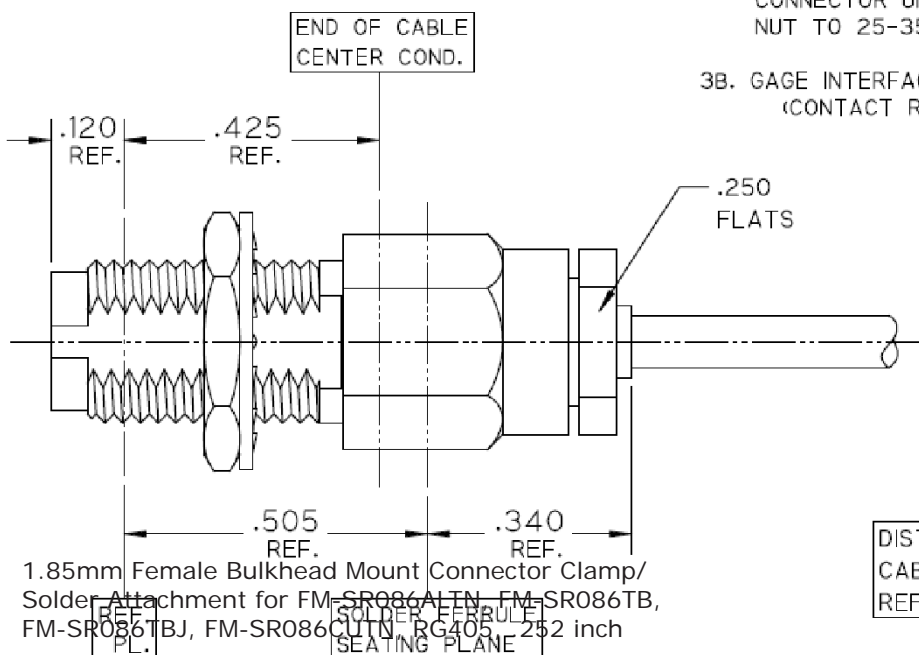
2D. INSTALL O-RING INTO GROOVE IN SOLDER FERRULE FLANGE AS SHOWN.



STEP 3

3A. INSERT CABLE/FERRULE SUB-ASSEMBLY INTO CONNECTOR UNTIL SEATED AND TIGHTEN CLAMP NUT TO 25-35 IN-LBS.

3B. GAGE INTERFACE USING APPROPRIATE GAGE. (CONTACT RANGE .000/.003 SUB-FLUSH)



1.85mm Female Bulkhead Mount Connector Clamp/
Solder Attachment for FM-SR086ALTN, FM-SR086TB,
FM-SR086TBJ, FM-SR086CUTN, RG405 - 252 inch

DISTANCE FROM END OF
CABLE CENTER COND. TO
REF. PL. IS .425 (REF.)

BMMA Female (Jack) Connector Solder Attachment
Snap in for FM-SR086CU, FM-SR086CUTN, FM-SR086ALTN, FM-SR086TB, FM-SR086TBJ, 0.085 Cable



FMCN5136

Configuration

- BMMA Female Connector
- 50 Ohms
- Straight Body Geometry
- Connector Interface Types: FM-SR086CU, FM-SR086CUTN, FM-SR086ALTN, FM-SR086TB, FM-SR086TBJ, FM-F086, 0.085 Cable, RG405
- Snap in

Features

- Operating Frequency of 22 GHz Max.
- Good VSWR of 1.35:1
- Gold Plated Beryllium Copper Contact

Applications

- General Purpose Test
- Custom Cable Assemblies

Description

BMMA Female Snap in Mount Standard Snap in Mount Connector Solder Attachment for FM-SR086CU, FM-SR086CUTN, FM-SR086ALTN, FM-SR086TB, FM-SR086TBJ, FM-F086, 0.085 Cable and RG405 Cable, part number FMCN5136, from Fairview Microwave is in-stock and ships same day. This BMMA female connector operates up to a maximum frequency of 22 GHz and offers good VSWR of 1.35:1.

Fairview's BMMA female snap in connector FMCN5136 datasheet specifications and outline drawing are shown in this PDF below. Our extensive offering of RF, microwave and millimeter wave connectors allows designers to configure and customize their signal connections however they like. From providing an I/O for a board design to creating a custom cable assembly configuration, Fairview Microwave has a connector solution to meet your needs. Fairview Microwave also has the expertise to build your custom cable assemblies for you and ship them same-day.

Electrical Specifications

Description	Minimum	Typical	Maximum	Units
Frequency Range	DC		22	GHz
VSWR			1.35:1	
Insertion Loss			0.562	dB
Impedance		50		Ohms

Mechanical Specifications

Size

- Length 0.711 in [18.06 mm]
- Width 0.3 in [7.62 mm]
- Height 0.3 in [7.62 mm]
- Weight 0.005 lbs [2.27 g]
- Mating Cycles 500 Cycles

BMMA Female (Jack) Connector Solder Attachment
Snap in for FM-SR086CU, FM-SR086CUTN, FM-SR086ALTN, FM-SR086TB, FM-SR086TBJ, 0.085 Cable



FMCN5136

Material Specifications

Description	Material	Plating
Contact	Beryllium Copper	Gold
Insulation	PTFE	
Outer Conductor	Beryllium Copper	Gold
Body	Stainless Steel	Gold

Environmental Specifications

Temperature

Operating Range -65 to +165 deg C

Compliance Certifications (see [product page](#) for current document)

Plotted and Other Data

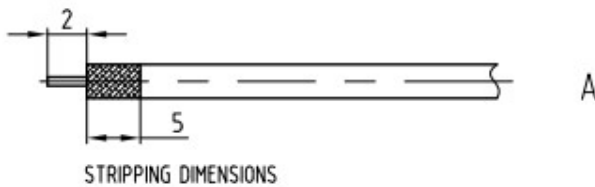
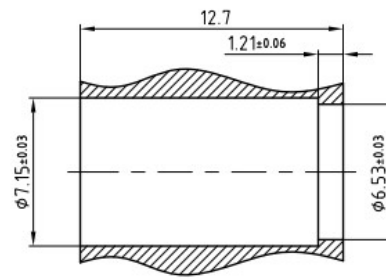
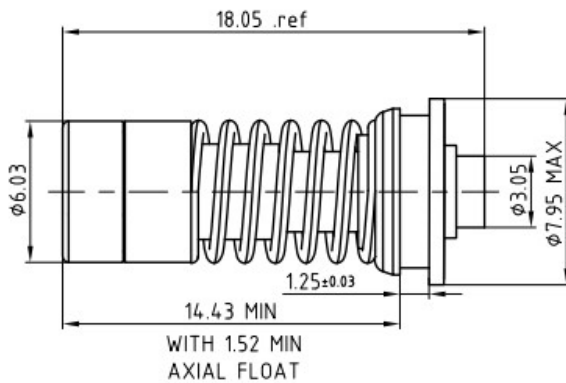
Notes:

BMMA Female (Jack) Connector Solder Attachment
Snap in for FM-SR086CU, FM-SR086CUTN, FM-SR086ALTN, FM-SR086TB, FM-SR086TBJ, 0.085 Cable



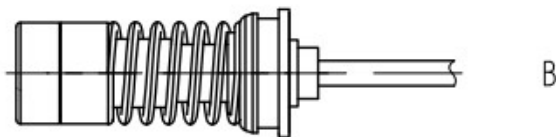
FMCN5136

Assembly Instruction



ASSEMBLY PROCEDURES

1. STRIP CABLE AS SHOWN IN (A). DO NOT NICK INNER CONDUCTOR.
2. PRE-TIN CABLE JACKET TO APPROXIMATE DIMENSION AS SHOWN IN (A).
3. INSERT CABLE THRU ADAPTER UNTIL IT BOTTOMS. SOLDER



BMMA Female (Jack) Connector Solder Attachment
Snap in for FM-SR086CU, FM-SR086CUTN, FM-
SR086ALTN, FM-SR086TB, FM-SR086TBJ, 0.085 Cable



FMCN5136

BMMA Female (Jack) Connector Solder Attachment Snap in for FM-SR086CU, FM-SR086CUTN, FM-SR086ALTN, FM-SR086TB, FM-SR086TBJ, 0.085 Cable from Fairview Microwave is in-stock and available to ship same-day. All of our RF/microwave products are available off-the-shelf from our ISO 9001:2008 certified facilities in Lewisville, Texas. Fairview Microwave is RF on-demand.

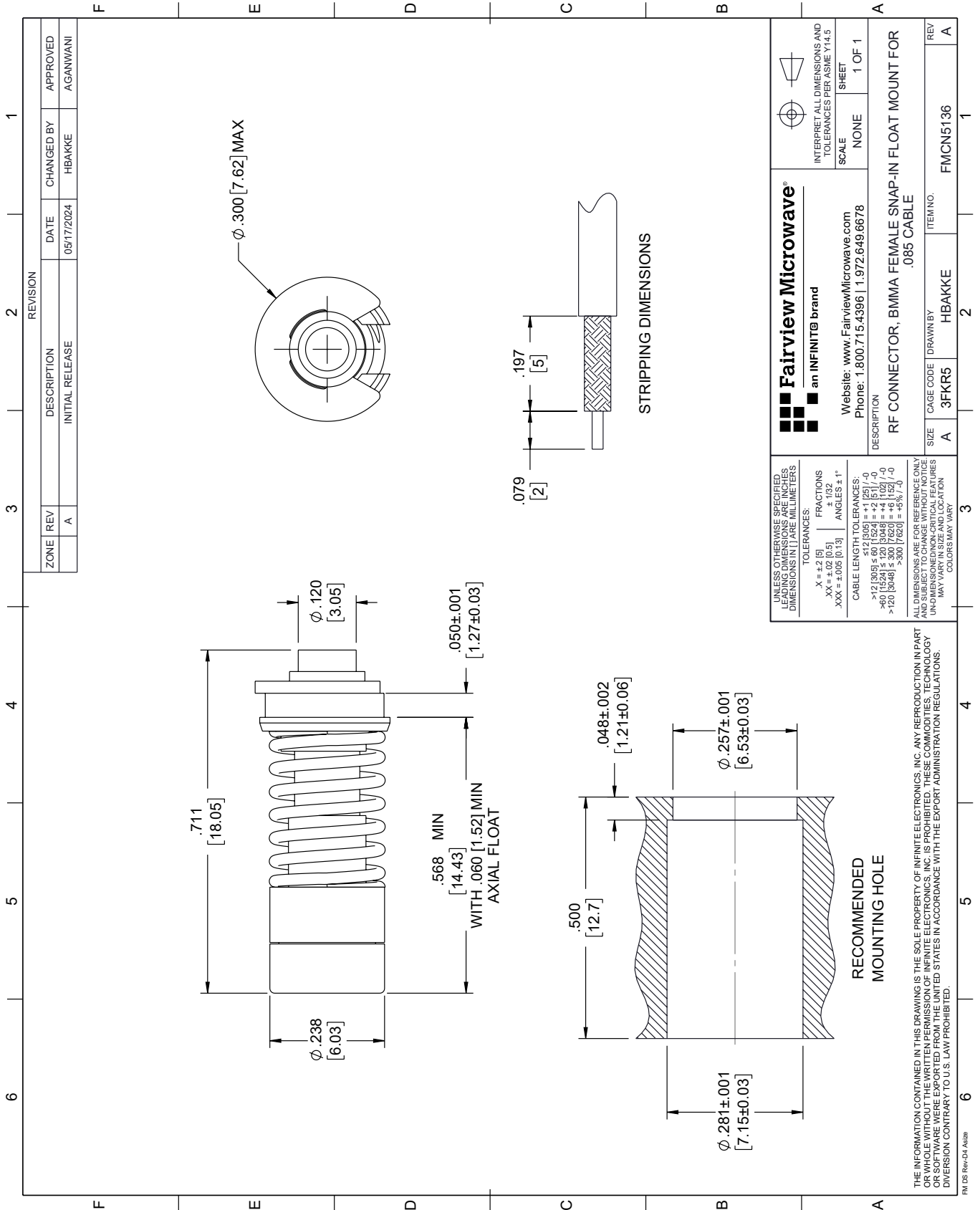
For additional information on this product, please click the following link: [BMMA Female \(Jack\) Connector Solder Attachment Snap in for FM-SR086CU, FM-SR086CUTN, FM-SR086ALTN, FM-SR086TB, FM-SR086TBJ, 0.085 Cable FMCN5136](#)

URL: <https://www.fairviewmicrowave.com/bmma-female-.085-cable-connector-fmcn5136-p.aspx>

The information contained within this document is accurate to the best of our knowledge and representative of the part described herein. It may be necessary to make modifications to the part and/or the documentation of the part in order to implement improvements. Fairview Microwave reserves the right to make such changes as required. Unless otherwise stated, all specifications are nominal. Fairview Microwave does not make any representation or warranty regarding the suitability of the part described herein for any particular purpose, and Fairview Microwave does not assume liability arising out of the use of any part or document.

FMCN5136 CAD Drawing

BMMA Female (Jack) Connector Solder Attachment Snap in for FM-SR086CU, FM-SR086CUTN, FM-SR086ALTN, FM-SR086TB, FM-SR086TBJ, 0.085 Cable



RG405 Type .086 Semi-Rigid Coax Cable with a Tin Plated Aluminum Outer Conductor in Coiled Sections

.086 diameter semi-rigid coaxial cable is the cable of choice for many RF and Microwave engineers. 0.086 cables sometimes referred to as RG405 based on the mil specification for semi-rigid cable of this diameter has a maximum operating frequency of 40 GHz. This form factor is widely used in the RF industry and many connector series and configurations are available for this cable. Because of the solid copper wall design the cable can be formed using proper tooling with a minimum inside bend radius of .07 inches.

Electrical Specifications

Description	Min	Typ	Max	Units
Frequency Range	DC		40	GHz
Impedance		50		Ohms
DWV (AC)			5,000	Vrms

Performance by Frequency Band

Description	F1	F2	F3	F4	F5	Units
Frequency	1	10	20			GHz
Attenuation, Typ	23 75.46	81 265.75	131 429.79			dB/100ft dB/100m
Power In (CW), Max	130	35	20			Watts

Mechanical Specifications

Min. Bend Radius (Installation) 0.07 in [1.78 mm]

Construction Specifications

Description	Material and Plating	Diameter
Inner Conductor	Copper Clad Steel, Silver	0.02 in [0.51 mm]
Conductor Type	Solid	
Dielectric	PTFE	0.066 in [1.68 mm]
Outer Conductor	Aluminum, Tin	0.086 in [2.18 mm]

Environmental Specifications

Temperature

Operating Range -55 to +125 deg C

Compliance Certifications (visit www.FairviewMicrowave.com for current document)

REACH Compliant 12/17/2014

Plotted and Other Data

Notes:



Configuration:

- Semi-Rigid Cable

Features:

- Silver Plated Copper Clad Steel center conductor
- PTFE dielectric material
- Aluminum Tinned Outer Conductor
- Operating to 40 GHz
- Minimum inside bend radius of .07 inches
- ROHS compliant

Applications:

- RF and Microwave Cable Assemblies to 40 GHz
- Preformed cable assemblies to insure fit and layout
- Test Equipment port jumpers

Fairview Microwave
 1130 Junction Dr. #100
 Allen, TX 75013
 Tel: 1-800-715-4396 / (972) 649-6678
 Fax: (972) 649-6689
www.fairviewmicrowave.com
sales@fairviewmicrowave.com

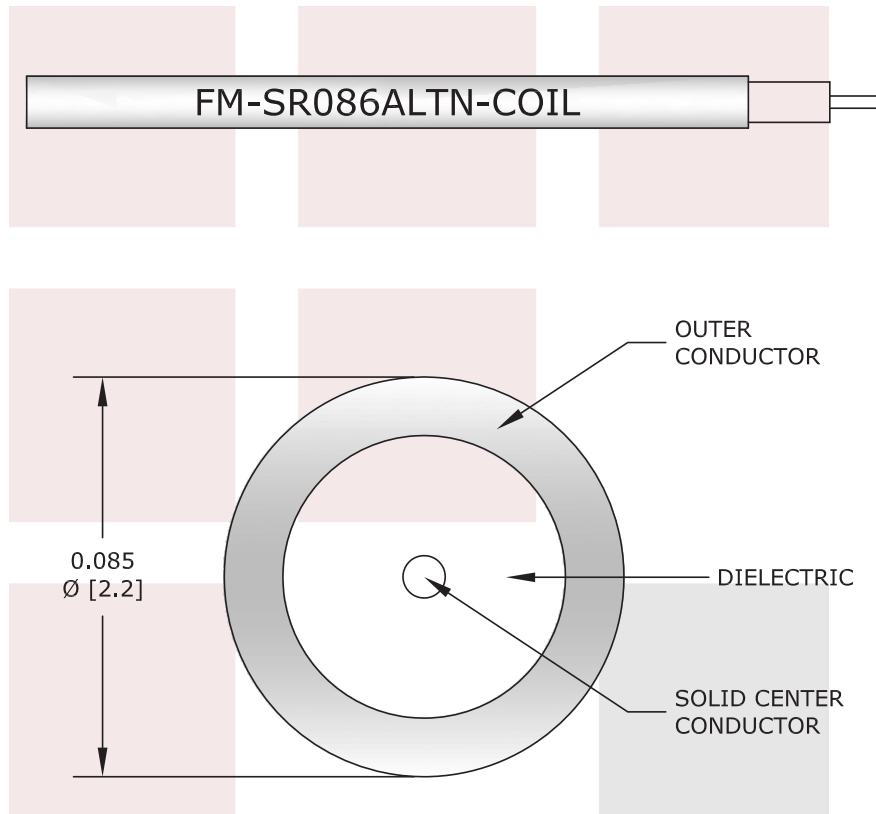
RG405 Type .086 Semi-Rigid Coax Cable with a Tin Plated Aluminum Outer Conductor in Coiled Sections from Fairview Microwave has same day shipment for domestic and International orders. Our RF, microwave and fiber optic products maintain a 99% availability and are part of the broadest selection in the industry.

Click the following link to obtain additional part information: [RG405 Type .086 Semi-Rigid Coax Cable with a Tin Plated Aluminum Outer Conductor in Coiled Sections FM-SR086ALTN-COIL](#)

URL: <http://www.fairviewmicrowave.com/rg405-type-.086-semi-rigid-coax-cable-tin-plated-aluminum-fm-sr086altn-coil-p.aspx>

The information contained in this document is accurate to the best of our knowledge and representative of the part described herein. It may be necessary to make modifications to the part and/or the documentation of the part, in order to implement improvements. Fairview Microwave reserves the right to make such changes as required. Unless otherwise stated, all specifications are nominal. Fairview Microwave does not make any representation or warranty regarding the suitability of the part described herein for any particular purpose, and Fairview Microwave does not assume any liability arising out of the use of any part or documentation.





FAIRVIEW MICROWAVE INC. ALLEN, TX 75013 WWW.FAIRVIEWMICROWAVE.COM		NOTES: 1. UNLESS OTHERWISE SPECIFIED ALL DIMENSIONS ARE NOMINAL. 2. ALL SPECIFICATIONS ARE SUBJECT TO CHANGE WITHOUT NOTICE AT ANY TIME. 3. DIMENSIONS ARE IN INCHES [mm].			
TITLE RG405 Type .086 Semi-Rigid Coax Cable with a Tin Plated Aluminum Outer Conductor in Coiled Sections		DWG NO FM-SR086ALTN-COIL		CAGE CODE 3FKR5	
		CAD FILE 012716	SHEET	SCALE N/A	SIZE A