

**N Male Connector Crimp/Solder Attachment for LMR-600 Cable**

**Times Microwave Systems Connector Specification**

Type N male connector with crimp/solder attachment for LMR-600, part number TC-600-NMH-X, from Fairview Microwave is in-stock and ships same day. This type N male connector operates up to a maximum frequency of 6 GHz and offers excellent VSWR of 1.25:1.

Fairview's type N male connector TC-600-NMH-X datasheet specifications and outline drawing are shown in this PDF below. Our extensive offering of RF, microwave and millimeter wave connectors allows designers to configure and customize their signal connections however they like. From providing an I/O for a board design to creating a custom cable assembly configuration, Fairview Microwave has a connector solution to meet your needs. Fairview Microwave also has the expertise to build your custom cable assemblies for you and ship them same-day.

**Electrical Specifications**

| Description           | Min   | Typ | Max    | Units |
|-----------------------|-------|-----|--------|-------|
| Frequency Range       | DC    |     | 6      | GHz   |
| VSWR                  |       |     | 1.25:1 |       |
| DWV (AC)              |       |     | 2,500  | Vrms  |
| Insulation Resistance | 5,000 |     |        | MOhms |

**Performance by Frequency**

| Description         | F1      | F2 | F3 | F4 | F5 | Units |
|---------------------|---------|----|----|----|----|-------|
| Freq. Range         | DC to 3 |    |    |    |    | GHz   |
| Insertion Loss, Max | 0.1     |    |    |    |    | dB    |

**Mechanical Specifications**

|               |                     |
|---------------|---------------------|
| <b>Size</b>   |                     |
| Length        | 1.82 in [46.23 mm]  |
| Width/Dia.    | 0.801 in [20.35 mm] |
| Weight        | 0.102 lbs [46.27 g] |
| Mating Torque | 44 in-lbs [4.97 Nm] |

**Material Specifications**

| Description  | Material | Plating                       |
|--------------|----------|-------------------------------|
| Contact      | Brass    | Gold<br>50µ in. minimum       |
| Insulation   | PTFE     |                               |
| Body         | Brass    | Tri-Metal<br>100µ in. minimum |
| Coupling Nut | Brass    | Tri-Metal<br>100µ in. minimum |



**Configuration:**

- N Male Connector
- 50 Ohms
- Straight Body Geometry
- LMR-600 Interface Type
- Crimp/Solder Attachment
- 20.57 mm Hex

**Features:**

- Operating Frequency of 6 GHz Max.
- Excellent VSWR of 1.25:1
- Gold Plated Brass Contact
- 50µ in. minimum contact plating

**Applications:**

- General Purpose Test
- Custom Cable Assemblies

Fairview Microwave  
301 Leora Ln., Suite 100  
Lewisville, TX 75056  
Tel: 1-800-715-4396 / (972) 649-6678  
Fax: (972) 649-6689  
www.fairviewmicrowave.com  
sales@fairviewmicrowave.com

## Environmental Specifications

### Temperature

|                 |                                      |
|-----------------|--------------------------------------|
| Operating Range | -55 to +155 deg C                    |
| Shock           | MIL-STD 202, Method 213, Condition I |
| Vibration       | MIL-STD 202, Method 204, Condition B |

## Compliance Certifications (see [product page](#) for current document)

## Plotted and Other Data

Notes:

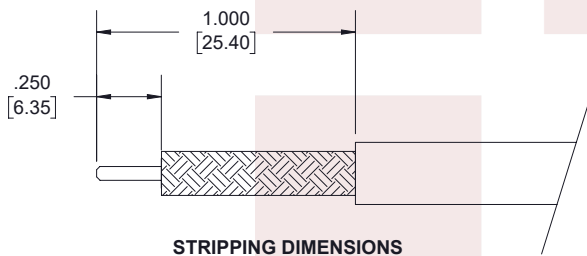
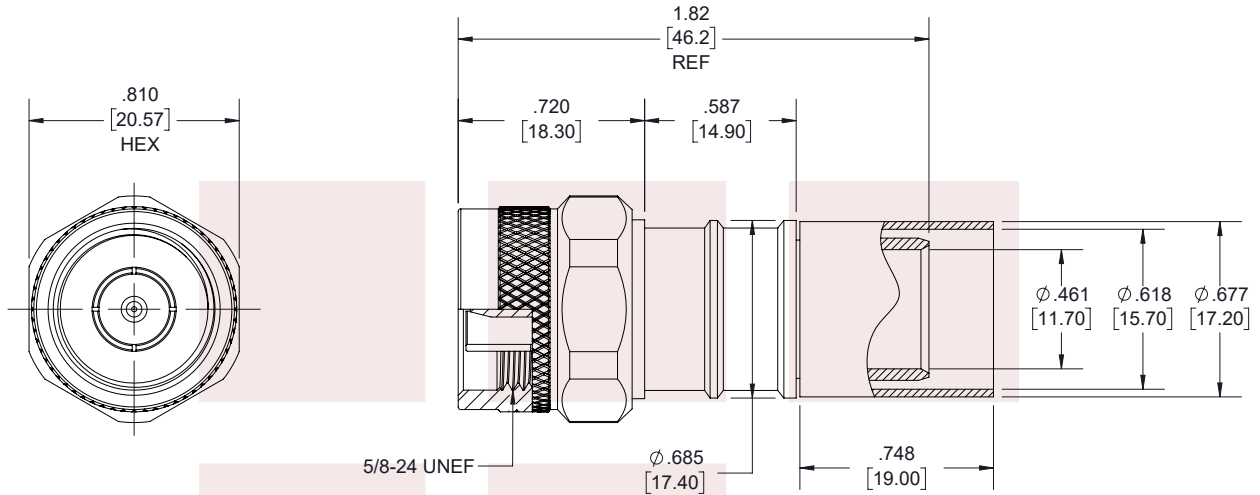
N Male Connector Crimp/Solder Attachment for LMR-600 Cable from Fairview Microwave is in-stock and available to ship same-day. All of our RF/microwave products are available off-the-shelf from our ISO 9001:2008 certified facilities in Lewisville, Texas. Fairview Microwave is RF on-demand.

For additional information on this product, please click the following link: [N Male Connector Crimp/Solder Attachment for LMR-600 Cable TC-600-NMH-X](#)

URL: <https://www.fairviewmicrowave.com/n-male-lmr-600-connector-tc-600-nmh-x-p.aspx>

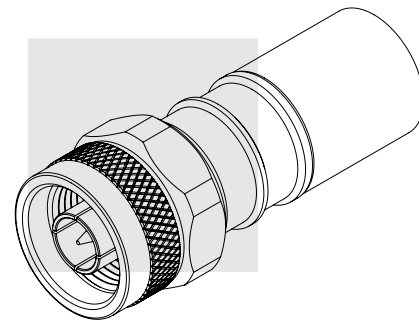
The information contained in this document is accurate to the best of our knowledge and representative of the part described herein. It may be necessary to make modifications to the part and/or the documentation of the part, in order to implement improvements. Fairview Microwave reserves the right to make such changes as required. Unless otherwise stated, all specifications are nominal. Fairview Microwave does not make any representation or warranty regarding the suitability of the part described herein for any particular purpose, and Fairview Microwave does not assume any liability arising out of the use of any part or documentation.

| REVISIONS |                 |          |          |
|-----------|-----------------|----------|----------|
| REV.      | DESCRIPTION     | DATE     | APPROVED |
| A         | INITIAL RELEASE | 1/7/2020 | S.ELLIS  |



**NOTES:**

- CABLE ATTACHMENT:
  - OUTER: CRIMP.
  - INNER: SOLDER.
- CRIMP SIZE REQUIRED:
  - FERRULE: .618 [15.70] HEX. CRIMP TOOL.
  - CONTACT: SOLDER.



THESE COMMODITIES, TECHNOLOGY OR SOFTWARE WERE EXPORTED FROM THE UNITED STATES IN ACCORDANCE WITH THE EXPORT ADMINISTRATION REGULATIONS. DIVERSION CONTRARY TO U.S. LAW PROHIBITED.

TITLE  
N Male Connector Crimp/Solder Attachment for LMR-600 Cable

UNLESS OTHERWISE SPECIFIED LEADING DIMENSIONS ARE INCHES  
DIMENSIONS IN [ ] ARE MILLIMETERS

TOLERANCES: CABLE LENGTH (L) TOLERANCES:

|                    |             |   |
|--------------------|-------------|---|
| .X = ±.2 [5.08]    | FRACTIONS   | L ≤ 12 [305] = +1 [25] / -0                 |
| .XX = ±.02 [.51]   | ± 1/32      | 12 [305] < L ≤ 60 [1524] = +2 [51] / -0     |
| .XXX = ±.005 [.13] | ANGLES ± 1° | 60 [1524] < L ≤ 120 [3048] = +4 [102] / -0  |
|                    |             | 120 [3048] < L ≤ 300 [7620] = +6 [152] / -0 |
|                    |             | 300 [7620] < L = +5%L / -0                  |

THIRD-ANGLE PROJECTION



THE INFORMATION AND DESIGN IN THIS DOCUMENT IS THE PROPERTY OF FAIRVIEW MICROWAVE CORPORATION. ALL RIGHTS RESERVED.

SHEET 1 OF 1

ALL DIMENSIONS SHOWN ARE FOR REFERENCE ONLY.

SCALE N/A

|           |                    |                    |                          |          |
|-----------|--------------------|--------------------|--------------------------|----------|
| SIZE<br>A | CAGE CODE<br>3FKR5 | DRAWN BY<br>K.DANG | ITEM NO.<br>TC-600-NMH-X | REV<br>A |
|-----------|--------------------|--------------------|--------------------------|----------|

T-Rev.D

## 7/16 DIN Female Bulkhead Mount Connector Crimp/ Solder Attachment for LMR-600, LMR-600-DB, 0.600 inch, 1.161 inch DD Hole

7/16 DIN female bulkhead connector with crimp/solder attachment for LMR-600, LMR-600-DB and .600 inch (1.161 inch DD hole), part number FMCN1836, from Fairview Microwave is in-stock and ships same day. This 7/16 DIN female connector operates up to a maximum frequency of 7.5 GHz. Fairview's FMCN1836 bulkhead 7/16 DIN connector enables designers to make external connections on product enclosures, and can be used in a variety of other rack mount and panel mount applications.

Fairview's 7/16 DIN female bulkhead connector FMCN1836 datasheet specifications and outline drawing are shown in this PDF below. Our extensive offering of RF, microwave and millimeter wave connectors allows designers to configure and customize their signal connections however they like. From providing an I/O for a board design to creating a custom cable assembly configuration, Fairview Microwave has a connector solution to meet your needs. Fairview Microwave also has the expertise to build your custom cable assemblies for you and ship them same-day.

### Electrical Specifications

| Description     | Min | Typ | Max | Units |
|-----------------|-----|-----|-----|-------|
| Frequency Range | DC  |     | 7.5 | GHz   |

### Mechanical Specifications

|             |                      |
|-------------|----------------------|
| <b>Size</b> |                      |
| Length      | 2.07 in [52.58 mm]   |
| Width/Dia.  | 1.54 in [39.12 mm]   |
| Height      | 0.5 in [12.7 mm]     |
| Weight      | 0.351 lbs [159.21 g] |

### Material Specifications

| Description | Material | Plating   |
|-------------|----------|-----------|
| Contact     | Brass    | Silver    |
| Insulation  | PTFE     |           |
| Body        | Brass    | Tri-Metal |

### Environmental Specifications

|                    |                   |
|--------------------|-------------------|
| <b>Temperature</b> |                   |
| Operating Range    | -65 to +165 deg C |

**Compliance Certifications** (see [product page](#) for current document)

### Plotted and Other Data

Notes:



### Configuration:

- 7/16 DIN Female Connector
- 50 Ohms
- Straight Body Geometry
- LMR-600, LMR-600-DB, .600 inch Interface Type
- Crimp/Solder Attachment
- Bulkhead

### Features:

- Operating Frequency of 7.5 GHz Max.
- Silver Plated Brass Contact

### Applications:

- General Purpose Test
- Rack and Panel Mount Applications
- Custom Cable Assemblies

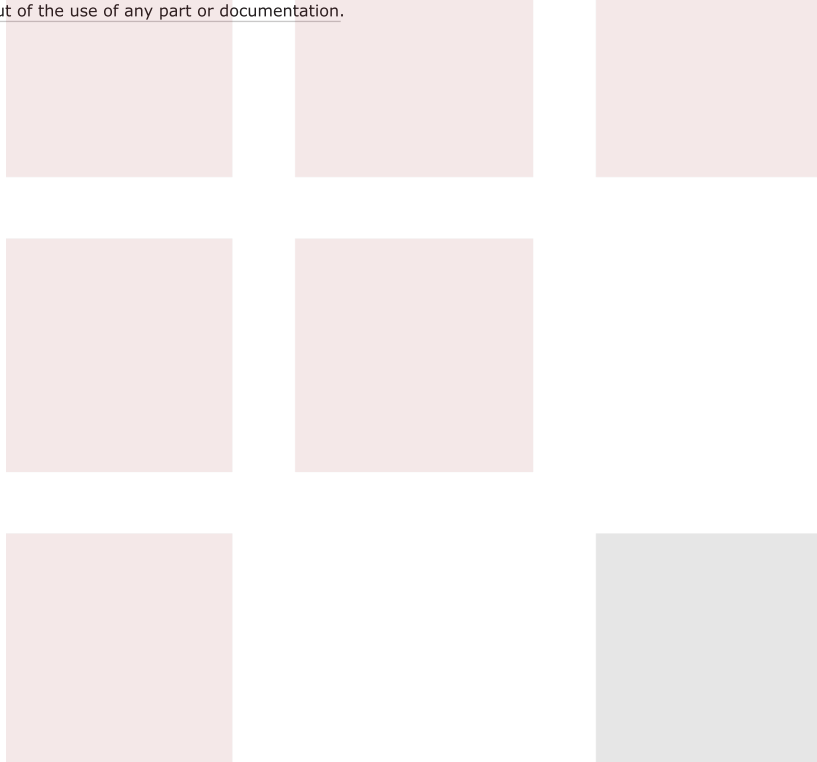
Fairview Microwave  
301 Leora Ln., Suite 100  
Lewisville, TX 75056  
Tel: 1-800-715-4396 / (972) 649-6678  
Fax: (972) 649-6689  
[www.fairviewmicrowave.com](http://www.fairviewmicrowave.com)  
[sales@fairviewmicrowave.com](mailto:sales@fairviewmicrowave.com)

7/16 DIN Female Bulkhead Mount Connector Crimp/Solder Attachment for LMR-600, LMR-600-DB, 0.600 inch, 1.161 inch DD Hole from Fairview Microwave is in-stock and available to ship same-day. All of our RF/microwave products are available off-the-shelf from our ISO 9001:2008 certified facilities in Lewisville, Texas. Fairview Microwave is RF on-demand.

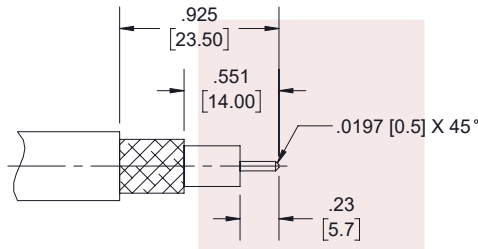
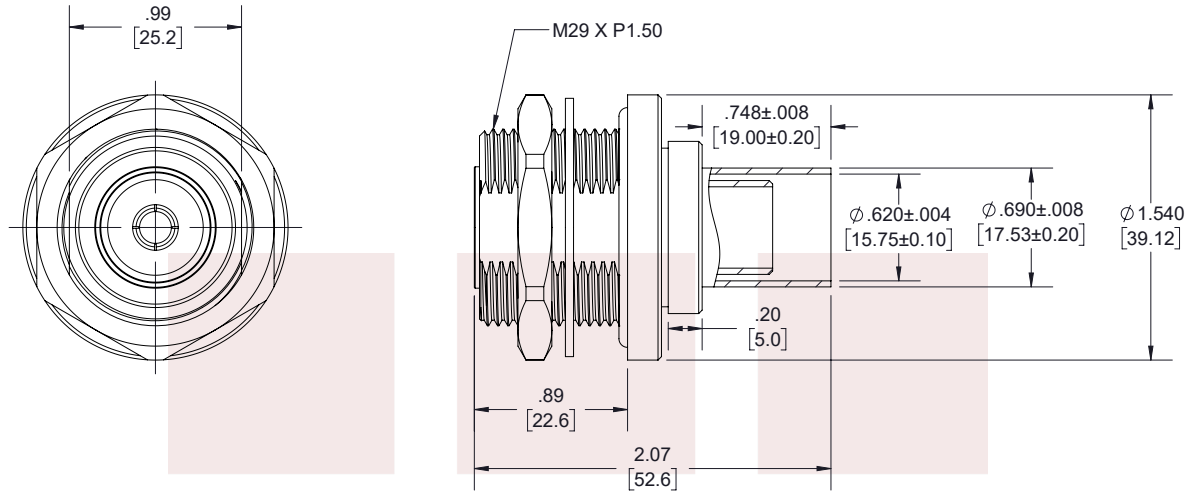
For additional information on this product, please click the following link: [7/16 DIN Female Bulkhead Mount Connector Crimp/Solder Attachment for LMR-600, LMR-600-DB, 0.600 inch, 1.161 inch DD Hole FMCN1836](#)

URL: <https://www.fairviewmicrowave.com/7-16-din-female-lmr-600-lmr-600-db-.600-connector-fmcn1836-p.aspx>

The information contained in this document is accurate to the best of our knowledge and representative of the part described herein. It may be necessary to make modifications to the part and/or the documentation of the part, in order to implement improvements. Fairview Microwave reserves the right to make such changes as required. Unless otherwise stated, all specifications are nominal. Fairview Microwave does not make any representation or warranty regarding the suitability of the part described herein for any particular purpose, and Fairview Microwave does not assume any liability arising out of the use of any part or documentation.



| REVISIONS |                 |            |           |
|-----------|-----------------|------------|-----------|
| REV.      | DESCRIPTION     | DATE       | APPROVED  |
| A         | INITIAL RELEASE | 02/11/2022 | A.GANWANI |



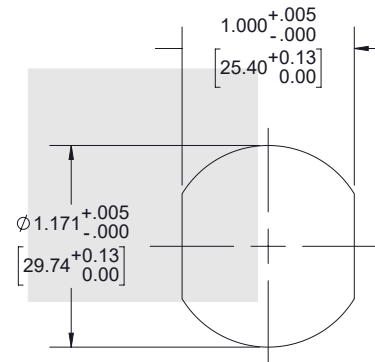
STRIPPING DIMENSIONS

**ASSEMBLY PROCEDURES:**

1. STRIP CABLE AS SHOWN & CHAMFER CENTER CONDUCTOR.
2. SLIDE FERRULE OVER CABLE. INSTALL CABLE INTO BODY OF CONNECTOR, PUSH UNTIL IT SEATS IN PLACE.
3. SLIDE FERRULE FORWARD AND BUTT AGAINST CONNECTOR SHOULDER, THEN CRIMP FERRULE.

**CRIMP SIZE REQUIRED:**

FERRULE: .610" [15.5] HEX. CRIMP TOOL.



MOUNTING HOLE

THESE COMMODITIES, TECHNOLOGY OR SOFTWARE WERE EXPORTED FROM THE UNITED STATES IN ACCORDANCE WITH THE EXPORT ADMINISTRATION REGULATIONS. DIVERSION CONTRARY TO U.S. LAW PROHIBITED.

TITLE

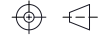
7/16 DIN Female Bulkhead Mount Connector Crimp/  
Solder Attachment for LMR-600, LMR-600-DB, 0.600  
inch, 1.161 inch DD Hole

UNLESS OTHERWISE SPECIFIED LEADING DIMENSIONS ARE INCHES  
DIMENSIONS IN [ ] ARE MILLIMETERS

TOLERANCES: CABLE LENGTH (L) TOLERANCES:

|                     |                  |   |
|---------------------|------------------|---|
| .X = ±.2 [5.08]     | FRACTIONS ± 1/32 | L ≤ 12 [305] = +1 [25] / -0                 |
| .XX = ±.02 [ .51]   | ANGLES ± 1°      | 12 [305] < L ≤ 60 [1524] = +2 [51] / -0     |
| .XXX = ±.005 [ .13] |                  | 60 [1524] < L ≤ 120 [3048] = +4 [102] / -0  |
|                     |                  | 120 [3048] < L ≤ 300 [7620] = +6 [152] / -0 |
|                     |                  | 300 [7620] < L = +5%L / -0                  |

THIRD-ANGLE PROJECTION



THE INFORMATION AND DESIGN IN THIS DOCUMENT IS THE PROPERTY OF FAIRVIEW MICROWAVE CORPORATION. ALL RIGHTS RESERVED.

SHEET 1 OF 1

ALL DIMENSIONS SHOWN ARE FOR REFERENCE ONLY.

SCALE

N/A

|           |                    |                       |                      |          |
|-----------|--------------------|-----------------------|----------------------|----------|
| SIZE<br>A | CAGE CODE<br>3FKR5 | DRAWN BY<br>K.GLEBOVA | ITEM NO.<br>FMCN1836 | REV<br>A |
|-----------|--------------------|-----------------------|----------------------|----------|

T-Rev.D

## Times Microwave LMR-600-UF Low Loss Flexible Coax Cable Black TPE Jacket Ultra Flex

### Times Microwave Systems Coax Cable Specification

LMR-600-UF Ultra Flex version of the 600 series Low Loss Coax from Times Microwave is part of the large product offering by Fairview Microwave of radio frequency coaxial cable types specifically stocked to be ready for same-day shipment. Fairview Microwave LMR-600-UF coax cable is manufactured in an ultra flexible design and has a 50 Ohm impedance. This low loss and ultra flexible 50 Ohm coax cable LMR-600-UF is constructed with a 0.590 inch diameter and Black TPE jacket.

LMR-600-UF flexible 50 Ohm coax cable with TPE jacket is rated for a 5.8 GHz maximum operating frequency. This 50 Ohm 0.590 inch diameter and low loss ultra flexible coax cable is built with an aluminum double shield count and RF shielding of 90 dB. Times Microwave LMR-600-UF TPE coax is constructed with Foam PE dielectric and a maximum operating temperature of 85 degrees C. Fairview Microwave's offering of LMR-600-UF coax cable provides specs for this wire on its RF coax cable LMR-600-UF datasheet.

LMR-600-UF cable is part of more than one million RF, microwave parts in stock at Fairview Microwave. This Times Microwave low loss ultra flexible LMR-600-UF coax cable is ready to buy and can be shipped worldwide. Fairview Microwave also maintains a wide selection of other radio frequency coaxial cable types that ship same-day from our warehouse as with the rest of our other RF/microwave components.

\* LMR™ is a trademark of Times Microwave Systems.

### Electrical Specifications

| Description                | Min | Typ         | Max   | Units        |
|----------------------------|-----|-------------|-------|--------------|
| Frequency Range            | DC  |             | 5.8   | GHz          |
| Impedance                  |     | 50          |       | Ohms         |
| Velocity of Propagation    |     | 87          |       | %            |
| Time Delay                 |     | 1.17 [3.84] |       | ns/ft [ns/m] |
| Shielding Effectiveness    | 90  |             |       | dB           |
| DWV (DC)                   |     |             | 4,000 | Vdc          |
| Jacket Spark               |     |             | 8,000 | Vrms         |
| Inner Conductor DC Resist. |     |             | 0.43  | Ohms/1000ft  |
| Outer Conductor DC Resist. |     |             | 1.2   | Ohms/1000ft  |
| Nominal Capacitance        |     | 23.4        |       | pF/ft        |
|                            |     | [76.77]     |       | [pF/m]       |
| Nominal Inductance         |     | 0.058       |       | uH/ft        |
|                            |     | [0.19]      |       | [uH/m]       |
| Input Power (Peak)         |     |             | 40    | kWatts       |

### Performance by Frequency Band

| Description      | F1  | F2   | F3   | F4   | F5   | Units    |
|------------------|-----|------|------|------|------|----------|
| Frequency        | 50  | 150  | 220  | 450  | 900  | MHz      |
| Attenuation, Typ | 0.7 | 1.2  | 1.4  | 2.1  | 3    | dB/100ft |
|                  | 2.3 | 3.94 | 4.59 | 6.89 | 9.84 | dB/100m  |



### Configuration:

- Low Loss, Outdoor Flexible Cable
- 2 Shield(s)

### Features:

- Max Operating Frequency of 5.8 GHz
- Phase Velocity 87% VoP
- Stranded Center Conductor Resulting in an Ultra Flexible Coax
- Max Operating Temperature +85°C
- TPE Jacket
- Min Install Bend Radius of 1.5 inches

### Applications:

- Laboratory Applications
- General Purpose RF Interconnect
- RF Test Systems Requiring Highly Flexible Coax
- Antenna Installs

Fairview Microwave  
301 Leora Ln., Suite 100  
Lewisville, TX 75056  
Tel: 1-800-715-4396 / (972) 649-6678  
Fax: (972) 649-6689  
[www.fairviewmicrowave.com](http://www.fairviewmicrowave.com)  
[sales@fairviewmicrowave.com](mailto:sales@fairviewmicrowave.com)

Power In (CW), Max 3,530 2,000 1,640 1,120 770 Watts

| Description        | F6    | F7    | F8    | F9    | F10   | Units    |
|--------------------|-------|-------|-------|-------|-------|----------|
| Frequency          | 1.5   | 1.8   | 2     | 2.5   | 5.8   | GHz      |
| Attenuation, Typ   | 4     | 4.4   | 4.7   | 5.3   | 8.7   | dB/100ft |
|                    | 13.12 | 14.44 | 15.42 | 17.39 | 28.54 | dB/100m  |
| Power In (CW), Max | 580   | 520   | 490   | 430   | 260   | Watts    |

### Mechanical Specifications

|                                 |                          |
|---------------------------------|--------------------------|
| Diameter                        | 0.59 in [14.99 mm]       |
| Weight                          | 0.165 lbs/ft [0.25 Kg/m] |
| Min. Bend Radius (Installation) | 1.5 in [38.1 mm]         |
| Min. Bend Radius (Repeated)     | 6 in [152.4 mm]          |
| Bending Moment                  | 1.75 lbs-ft [2.37 N-m]   |
| Tensile Strength                | 350 lbs [158.76 kg]      |
| Flat Plate Crush                | 40 lbs/in [0.71 Kg/mm]   |

### Construction Specifications

| Description     | Material and Plating | Diameter            |
|-----------------|----------------------|---------------------|
| Inner Conductor | Copper, 1 Strands    | 0.176 in [4.47 mm]  |
| Conductor Type  | Stranded             |                     |
| Dielectric      | Foam PE              | 0.455 in [11.56 mm] |
| First Shield    | Aluminum Tape        | [ ]                 |
| Second Shield   | Tinned Copper        | [ ]                 |
| Jacket          | TPE, Black           | 0.59 in [14.99 mm]  |

### Environmental Specifications

#### Temperature

|                    |                  |
|--------------------|------------------|
| Operating Range    | -40 to +85 deg C |
| Installation Range | -40 to +85 deg C |
| Storage Range      | -70 to +85 deg C |

Environmental Specification Notes:  
Indoor/Outdoor

### Compliance Certifications (see [product page](#) for current document)

### Plotted and Other Data

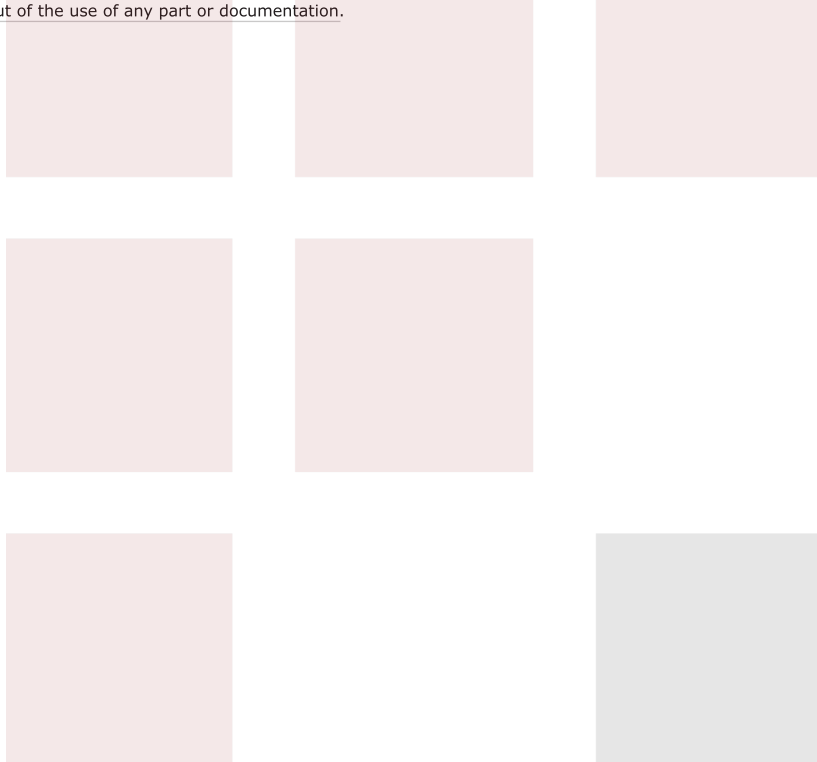
Notes:

Times Microwave LMR-600-UF Low Loss Flexible Coax Cable Black TPE Jacket Ultra Flex from Fairview Microwave has same day shipment for domestic and International orders. Our RF, microwave and fiber optic products maintain a 99% availability and are part of the broadest selection in the industry.

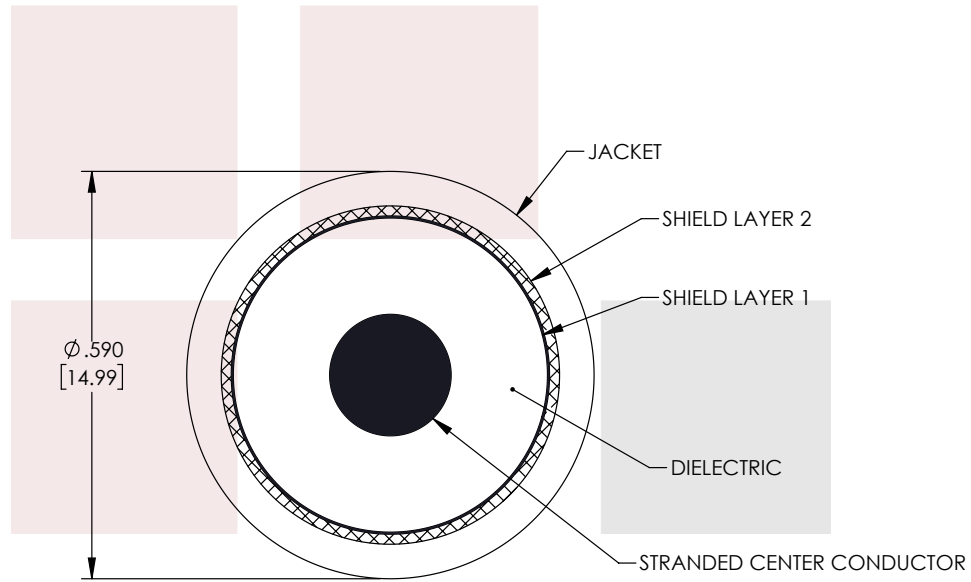
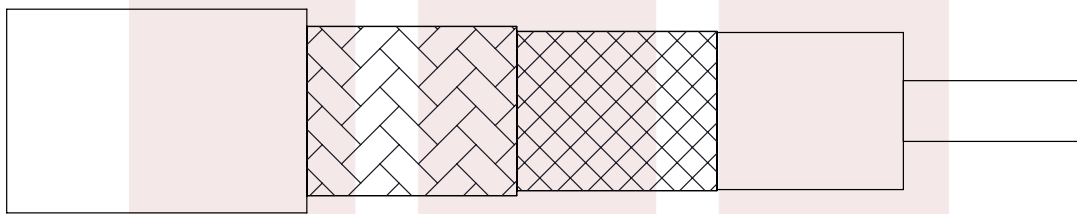
Click the following link to obtain additional part information: [Times Microwave LMR-600-UF Low Loss Flexible Coax Cable Black TPE Jacket Ultra Flex LMR-600-UF](#)

URL: <https://www.fairviewmicrowave.com/lmr-600-uf-low-loss-flexible-coax-cable-tpe-jacket-lmr-600-uf-p.aspx>

The information contained in this document is accurate to the best of our knowledge and representative of the part described herein. It may be necessary to make modifications to the part and/or the documentation of the part, in order to implement improvements. Fairview Microwave reserves the right to make such changes as required. Unless otherwise stated, all specifications are nominal. Fairview Microwave does not make any representation or warranty regarding the suitability of the part described herein for any particular purpose, and Fairview Microwave does not assume any liability arising out of the use of any part or documentation.



| REVISIONS |                 |            |          |
|-----------|-----------------|------------|----------|
| REV.      | DESCRIPTION     | DATE       | APPROVED |
| A         | INITIAL RELEASE | 06-04-2021 | SELLIS   |



THESE COMMODITIES, TECHNOLOGY OR SOFTWARE WERE EXPORTED FROM THE UNITED STATES IN ACCORDANCE WITH THE EXPORT ADMINISTRATION REGULATIONS. DIVERSION CONTRARY TO U.S. LAW PROHIBITED.

TITLE

Times Microwave LMR-600-UF Low Loss Flexible Coax Cable Black TPE Jacket Ultra Flex

UNLESS OTHERWISE SPECIFIED LEADING DIMENSIONS ARE INCHES  
DIMENSIONS IN [ ] ARE MILLIMETERS

TOLERANCES:

.X = ±.2 [5.08] FRACTIONS ± 1/32  
.XX = ±.02 [.51]  
.XXX = ±.005 [.13] ANGLES ± 1°

CABLE LENGTH (L) TOLERANCES:

L ≤ 12 [305] = +1 [25] / -0  
12 [305] < L ≤ 60 [1524] = +2 [51] / -0  
60 [1524] < L ≤ 120 [3048] = +4 [102] / -0  
120 [3048] < L ≤ 300 [7620] = +6 [152] / -0  
300 [7620] < L = +5%L / -0

THIRD-ANGLE PROJECTION



THE INFORMATION AND DESIGN IN THIS DOCUMENT IS THE PROPERTY OF FAIRVIEW MICROWAVE CORPORATION. ALL RIGHTS RESERVED.

SHEET 1 OF 1

ALL DIMENSIONS SHOWN ARE FOR REFERENCE ONLY.

SCALE

N/A

|           |                    |                        |                        |          |
|-----------|--------------------|------------------------|------------------------|----------|
| SIZE<br>A | CAGE CODE<br>3FKR5 | DRAWN BY<br>MVEERAPPAN | ITEM NO.<br>LMR-600-UF | REV<br>A |
|-----------|--------------------|------------------------|------------------------|----------|

T-Rev.D