

**RA Mini SMP Female Connector Solder Attachment
 For RG405 Cable**

RA Mini SMP female connector with solder attachment for RG405, part number SC5433, from Fairview Microwave is in-stock and ships same day. This Mini SMP female connector operates up to a maximum frequency of 40 GHz and offers good VSWR of 1.35:1. This blind mate connector is ideal for applications without direct visual or tactile access to the connection point, for example, when two circuit boards need to be mated. Its right angle body geometry facilitates connections in tight spaces.

Fairview's RA Mini SMP female connector SC5433 datasheet specifications and outline drawing are shown in this PDF below. Our extensive offering of RF, microwave and millimeter wave connectors allows designers to configure and customize their signal connections however they like. From providing an I/O for a board design to creating a custom cable assembly configuration, Fairview Microwave has a connector solution to meet your needs. Fairview Microwave also has the expertise to build your custom cable assemblies for you and ship them same-day.

Electrical Specifications

Description	Min	Typ	Max	Units
Frequency Range	DC		40	GHz
VSWR			1.35:1	

Mechanical Specifications

Size	
Length	0.25 in [6.35 mm]
Width/Dia.	0.156 in [3.96 mm]
Weight	0.0025 lbs [1.13 g]

Material Specifications

Description	Material	Plating
Contact	Beryllium Copper	Gold MIL-G-45204
Insulation	PTFE	
Outer Conductor	Beryllium Copper	Gold
Body	Beryllium Copper	Gold MIL-G-45204

Environmental Specifications

Temperature	
Operating Range	-55 to +125 deg C

Compliance Certifications (see [product page](#) for current document)

Plotted and Other Data

Notes:



Configuration:

- Mini SMP Female Connector
- 50 Ohms
- Right Angle Body Geometry
- RG405 Interface Type
- Solder Attachment

Features:

- Operating Frequency of 40 GHz Max.
- Good VSWR of 1.35:1
- Blind Mate Connector
- Gold Plated Beryllium Copper Contact
- Contact plating according to MIL-G-45204

Applications:

- General Purpose Test
- Custom Cable Assemblies

Fairview Microwave
 1130 Junction Dr. #100
 Allen, TX 75013
 Tel: 1-800-715-4396 / (972) 649-6678
 Fax: (972) 649-6689
www.fairviewmicrowave.com
sales@fairviewmicrowave.com

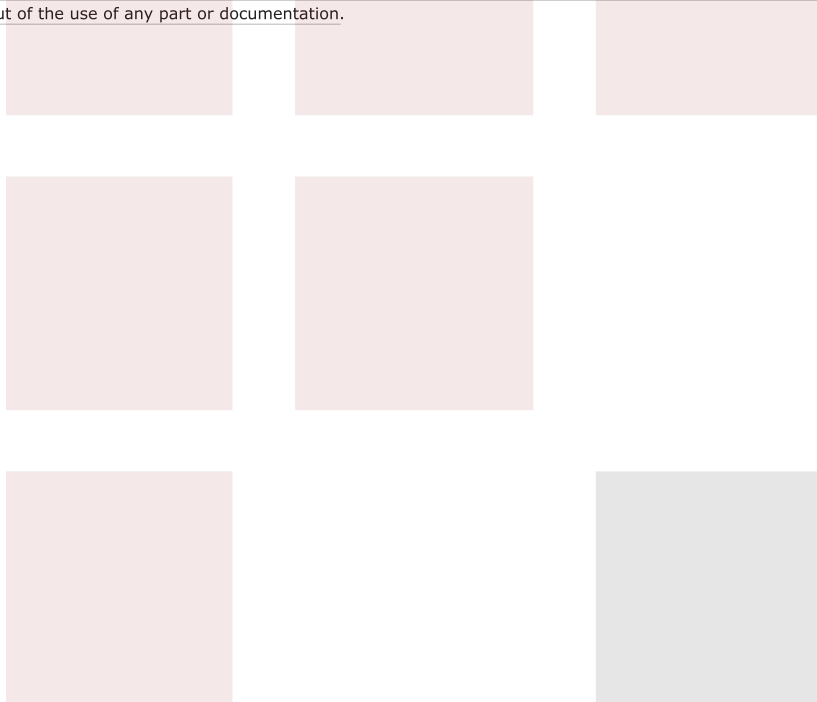
Assembly Instruction

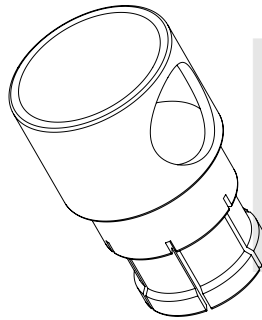
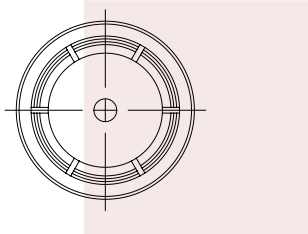
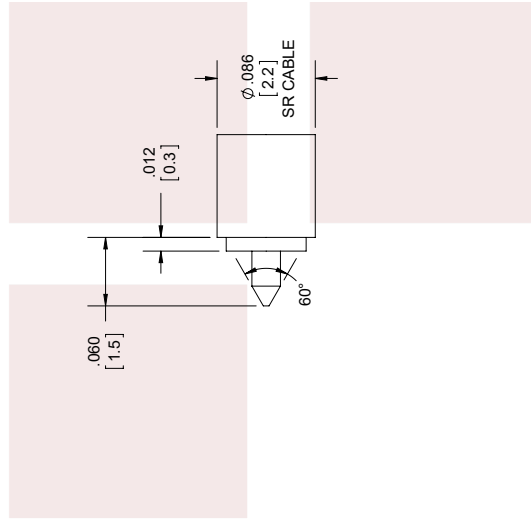
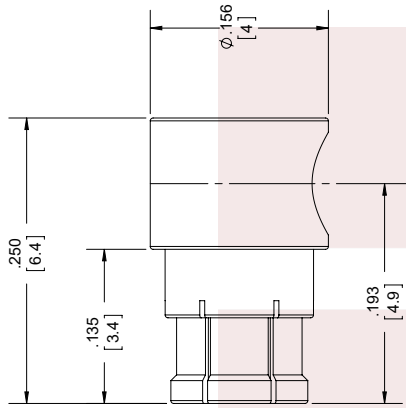
RA Mini SMP Female Connector Solder Attachment For RG405 Cable from Fairview Microwave is in-stock and available to ship same-day. All of our RF/microwave products are available off-the-shelf from our ISO 9001:2008 certified facilities in Allen, Texas. Fairview Microwave is RF on-demand.

For additional information on this product, please click the following link: [RA Mini SMP Female Connector Solder Attachment For RG405 Cable SC5433](#)

URL: <https://www.fairviewmicrowave.com/mini-smp-female-rg405-connector-sc5433-p.aspx>

The information contained in this document is accurate to the best of our knowledge and representative of the part described herein. It may be necessary to make modifications to the part and/or the documentation of the part, in order to implement improvements. Fairview Microwave reserves the right to make such changes as required. Unless otherwise stated, all specifications are nominal. Fairview Microwave does not make any representation or warranty regarding the suitability of the part described herein for any particular purpose, and Fairview Microwave does not assume any liability arising out of the use of any part or documentation.





STANDARD TOLERANCES
.X ±0.2
.XX ±0.01
.XXX ±0.005

*STANDARD TOLERANCES APPLY
ONLY TO DIMENSIONS IN INCHES

FAIRVIEW MICROWAVE INC.
ALLEN, TX 75013 WWW.FAIRVIEWMICROWAVE.COM

NOTES: 1. UNLESS OTHERWISE SPECIFIED ALL DIMENSIONS ARE NOMINAL. 2. ALL SPECIFICATIONS ARE SUBJECT TO CHANGE WITHOUT NOTICE AT ANY TIME. 3. DIMENSIONS ARE IN INCHES [mm].		CAGE CODE 3FKR5	
DWG NO SC5433	SHEET 1 OF 1	SCALE N/A	SIZE A
TITLE		CAD FILE 071317	223

RA Mini SMP Female Connector Solder Attachment For
RG405 Cable

BNC Female Bulkhead Mount Connector Clamp/ Solder Attachment for FM-SR086ALTN, FM-SR086TB, FM-SR086TBJ, RG405

BNC female bulkhead connector with clamp/solder attachment for FM-SR086ALTN, FM-SR086TBJ, FM-SR086TB and RG405, part number FMCN1912, from Fairview Microwave is in-stock and ships same day. Fairview's FMCN1912 bulkhead BNC connector enables designers to make external connections on product enclosures, and can be used in a variety of other rack mount and panel mount applications.

Fairview's BNC female bulkhead connector FMCN1912 datasheet specifications and outline drawing are shown in this PDF below. Our extensive offering of RF, microwave and millimeter wave connectors allows designers to configure and customize their signal connections however they like. From providing an I/O for a board design to creating a custom cable assembly configuration, Fairview Microwave has a connector solution to meet your needs. Fairview Microwave also has the expertise to build your custom cable assemblies for you and ship them same-day.

Mechanical Specifications

Size	
Length	1.15 in [29.21 mm]
Width/Dia.	0.688 in [17.48 mm]
Height	0.688 in [17.48 mm]
Weight	0.048 lbs [21.77 g]

Material Specifications

Description	Material	Plating
Body	Brass	Nickel

Compliance Certifications (see [product page](#) for current document)

Plotted and Other Data

Notes:

BNC Female Bulkhead Mount Connector Clamp/Solder Attachment for FM-SR086ALTN, FM-SR086TB, FM-SR086TBJ, RG405 from Fairview Microwave is in-stock and available to ship same-day. All of our RF/microwave products are available off-the-shelf from our ISO 9001:2008 certified facilities in Lewisville, Texas. Fairview Microwave is RF on-demand.

For additional information on this product, please click the following link: [BNC Female Bulkhead Mount Connector Clamp/Solder Attachment for FM-SR086ALTN, FM-SR086TB, FM-SR086TBJ, RG405 FMCN1912](#)

URL: <https://www.fairviewmicrowave.com/bnc-female-pe-sr405al-pe-sr405fl-rg405-connector-fmcn1912-p.aspx>

The information contained in this document is accurate to the best of our knowledge and representative of the part described herein. It may be necessary to make modifications to the part and/or the documentation of the part, in order to implement improvements. Fairview Microwave reserves the right to make such changes as required. Unless otherwise stated, all specifications are nominal. Fairview Microwave does not make any representation or warranty regarding the suitability of the part described herein for any particular purpose, and Fairview Microwave does not assume any liability arising out of the use of any part or documentation.



Configuration:

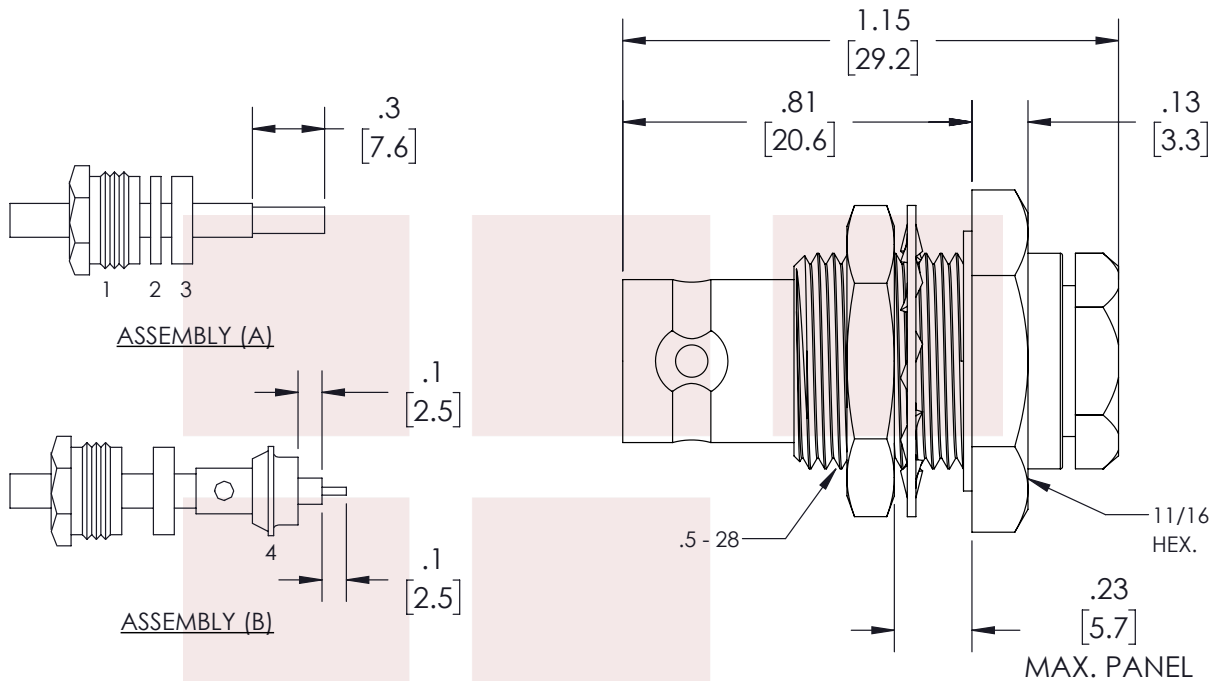
- BNC Female Connector
- 50 Ohms
- Straight Body Geometry
- FM-SR086ALTN, FM-SR086TBJ, FM-SR086TB, RG405 Interface Type
- Clamp/Solder Attachment
- Bulkhead

Applications:

- General Purpose Test
- Rack and Panel Mount Applications
- Custom Cable Assemblies

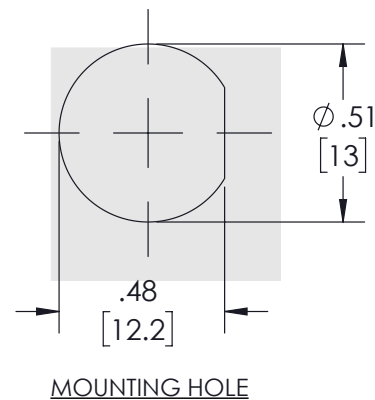
Fairview Microwave
301 Leora Ln., Suite 100
Lewisville, TX 75056
Tel: 1-800-715-4396 / (972) 649-6678
Fax: (972) 649-6689
www.fairviewmicrowave.com
sales@fairviewmicrowave.com

REVISIONS			
REV.	DESCRIPTION	DATE	APPROVED
A	INITIAL RELEASE	06/07/22	AGANWANI



ASSEMBLY PROCEDURES

1. SLIDE CLAMP NUT (1), WASHER (2) & GASKET (3) OVER CABLE. STRIP CABLE AS SHOWN IN ASSEMBLY (A). DO NOT CUT DIELECTRIC.
2. SLIDE ADAPTER (4) OVER CABLE UNTIL ADAPTER (4) BOTTOMS ON OUTER CONDUCTOR. SOLDER ADAPTER (4) TO OUTER CONDUCTOR USING MINIMUM HEAT.
3. STRIP CABLE AS SHOWN IN ASSEMBLY (B). SOLDER CONTACT TO CENTER CONDUCTOR. SLIDE ASSEMBLY FORWARD & TIGHTEN TO BODY.



THESE COMMODITIES, TECHNOLOGY OR SOFTWARE WERE EXPORTED FROM THE UNITED STATES IN ACCORDANCE WITH THE EXPORT ADMINISTRATION REGULATIONS. DIVERSION CONTRARY TO U.S. LAW PROHIBITED.

TITLE

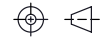
BNC Female Bulkhead Mount Connector Clamp/Solder Attachment for FM-SR086ALTN, FM-SR086TB, FM-SR086TBJ, RG405

UNLESS OTHERWISE SPECIFIED LEADING DIMENSIONS ARE INCHES
DIMENSIONS IN [] ARE MILLIMETERS

TOLERANCES: CABLE LENGTH (L) TOLERANCES:

.X = ±.2 [5.08]	FRACTIONS	L ≤ 12 [305] = +1 [25] / -0
.XX = ±.02 [.51]	± 1/32	12 [305] < L ≤ 60 [1524] = +2 [51] / -0
.XXX = ±.005 [.13]	ANGLES ± 1°	60 [1524] < L ≤ 120 [3048] = +4 [102] / -0
		120 [3048] < L ≤ 300 [7620] = +6 [152] / -0
		300 [7620] < L = +5%L / -0

THIRD-ANGLE PROJECTION



THE INFORMATION AND DESIGN IN THIS DOCUMENT IS THE PROPERTY OF FAIRVIEW MICROWAVE CORPORATION. ALL RIGHTS RESERVED.

SHEET 1 OF 1

ALL DIMENSIONS SHOWN ARE FOR REFERENCE ONLY.

SCALE N/A

SIZE A	CAGE CODE 3FKR5	DRAWN BY VTHANGARAJ	ITEM NO. FMCN1912	REV A
-----------	--------------------	------------------------	----------------------	----------

T-Rev.D

RG405 Type .086 Semi-Rigid Coax Cable with a Tin Plated Copper Outer Conductor in Coiled Sections

.086 diameter semi-rigid coaxial cable is the cable of choice for many RF and Microwave engineers. 0.086 cables sometimes referred to as RG405 based on the mil specification for semi-rigid cable of this diameter has a maximum operating frequency of 40 GHz. This form factor is widely used in the RF industry and many connector series and configurations are available for this cable. Because of the solid copper wall design the cable can be formed using proper tooling with a minimum inside bend radius of .05 inches.

Electrical Specifications

Description	Min	Typ	Max	Units
Frequency Range	DC		40	GHz
Impedance		50		Ohms
DWV (AC)			5,000	Vrms

Performance by Frequency Band

Description	F1	F2	F3	F4	F5	Units
Frequency	1	10	20			GHz
Attenuation, Typ	22 72.18	80 262.47	120 393.7			dB/100ft dB/100m
Power In (CW), Max	130	35	20			Watts

Mechanical Specifications

Min. Bend Radius (Installation) 0.05 in [1.27 mm]

Construction Specifications

Description	Material and Plating	Diameter
Inner Conductor	Copper Clad Steel, Silver	0.2 in [5.08 mm]
Conductor Type	Solid	
Dielectric	PTFE	0.066 in [1.68 mm]
Outer Conductor	Copper, Tin	0.086 in [2.18 mm]

Environmental Specifications

Temperature

Operating Range -55 to +125 deg C

Compliance Certifications (visit www.FairviewMicrowave.com for current document)

RoHS Compliant Yes
 REACH Compliant 12/17/2014

Plotted and Other Data

Notes:



Configuration:

- Semi-Rigid Cable

Features:

- Silver Plated Copper Clad Steel center conductor
- PTFE dielectric material
- Copper Tinned Outer Conductor
- Operating to 40 GHz
- Minimum inside bend radius of .05 inches
- ROHS compliant

Applications:

- RF and Microwave Cable Assemblies to 40 GHz
- Preformed cable assemblies to insure fit and layout
- Test Equipment port jumpers

Fairview Microwave
 1130 Junction Dr. #100
 Allen, TX 75013
 Tel: 1-800-715-4396 / (972) 649-6678
 Fax: (972) 649-6689
www.fairviewmicrowave.com
sales@fairviewmicrowave.com

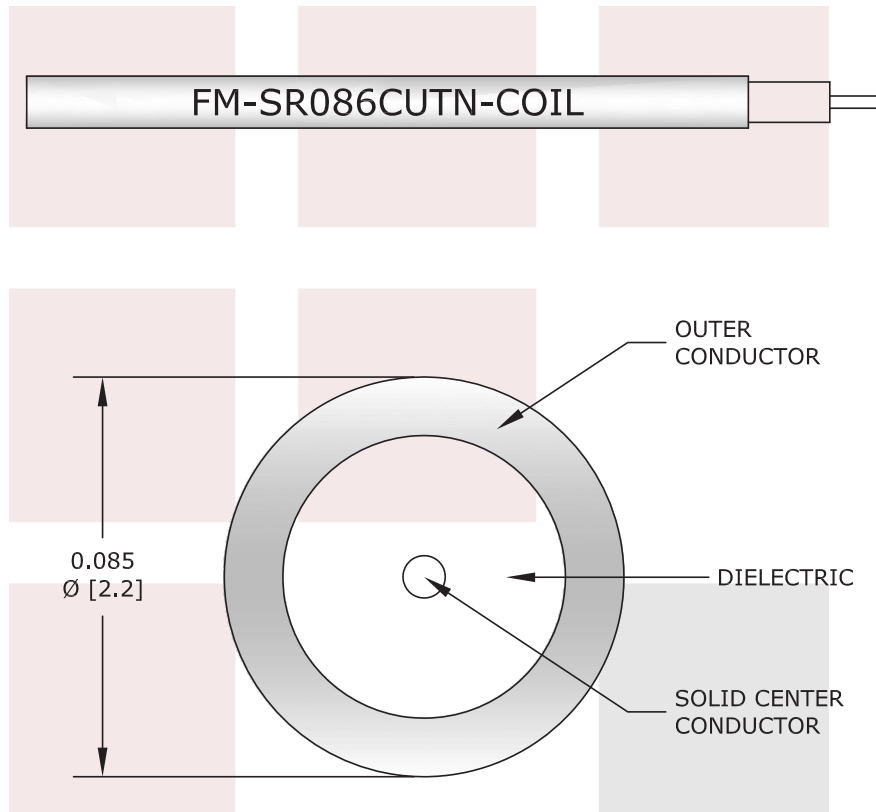
RG405 Type .086 Semi-Rigid Coax Cable with a Tin Plated Copper Outer Conductor in Coiled Sections from Fairview Microwave has same day shipment for domestic and International orders. Our RF, microwave and fiber optic products maintain a 99% availability and are part of the broadest selection in the industry.

Click the following link to obtain additional part information: [RG405 Type .086 Semi-Rigid Coax Cable with a Tin Plated Copper Outer Conductor in Coiled Sections FM-SR086CUTN-COIL](#)

URL: <http://www.fairviewmicrowave.com/rg405-type-.086-semi-rigid-coax-cable-tin-plated-copper-fm-sr086cutn-coil-p.aspx>

The information contained in this document is accurate to the best of our knowledge and representative of the part described herein. It may be necessary to make modifications to the part and/or the documentation of the part, in order to implement improvements. Fairview Microwave reserves the right to make such changes as required. Unless otherwise stated, all specifications are nominal. Fairview Microwave does not make any representation or warranty regarding the suitability of the part described herein for any particular purpose, and Fairview Microwave does not assume any liability arising out of the use of any part or documentation.





FAIRVIEW MICROWAVE INC. ALLEN, TX 75013 WWW.FAIRVIEWMICROWAVE.COM		NOTES: 1. UNLESS OTHERWISE SPECIFIED ALL DIMENSIONS ARE NOMINAL. 2. ALL SPECIFICATIONS ARE SUBJECT TO CHANGE WITHOUT NOTICE AT ANY TIME. 3. DIMENSIONS ARE IN INCHES [mm].			
TITLE RG405 Type .086 Semi-Rigid Coax Cable with a Tin Plated Copper Outer Conductor in Coiled Sections		DWG NO FM-SR086CUTN-COIL		CAGE CODE 3FKR5	
		CAD FILE 012716	SHEET	SCALE N/A	SIZE A