

### RA SMA Male Connector Crimp/Non-Solder Contact Attachment for LMR-240 Cable

#### Times Microwave Systems Connector Specification

RA SMA male connector with crimp/non-solder contact attachment for Times' LMR-240, part number EZ-240-SM-RA-X, from Times Microwave offered by Fairview Microwave is in-stock and ships same day. This SMA male connector operates up to a maximum frequency of 6 GHz and offers good VSWR of 1.3:1. Its right angle body geometry facilitates connections in tight spaces.

Times Microwave's RA SMA male connector EZ-240-SM-RA-X datasheet specifications and outline drawing are shown in this PDF below. Our extensive offering of RF, microwave and millimeter wave connectors allows designers to configure and customize their signal connections however they like. From providing an I/O for a board design to creating a custom cable assembly configuration, Fairview Microwave has a connector solution to meet your needs. Fairview Microwave also has the expertise to build your custom cable assemblies for you and ship them same-day.

#### Electrical Specifications

Description	Min	Typ	Max	Units
Frequency Range	DC		6	GHz
VSWR			1.3:1	
Insertion Loss			0.25	dB
DWV (AC)			1,000	Vrms

#### Mechanical Specifications

Size	
Length	0.725 in [18.42 mm]
Width/Dia.	0.312 in [7.92 mm]
Height	0.88 in [22.35 mm]
Weight	0.022 lbs [9.98 g]
Mating Cycles	500 Cycles
Mating Torque	7 to 10 in-lbs [0.79 to 1.13 Nm]

#### Material Specifications

Description	Material	Plating
Contact	Brass/Phosphor Bronze	Gold 50 μinch
Insulation	Teflon	
Body	Brass	Tri-Metal 80 μinch
Coupling Nut	Brass	Tri-Metal 80 μinch

#### Environmental Specifications

Temperature	
Operating Range	-40 to +125 deg C



#### Configuration:

- SMA Male Connector
- MIL-STD-348
- 50 Ohms
- Right Angle Body Geometry
- LMR-240 Interface Type
- Crimp/Non-Solder Contact Attachment
- 5/16 inch Hex

#### Features:

- Operating Frequency of 6 GHz Max.
- Good VSWR of 1.3:1
- Gold Plated Brass/Phosphor Bronze Contact
- 50 μinch contact plating

#### Applications:

- General Purpose Test
- Custom Cable Assemblies

Fairview Microwave  
301 Leora Ln., Suite 100  
Lewisville, TX 75056  
Tel: 1-800-715-4396 / (972) 649-6678  
Fax: (972) 649-6689  
[www.fairviewmicrowave.com](http://www.fairviewmicrowave.com)  
[sales@fairviewmicrowave.com](mailto:sales@fairviewmicrowave.com)

Shock	MIL-STD 202G, Meth.213, Cond I
Vibration	MIL-STD 202G, Meth.204, Cond D
Thermal Shock	MIL-STD 202G, Meth.107, Cond B

**Compliance Certifications** (see [product page](#) for current document)

### Plotted and Other Data

Notes:

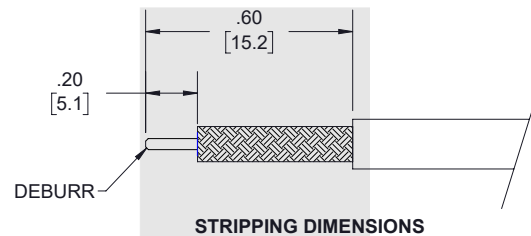
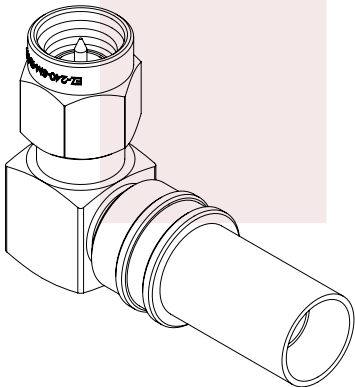
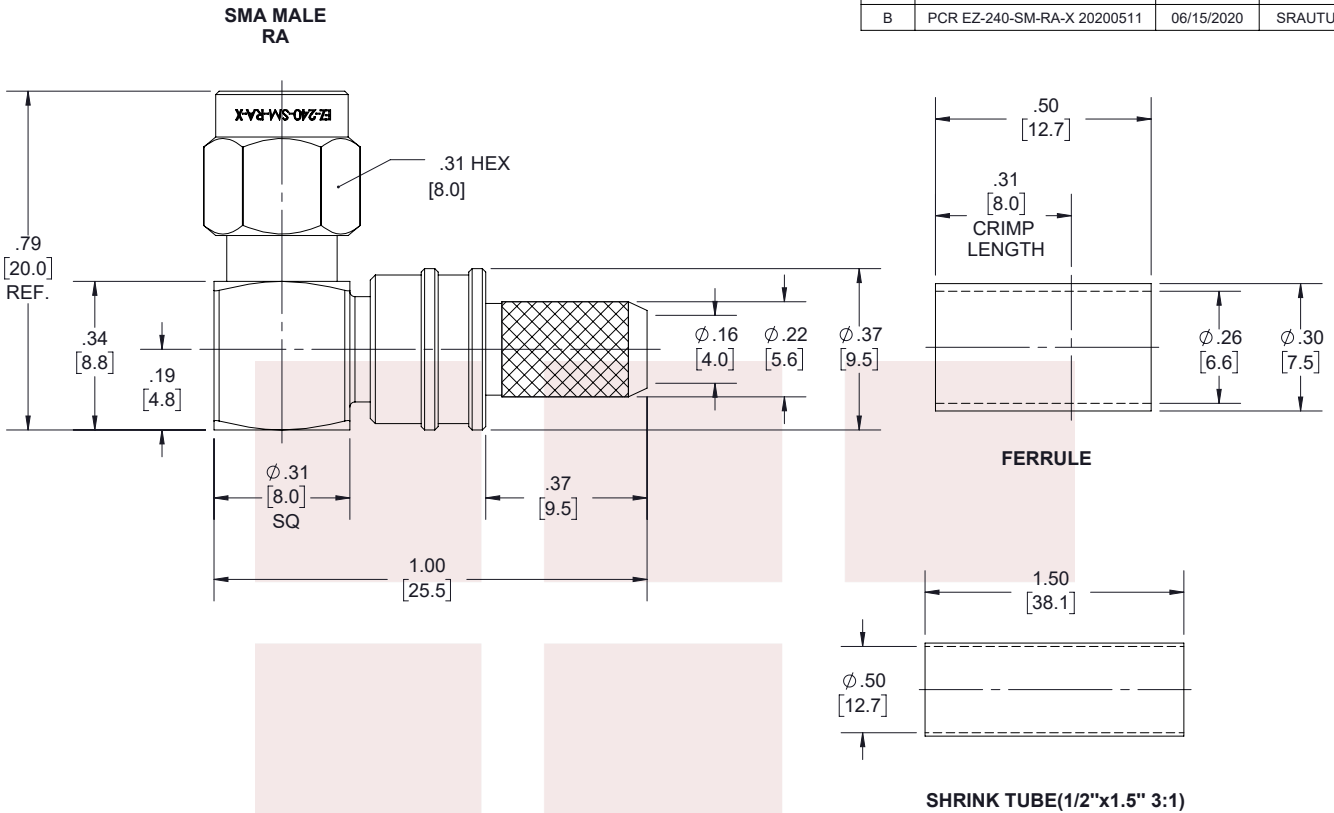
RA SMA Male Connector Crimp/Non-Solder Contact Attachment for LMR-240 Cable from Fairview Microwave is in-stock and available to ship same-day. All of our RF/microwave products are available off-the-shelf from our ISO 9001:2008 certified facilities in Lewisville, Texas. Fairview Microwave is RF on-demand.

For additional information on this product, please click the following link: [RA SMA Male Connector Crimp/Non-Solder Contact Attachment for LMR-240 Cable EZ-240-SM-RA-X](#)

URL: <https://www.fairviewmicrowave.com/sma-male-lmr-240-connector-ez-240-sm-ra-x-p.aspx>

The information contained in this document is accurate to the best of our knowledge and representative of the part described herein. It may be necessary to make modifications to the part and/or the documentation of the part, in order to implement improvements. Fairview Microwave reserves the right to make such changes as required. Unless otherwise stated, all specifications are nominal. Fairview Microwave does not make any representation or warranty regarding the suitability of the part described herein for any particular purpose, and Fairview Microwave does not assume any liability arising out of the use of any part or documentation.

REVISIONS			
REV.	DESCRIPTION	DATE	APPROVED
B	PCR EZ-240-SM-RA-X 20200511	06/15/2020	SRAUTUS



**NOTES:**

- CABLE ATTACHMENT:
  - OUTER: CRIMP.
  - INNER: NON-SOLDER.
- CRIMP SIZE REQUIRED:
  - FERRULE: .255 [6.48] HEX. CRIMP TOOL.

THESE COMMODITIES, TECHNOLOGY OR SOFTWARE WERE EXPORTED FROM THE UNITED STATES IN ACCORDANCE WITH THE EXPORT ADMINISTRATION REGULATIONS. DIVERSION CONTRARY TO U.S. LAW PROHIBITED.

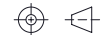
TITLE  
RA SMA Male Connector Crimp/Non-Solder Contact Attachment for LMR-240 Cable

UNLESS OTHERWISE SPECIFIED LEADING DIMENSIONS ARE INCHES  
DIMENSIONS IN [ ] ARE MILLIMETERS

TOLERANCES: CABLE LENGTH (L) TOLERANCES:

.X = ±.2 [5.08] FRACTIONS L ≤ 12 [305] = +1 [25] / -0  
.XX = ±.02 [.51] ± 1/32 12 [305] < L ≤ 60 [1524] = +2 [51] / -0  
.XXX = ±.005 [.13] ANGLES ± 1° 60 [1524] < L ≤ 120 [3048] = +4 [102] / -0  
120 [3048] < L ≤ 300 [7620] = +6 [152] / -0  
300 [7620] < L = +5%L / -0

THIRD-ANGLE PROJECTION



THE INFORMATION AND DESIGN IN THIS DOCUMENT IS THE PROPERTY OF FAIRVIEW MICROWAVE CORPORATION. ALL RIGHTS RESERVED.

SHEET 1 OF 1

ALL DIMENSIONS SHOWN ARE FOR REFERENCE ONLY.

SCALE N/A

SIZE	CAGE CODE	DRAWN BY	PART NUMBER	REV
A	3FKR5	K.DANG	EZ-240-SM-RA-X	B

T-Rev.D

## Right Angle QMA Male (Plug) Connector For LMR-240 Cable, Crimp/Non-Solder Contact

RA QMA male connector with crimp/non-solder contact attachment for Times' LMR-240 and LMR-240-UF, part number EZ-240-QM-RA-X, from Times Microwave offered by Fairview Microwave is in-stock and ships same day. This QMA male connector operates up to a maximum frequency of 6 GHz and offers good VSWR of 1.3:1. Its right angle body geometry facilitates connections in tight spaces.

Times Microwave's RA QMA male connector EZ-240-QM-RA-X datasheet specifications and outline drawing are shown in this PDF below. Our extensive offering of RF, microwave and millimeter wave connectors allows designers to configure and customize their signal connections however they like. From providing an I/O for a board design to creating a custom cable assembly configuration, Fairview Microwave has a connector solution to meet your needs. Fairview Microwave also has the expertise to build your custom cable assemblies for you and ship them same-day.



### Configuration:

- QMA Male Connector
- 50 Ohms
- Right Angle Body Geometry
- LMR-240, LMR-240-UF Interface Type
- Crimp/Non-Solder Contact Attachment

### Electrical Specifications

Description	Min	Typ	Max	Units
Frequency Range	DC		6	GHz
VSWR			1.3:1	
Insertion Loss			0.25	dB
DWV (DC)			1,000	Vdc
Insulation Resistance	5,000			MOhms

### Features:

- Operating Frequency of 6 GHz Max.
- Good VSWR of 1.3:1
- Gold Plated Beryllium Copper Contact
- 50  $\mu$  inches minimum contact plating

### Mechanical Specifications

Weight	0.021 lbs [9.53 g]
Mating Cycles	100 Cycles

### Material Specifications

Description	Material	Plating
Contact	Beryllium Copper	Gold 50 $\mu$ inches minimum
Insulation	PTFE	
Outer Conductor	Brass	Tri-Metal 80 $\mu$ inches minimum
Body	Brass	Tri-Metal 80 $\mu$ inches minimum

### Applications:

- General Purpose Test
- Custom Cable Assemblies

### Environmental Specifications

#### Temperature

Operating Range	-40 to +125 deg C
Shock	MIL-STD 213G, Meth, 107, Cond.I
Vibration	MIL-STD 202G, Meth, 104, Cond.D

Fairview Microwave  
301 Leora Ln., Suite 100  
Lewisville, TX 75056  
Tel: 1-800-715-4396 / (972) 649-6678  
Fax: (972) 649-6689  
[www.fairviewmicrowave.com](http://www.fairviewmicrowave.com)  
[sales@fairviewmicrowave.com](mailto:sales@fairviewmicrowave.com)

Thermal Shock

MIL-STD 202G, Meth, 107, Cond.B

**Compliance Certifications** (see [product page](#) for current document)

**Plotted and Other Data**

Notes:

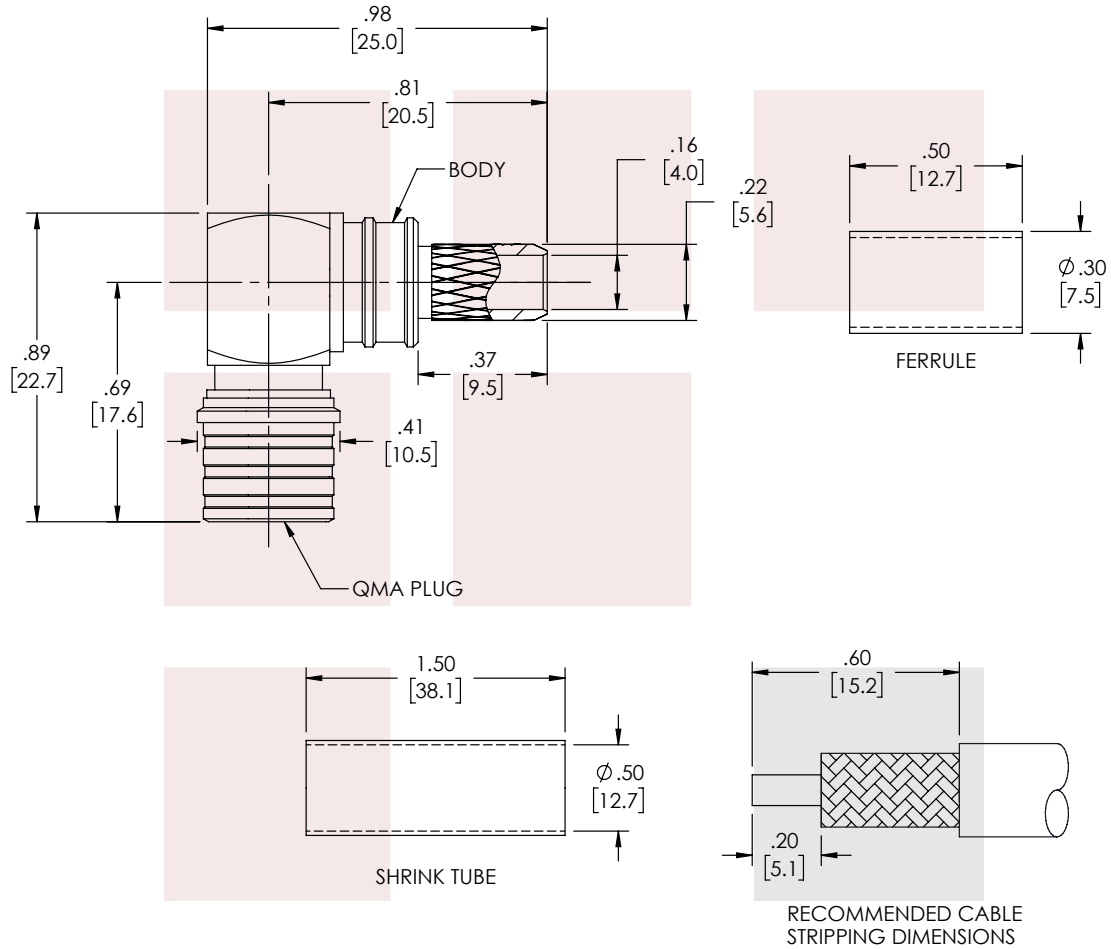
Right Angle QMA Male (Plug) Connector For LMR-240 Cable, Crimp/Non-Solder Contact from Fairview Microwave is in-stock and available to ship same-day. All of our RF/microwave products are available off-the-shelf from our ISO 9001:2008 certified facilities in Lewisville, Texas. Fairview Microwave is RF on-demand.

For additional information on this product, please click the following link: [Right Angle QMA Male \(Plug\) Connector For LMR-240 Cable, Crimp/Non-Solder Contact EZ-240-QM-RA-X](#)

URL: <https://www.fairviewmicrowave.com/qma-male-lmr-240-connector-ez-240-qm-ra-x-p.aspx>

The information contained in this document is accurate to the best of our knowledge and representative of the part described herein. It may be necessary to make modifications to the part and/or the documentation of the part, in order to implement improvements. Fairview Microwave reserves the right to make such changes as required. Unless otherwise stated, all specifications are nominal. Fairview Microwave does not make any representation or warranty regarding the suitability of the part described herein for any particular purpose, and Fairview Microwave does not assume any liability arising out of the use of any part or documentation.

REVISIONS			
REV.	DESCRIPTION	DATE	APPROVED
C	UPDATE MODEL/DIMENSIONS	3/7/22	RDELEON



THESE COMMODITIES, TECHNOLOGY OR SOFTWARE WERE EXPORTED FROM THE UNITED STATES IN ACCORDANCE WITH THE EXPORT ADMINISTRATION REGULATIONS. DIVERSION CONTRARY TO U.S. LAW PROHIBITED.

TITLE

Right Angle QMA Male (Plug) Connector For LMR-240 Cable, Crimp/Non-Solder Contact

UNLESS OTHERWISE SPECIFIED LEADING DIMENSIONS ARE INCHES  
DIMENSIONS IN [ ] ARE MILLIMETERS

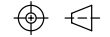
TOLERANCES:

.X = ±.2 [5.08] FRACTIONS ± 1/32  
.XX = ±.02 [.51] ANGLES ± 1°  
.XXX = ±.005 [.13]

CABLE LENGTH (L) TOLERANCES:

L ≤ 12 [305] = +1 [25] / -0  
12 [305] < L ≤ 60 [1524] = +2 [51] / -0  
60 [1524] < L ≤ 120 [3048] = +4 [102] / -0  
120 [3048] < L ≤ 300 [7620] = +6 [152] / -0  
300 [7620] < L = +5%L / -0

THIRD-ANGLE PROJECTION



THE INFORMATION AND DESIGN IN THIS DOCUMENT IS THE PROPERTY OF FAIRVIEW MICROWAVE CORPORATION. ALL RIGHTS RESERVED.

SHEET 1 OF 1

ALL DIMENSIONS SHOWN ARE FOR REFERENCE ONLY.

SCALE

N/A

SIZE A	CAGE CODE 3FKR5	DRAWN BY HBAKKE	ITEM NO. EZ-240-QM-RA-X	REV C
-----------	--------------------	--------------------	----------------------------	----------

T-Rev.D

## Times Microwave LMR-LW240 Low Loss Flexible Coax Cable Black PE Jacket Light Weight

### Times Microwave Systems Coax Cable Specification

LMR-LW240 Light weight version of the 240 series Low Loss Coax from Times Microwave is part of the large product offering by Fairview Microwave of radio frequency coaxial cable types specifically stocked to be ready for same-day shipment. Fairview Microwave LMR-LW240 coax cable is manufactured in a flexible design and has a 50 Ohm impedance. This low loss and light weight flexible 50 Ohm coax cable LMR-LW240 is constructed with a 0.240 inch diameter and Black PE jacket.

LMR-LW240 flexible 50 Ohm coax cable with PE jacket is rated for a 8 GHz maximum operating frequency. This 50 Ohm 0.240 inch diameter and low loss flexible coax cable is built with an aluminum double shield count and RF shielding of 90 dB. Times Microwave LMR-LW240 PE coax is constructed with Foam PE dielectric and a maximum operating temperature of 85 degrees C. Fairview Microwave's offering of LMR-LW240 coax cable provides specs for this wire on its RF coax cable LMR-LW240 datasheet.

LMR-LW240 cable is part of more than one million RF, microwave parts in stock at Fairview Microwave. This Times Microwave low loss and light weight LMR-LW240 coax cable is ready to buy and can be shipped worldwide. Fairview Microwave also maintains a wide selection of other radio frequency coaxial cable types that ship same-day from our warehouse as with the rest of our other RF/microwave components.

\* LMR™ is a trademark of Times Microwave Systems.

### Electrical Specifications

Description	Min	Typ	Max	Units
Frequency Range	DC		8	GHz
Impedance		50		Ohms
Velocity of Propagation		83		%
Time Delay		1.21 [3.97]		ns/ft [ns/m]
Shielding Effectiveness	90			dB
DWV (DC)			1,500	Vdc
Jacket Spark			5,000	Vrms
Inner Conductor DC Resist.			3.2	Ohms/1000ft
Outer Conductor DC Resist.			14.4	Ohms/1000ft
Nominal Capacitance		24.2		pF/ft
		[79.4]		[pF/m]
Nominal Inductance		0.06		uH/ft
		[0.2]		[uH/m]
Input Power (Peak)			5.6	kWatts

### Performance by Frequency Band

Description	F1	F2	F3	F4	F5	Units
Frequency	0.05	0.15	0.45	0.9	1.5	GHz
Attenuation, Typ	1.7	3	5.3	7.6	9.9	dB/100ft
	5.58	9.84	17.39	24.93	32.48	dB/100m



### Configuration:

- Low Loss, Outdoor Flexible Cable
- 2 Shield(s)

### Features:

- Max Operating Frequency of 8 GHz
- Phase Velocity 83% VoP
- Aluminum Shielding Resulting in a Light Weight Coax
- Max Operating Temperature +85°C
- PE Jacket
- Min Install Bend Radius of 0.75 inches

### Applications:

- General Purpose RF Interconnect
- Laboratory Applications
- Antenna Installs
- RF Test Systems
- Wireless Communications

Fairview Microwave  
 301 Leora Ln., Suite 100  
 Lewisville, TX 75056  
 Tel: 1-800-715-4396 / (972) 649-6678  
 Fax: (972) 649-6689  
[www.fairviewmicrowave.com](http://www.fairviewmicrowave.com)  
[sales@fairviewmicrowave.com](mailto:sales@fairviewmicrowave.com)

Power In (CW), Max	1,150	660	380	260	200	Watts
<b>Description</b>	<b>F6</b>	<b>F7</b>	<b>F8</b>	<b>F9</b>	<b>F10</b>	<b>Units</b>
Frequency	1.8	2	2.5	5.8	8	GHz
Attenuation, Typ	10.9	11.5	12.9	20.4	24.3	dB/100ft
	35.76	37.73	42.32	66.93	79.72	dB/100m
Power In (CW), Max	180	170	150	100	80	Watts

### Mechanical Specifications

Diameter	0.24 in [6.1 mm]
Weight	0.026 lbs/ft [0.04 kg/m]
Min. Bend Radius (Installation)	0.75 in [19.05 mm]
Min. Bend Radius (Repeated)	2.5 in [63.5 mm]
Bending Moment	0.25 lbs-ft [0.34 N-m]
Tensile Strength	80 lbs [36.29 kg]
Flat Plate Crush	20 lbs/in [0.36 kg/mm]

### Construction Specifications

Description	Material and Plating	Diameter
Inner Conductor	Copper, 1 Strands	0.056 in [1.42 mm]
Conductor Type	Solid	
Dielectric	Foam PE	0.15 in [3.81 mm]
First Shield	Aluminum Tape	[ ]
Second Shield	Aluminium	[ ]
Jacket	PE, Black	0.24 in [6.1 mm]

### Environmental Specifications

Temperature	
Operating Range	-40 to +85 deg C
Installation Range	-40 to +85 deg C
Storage Range	-70 to +85 deg C

**Compliance Certifications** (see [product page](#) for current document)

### Plotted and Other Data

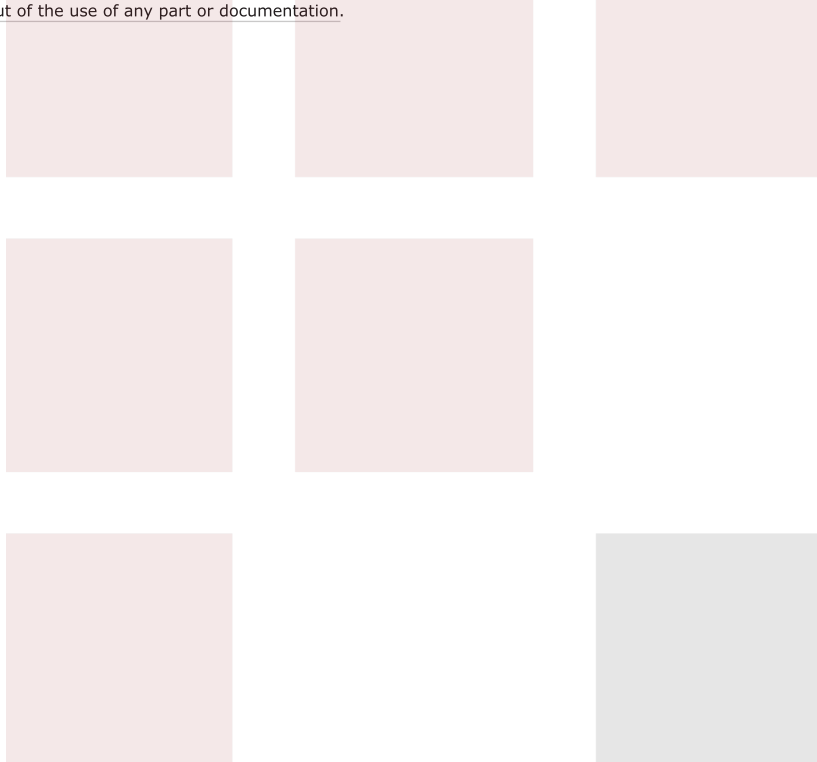
Notes:

Times Microwave LMR-LW240 Low Loss Flexible Coax Cable Black PE Jacket Light Weight from Fairview Microwave has same day shipment for domestic and International orders. Our RF, microwave and fiber optic products maintain a 99% availability and are part of the broadest selection in the industry.

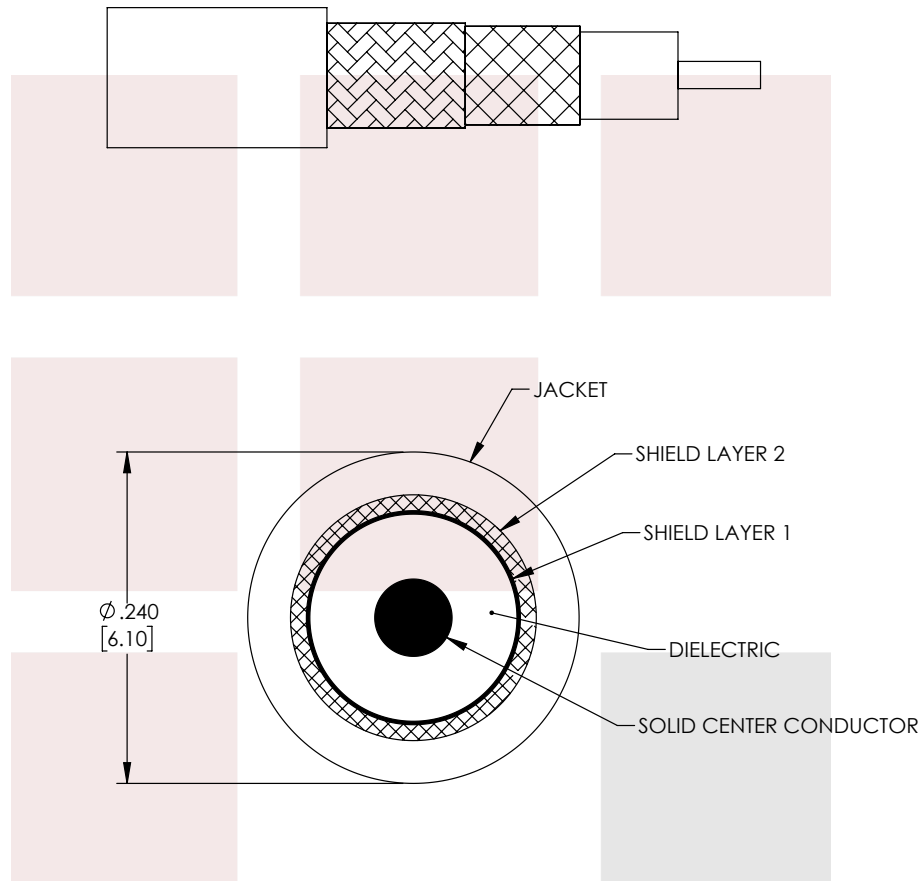
Click the following link to obtain additional part information: [Times Microwave LMR-LW240 Low Loss Flexible Coax Cable Black PE Jacket Light Weight LMR-LW240](#)

URL: <https://www.fairviewmicrowave.com/lmr-lw240-low-loss-flexible-coax-cable-pe-jacket-lmr-lw240-p.aspx>

The information contained in this document is accurate to the best of our knowledge and representative of the part described herein. It may be necessary to make modifications to the part and/or the documentation of the part, in order to implement improvements. Fairview Microwave reserves the right to make such changes as required. Unless otherwise stated, all specifications are nominal. Fairview Microwave does not make any representation or warranty regarding the suitability of the part described herein for any particular purpose, and Fairview Microwave does not assume any liability arising out of the use of any part or documentation.



REVISIONS			
REV.	DESCRIPTION	DATE	APPROVED
A	INITIAL RELEASE	06-04-2021	SELLIS



THESE COMMODITIES, TECHNOLOGY OR SOFTWARE WERE EXPORTED FROM THE UNITED STATES IN ACCORDANCE WITH THE EXPORT ADMINISTRATION REGULATIONS. DIVERSION CONTRARY TO U.S. LAW PROHIBITED.

<p><b>Fairview Microwave</b> an INFINIT<sup>®</sup> brand</p>	<p>UNLESS OTHERWISE SPECIFIED LEADING DIMENSIONS ARE INCHES DIMENSIONS IN [ ] ARE MILLIMETERS</p> <p>TOLERANCES:      CABLE LENGTH (L) TOLERANCES:</p> <table border="0"> <tr> <td>.X = ±.2 [5.08]</td> <td>FRACTIONS</td> <td>L ≤ 12 [305] = +1 [25] / -0</td> </tr> <tr> <td>.XX = ±.02 [.51]</td> <td>± 1/32</td> <td>12 [305] &lt; L ≤ 60 [1524] = +2 [51] / -0</td> </tr> <tr> <td>.XXX = ±.005 [.13]</td> <td>ANGLES ± 1°</td> <td>60 [1524] &lt; L ≤ 120 [3048] = +4 [102] / -0</td> </tr> <tr> <td></td> <td></td> <td>120 [3048] &lt; L ≤ 300 [7620] = +6 [152] / -0</td> </tr> <tr> <td></td> <td></td> <td>300 [7620] &lt; L = +5%L / -0</td> </tr> </table>	.X = ±.2 [5.08]	FRACTIONS	L ≤ 12 [305] = +1 [25] / -0	.XX = ±.02 [.51]	± 1/32	12 [305] < L ≤ 60 [1524] = +2 [51] / -0	.XXX = ±.005 [.13]	ANGLES ± 1°	60 [1524] < L ≤ 120 [3048] = +4 [102] / -0			120 [3048] < L ≤ 300 [7620] = +6 [152] / -0			300 [7620] < L = +5%L / -0	<p>THIRD-ANGLE PROJECTION</p> <p>THE INFORMATION AND DESIGN IN THIS DOCUMENT IS THE PROPERTY OF FAIRVIEW MICROWAVE CORPORATION. ALL RIGHTS RESERVED.</p>
	.X = ±.2 [5.08]	FRACTIONS	L ≤ 12 [305] = +1 [25] / -0														
.XX = ±.02 [.51]	± 1/32	12 [305] < L ≤ 60 [1524] = +2 [51] / -0															
.XXX = ±.005 [.13]	ANGLES ± 1°	60 [1524] < L ≤ 120 [3048] = +4 [102] / -0															
		120 [3048] < L ≤ 300 [7620] = +6 [152] / -0															
		300 [7620] < L = +5%L / -0															
<p>TITLE</p> <p>Times Microwave LMR-LW240 Low Loss Flexible Coax Cable Black PE Jacket Light Weight</p>	<p>ALL DIMENSIONS SHOWN ARE FOR REFERENCE ONLY.</p> <table border="1"> <tr> <td>SIZE</td> <td>CAGE CODE</td> <td>DRAWN BY</td> <td>ITEM NO.</td> <td>SCALE</td> <td>REV</td> </tr> <tr> <td>A</td> <td>3FKR5</td> <td>MVEERAPPAN</td> <td>LMR-LW240</td> <td>N/A</td> <td>A</td> </tr> </table>	SIZE	CAGE CODE	DRAWN BY	ITEM NO.	SCALE	REV	A	3FKR5	MVEERAPPAN	LMR-LW240	N/A	A	<p>SHEET 1 OF 1</p>			
SIZE	CAGE CODE	DRAWN BY	ITEM NO.	SCALE	REV												
A	3FKR5	MVEERAPPAN	LMR-LW240	N/A	A												

T-Rev.D