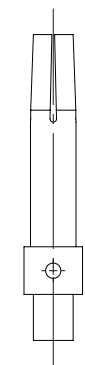
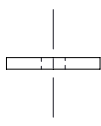


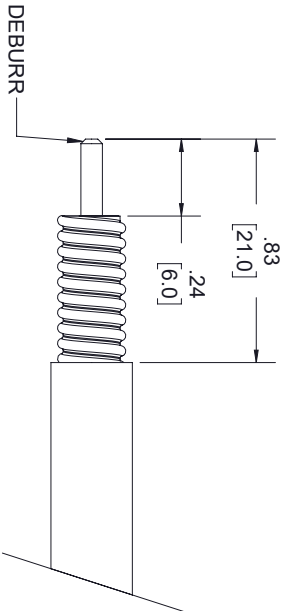
N FEMALE



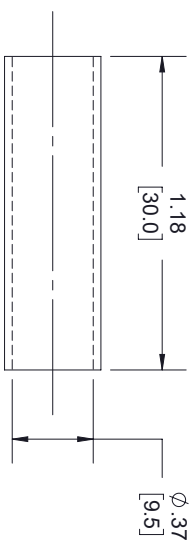
CONTACT



INSULATOR



STRIPPING DIMENSIONS



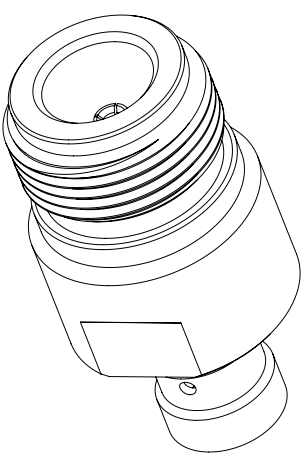
HEAT SHRINK TUBE

NOTES:

1. CABLE ATTACHMENT:
 - OUTER: SOLDER.
 - INNER: SOLDER.

STANDARD TOLERANCES
 .X ±0.2
 .XX ±0.01
 .XXX ±0.005

*STANDARD TOLERANCES APPLY ONLY TO DIMENSIONS IN INCHES



TITLE	
-------	--

DWG NO		CAGE CODE	
TC-SPP250-NF-LP		3FKR5	
CAD FILE	04/17/19	SHEET	1 OF 1
SCALE	N/A	SIZE	A
			7361

NOTES:
 1. UNLESS OTHERWISE SPECIFIED ALL DIMENSIONS ARE NOMINAL.
 2. ALL SPECIFICATIONS ARE SUBJECT TO CHANGE WITHOUT NOTICE AT ANY TIME.
 3. DIMENSIONS ARE IN INCHES [mm].