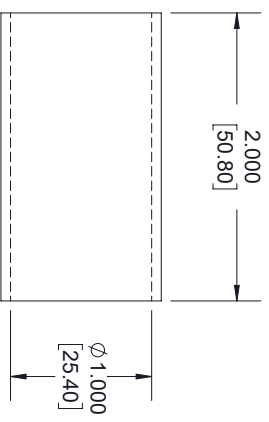
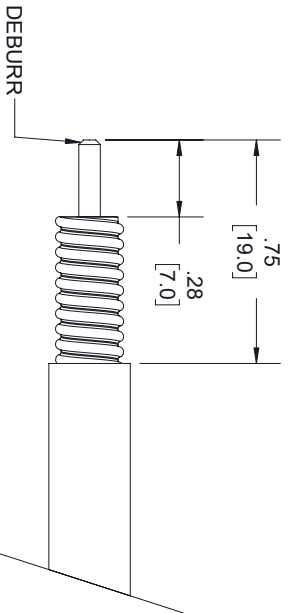
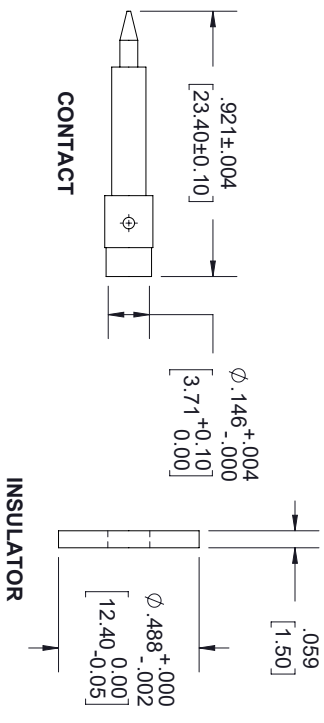
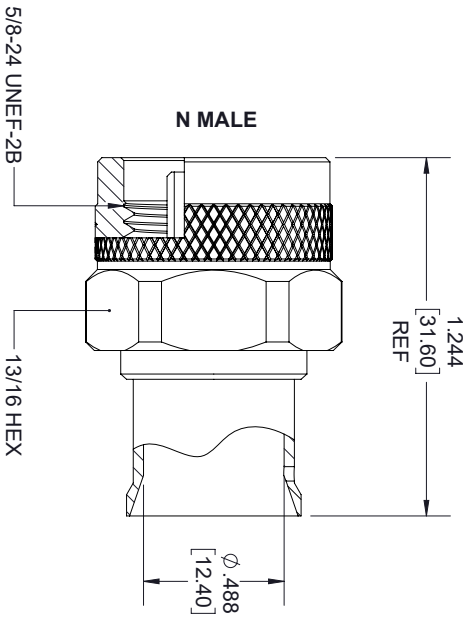
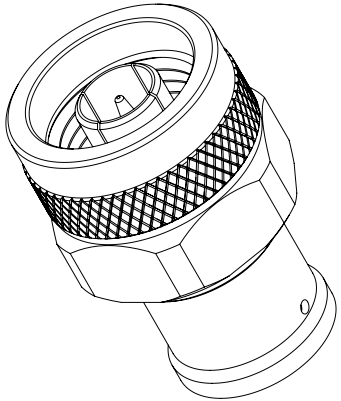


REVISIONS			
REV.	DESCRIPTION	DATE	APPROVED
A	INITIAL RELEASE	6/2/2020	S. ELLIS



**STRIPPING DIMENSIONS**

**SHRINK TUBE**

- NOTES:
- CABLE ATTACHMENT:
    - OUTER: SOLDER.
    - INNER: SOLDER.

THESE COMMODITIES, TECHNOLOGY OR SOFTWARE WERE EXPORTED FROM THE UNITED STATES IN ACCORDANCE WITH THE EXPORT ADMINISTRATION REGULATIONS, DIVERSION CONTRARY TO U.S. LAW PROHIBITED.



**SHRINK TUBE**

UNLESS OTHERWISE SPECIFIED LEADING DIMENSIONS ARE INCHES  
DIMENSIONS IN [ ] ARE MILLIMETERS

THIRD-ANGLE PROJECTION

TOLERANCES:

FRACTIONS	FRACTIONS
X = ±.2	12.1305 < L ≤ 60 [1524] = ±.2 [51] / -0
XX = ±.02	60 [1524] < L ≤ 120 [3048] = ±.4 [102] / -0
XXX = ±.005	120 [3048] < L ≤ 300 [7620] = ±.6 [152] / -0
	300 [7620] < L = +5%L / -0

THE INFORMATION AND DESIGN IN THIS DOCUMENT IS THE PROPERTY OF FAIRVIEW MICROWAVE CORPORATION. ALL RIGHTS RESERVED.

SHEET 1 OF 1

SIZE	GAGE CODE	DRAWN BY	ITEM NO.	SCALE	REV
A	3FKRS	K.DANG	TC-500-NM-LP	N/A	A