


**LABEL**

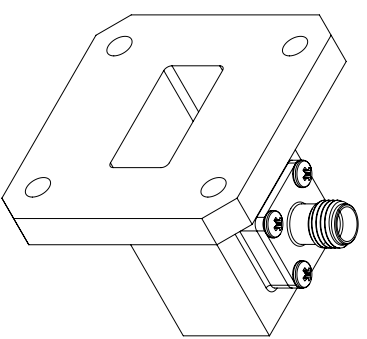

  
**Fairview Microwave**
  
 THE COMPONENTS ON DEMAND. *Done!*
  
 www.fairviewmicrowave.com

**SMW75AC**
  
 10.0 GHz - 15.0 GHz

**STANDARD TOLERANCES**

.X	±0.2
.XX	±0.01
.XXX	±0.005

\*STANDARD TOLERANCES APPLY ONLY TO DIMENSIONS IN INCHES



NOTES:  
 1. UNLESS OTHERWISE SPECIFIED ALL DIMENSIONS ARE NOMINAL.  
 2. ALL SPECIFICATIONS ARE SUBJECT TO CHANGE WITHOUT NOTICE AT ANY TIME.  
 3. DIMENSIONS ARE IN INCHES [mm].

TITLE		DWG NO		CAGE CODE	
		SMW75AC		3FKR5	
CAD FILE	030818	SHEET	1 OF 1	SCALE	N/A
		SIZE	A		7361