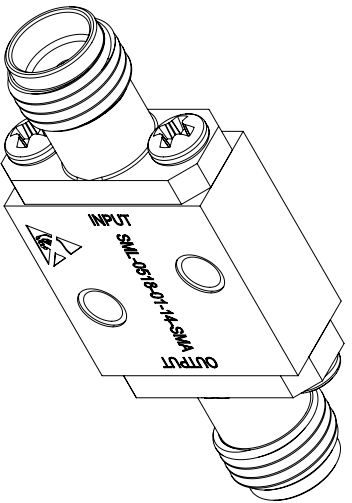
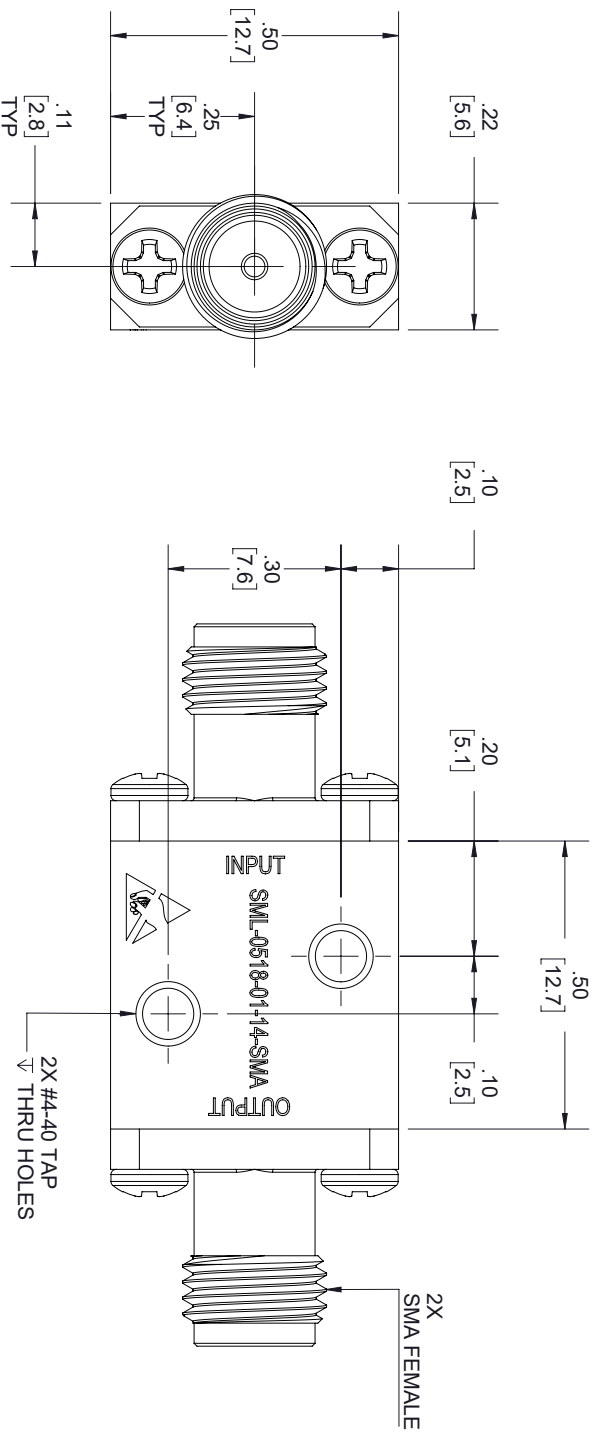


REVISIONS			
REV.	DESCRIPTION	DATE	APPROVED
A	PCR SML-0518-01-14-SMA	4/24/2020	T.GALLA



THESE COMMODITIES, TECHNOLOGY OR SOFTWARE WERE EXPORTED FROM THE UNITED STATES IN ACCORDANCE WITH THE EXPORT ADMINISTRATION REGULATIONS, DIVERSION CONTRARY TO U.S. LAW PROHIBITED.

Fairview Microwave™



TITLE

UNLESS OTHERWISE SPECIFIED LEADING DIMENSIONS ARE INCHES DIMENSIONS IN [] ARE MILLIMETERS				THIRD-ANGLE PROJECTION	
TOLERANCES:				THE INFORMATION AND DESIGN IN THIS DOCUMENT IS THE PROPERTY OF FAIRVIEW MICROWAVE CORPORATION. ALL RIGHTS RESERVED.	
CABLE LENGTH (L) TOLERANCES:		L ± 1/2 (B06) = +1/2 (5) / -0		OF	
L ± 1.2 (B05) = +1/2 (5) / -0		12 (305) < L ≤ 60 (1524) = +2 (51) / -0		1	
L ± 1.92 (49) = +1/32 (8) / -0		60 (1524) < L ≤ 120 (3048) = +4 (102) / -0		1	
L ± 1.92 (49) = +1/32 (8) / -0		120 (3048) < L ≤ 300 (7620) = +6 (152) / -0		1	
L ± 1.92 (49) = +1/32 (8) / -0		300 (7620) < L = +5% / -0		1	
ALL DIMENSIONS SHOWN ARE FOR REFERENCE ONLY.				SCALE	
SIZE				N/A	
GAGE CODE				REV	
3FKR5				A	
DRAWN BY				REV	
K.DANG				A	
ITEM NO.				REV	
SML-0518-01-14-SMA				A	