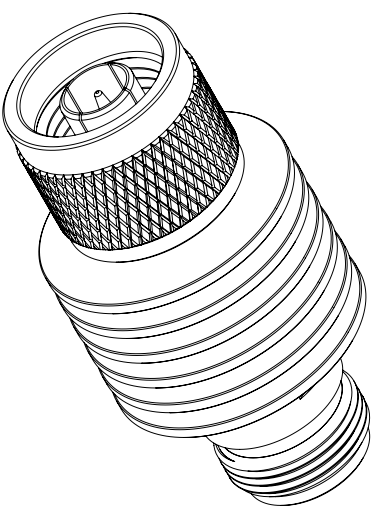


N MALE

N FEMALE



LABEL

**Fairview Microwave**  
RF COMPONENTS ON DEMAND. *Done!*  
www.fairviewmicrowave.com  
**SA6N5WA-03**

STANDARD TOLERANCES

.X ±0.2  
.XX ±0.01  
.XXX ±0.005

\*STANDARD TOLERANCES APPLY ONLY TO DIMENSIONS IN INCHES

**Fairview Microwave**  
RF COMPONENTS ON DEMAND. *Done!*

NOTES:  
1. UNLESS OTHERWISE SPECIFIED ALL DIMENSIONS ARE NOMINAL.  
2. ALL SPECIFICATIONS ARE SUBJECT TO CHANGE WITHOUT NOTICE AT ANY TIME.  
3. DIMENSIONS ARE IN INCHES [mm].

TITLE		DWG NO		CAGE CODE	
		SA6N5WA-03		3FKR5	
CAD FILE	07/31/18	SHEET	1 OF 1	SCALE	N/A
				SIZE	A
					7361