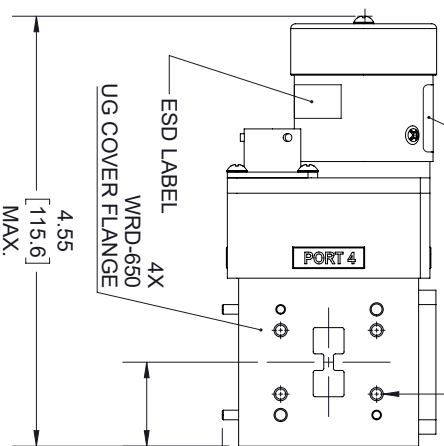
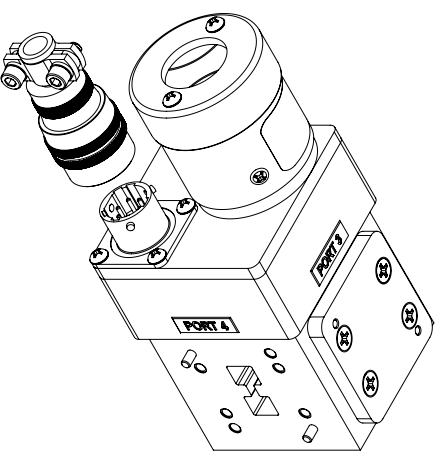
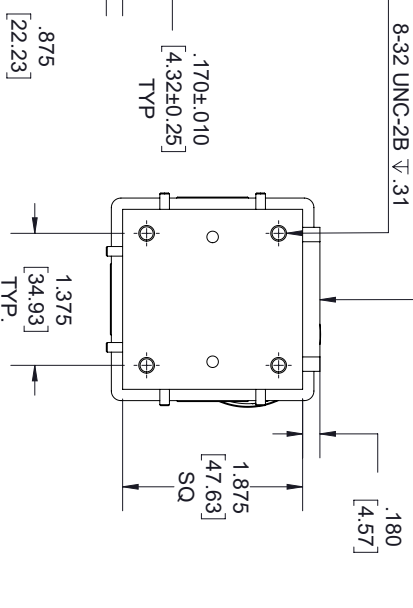


FM LABEL:  
 www.fairviewmicrowave.com  
 FMWGS6046  
 S/N: XXXXXX

4X FLANGE MOUNTING HOLES  
 6-32 UNC-2B  $\nabla$ .25  
 TYP ALL PORTS



4X MOUNTING HOLES  
 8-32 UNC-2B  $\nabla$ .31



STANDARD TOLERANCES  
 .X ±0.2  
 .XX ±0.01  
 .XXX ±0.005

\*STANDARD TOLERANCES APPLY ONLY TO DIMENSIONS IN INCHES

- NOTES:
1. MANUAL OVERRIDE & POSITION INDICATOR.
  2. WEATHERIZED COVER WITH CLEAR VIEWING WINDOW.
  3. FOR ACCESS TO MANUAL OVERRIDE LOOSEN (2) CAPTIVE SCREWS.



NOTES:  
 1. UNLESS OTHERWISE SPECIFIED ALL DIMENSIONS ARE NOMINAL.  
 2. ALL SPECIFICATIONS ARE SUBJECT TO CHANGE WITHOUT NOTICE AT ANY TIME.  
 3. DIMENSIONS ARE IN INCHES [mm].

TITLE	DWG NO		CAGE CODE					
	FMWGS6046		3FKR5					
CAD FILE	07/29/19	SHEET	1 OF 2	SCALE	N/A	SIZE	A	7361