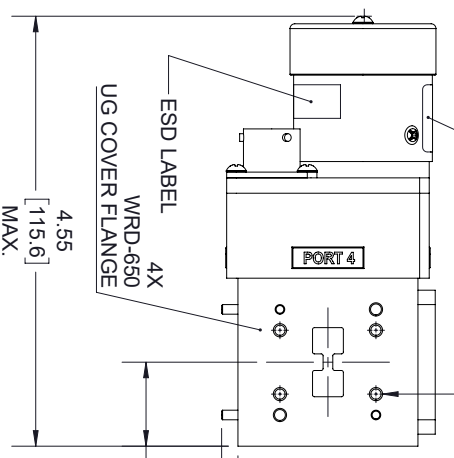
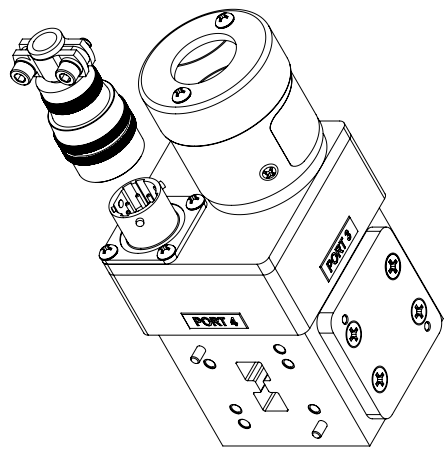
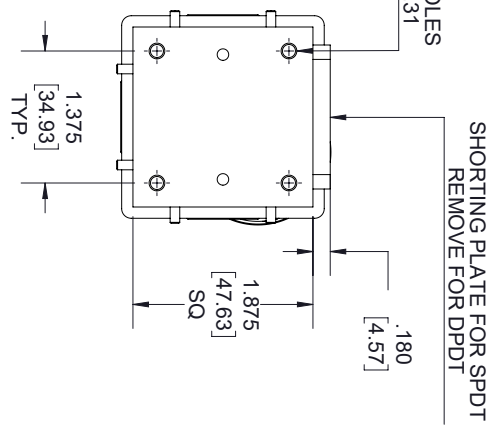


FM LABEL:
 www.fairviewmicrowave.com
 FMWGS6044
 S/N: XXXXXX

4X FLANGE MOUNTING HOLES
 6-32 UNC-2B ∇ .25
 TYP ALL PORTS



4X MOUNTING HOLES
 8-32 UNC-2B ∇ .31



STANDARD TOLERANCES

.X	±0.2
.XX	±0.01
.XXX	±0.005

*STANDARD TOLERANCES APPLY ONLY TO DIMENSIONS IN INCHES

- NOTES:
1. MANUAL OVERRIDE & POSITION INDICATOR.
 2. WEATHERIZED COVER WITH CLEAR VIEWING WINDOW.
 3. FOR ACCESS TO MANUAL OVERRIDE LOOSEN (2) CAPTIVE SCREWS.



NOTES:
 1. UNLESS OTHERWISE SPECIFIED ALL DIMENSIONS ARE NOMINAL.
 2. ALL SPECIFICATIONS ARE SUBJECT TO CHANGE WITHOUT NOTICE AT ANY TIME.
 3. DIMENSIONS ARE IN INCHES [mm].

TITLE	DWG NO		CAGE CODE					
	FMWGS6044		3FKR5					
CAD FILE	07/29/19	SHEET	1 OF 2	SCALE	N/A	SIZE	A	7361