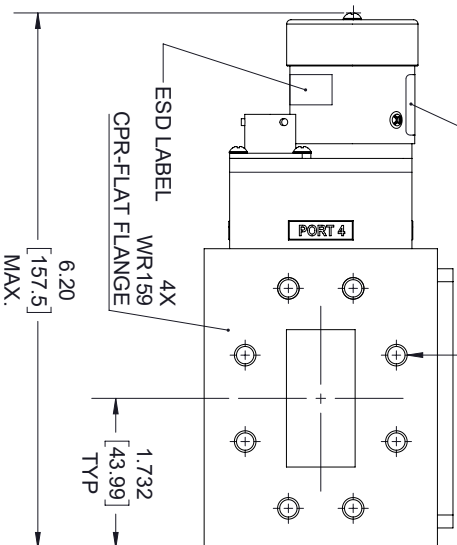
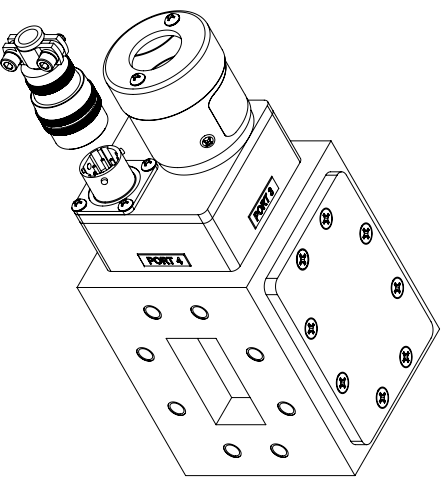
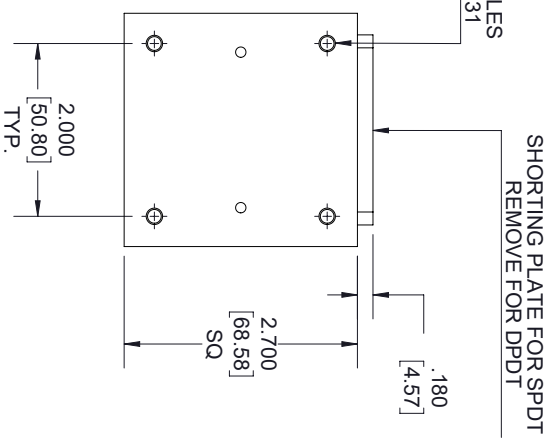


FM LABEL:
 www.fairviewmicrowave.com
 FMWGS6034
 S/N: XXXXXX

8X FLANGE MOUNTING HOLES
 1/2-20 UNC-2B ∇ .31
 TYP ALL PORTS



4X MOUNTING HOLES
 10-32 UNC-2B ∇ .31



STANDARD TOLERANCES

.X ±0.2

.XX ±0.01

.XXX ±0.005

*STANDARD TOLERANCES APPLY ONLY TO DIMENSIONS IN INCHES

- NOTES:
1. MANUAL OVERRIDE & POSITION INDICATOR.
 2. WEATHERIZED COVER WITH CLEAR VIEWING WINDOW.
 3. FOR ACCESS TO MANUAL OVERRIDE LOOSEN (2) CAPTIVE SCREWS.

Fairview Microwave
 an INFINIT@ brand

NOTES:
 1. UNLESS OTHERWISE SPECIFIED ALL DIMENSIONS ARE NOMINAL.
 2. ALL SPECIFICATIONS ARE SUBJECT TO CHANGE WITHOUT NOTICE AT ANY TIME.
 3. DIMENSIONS ARE IN INCHES [mm].

TITLE				
	DWG NO	CAGE CODE		
	FMWGS6034	3FKR5		

CAD FILE	07/26/19	SHEET	1 OF 2	SCALE	N/A	SIZE	A	7361
----------	----------	-------	--------	-------	-----	------	---	------