

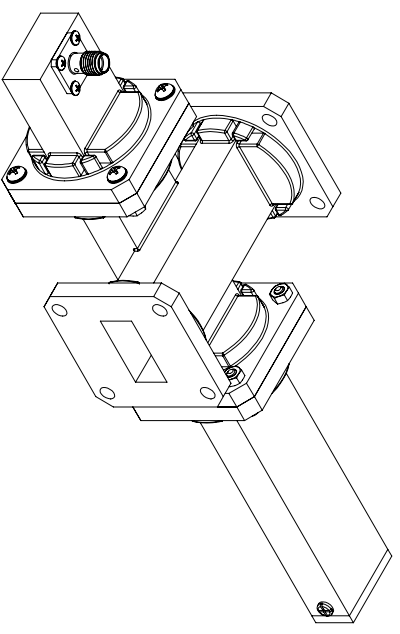
STANDARD TOLERANCES

.X ±0.2

.XX ±0.01

.XXX ±0.005

\*STANDARD TOLERANCES APPLY ONLY TO DIMENSIONS IN INCHES



# FAIRVIEW MICROWAVE INC.

ALLEN, TX 75013 WWW.FAIRVIEWMICROWAVE.COM

NOTES:  
 1. UNLESS OTHERWISE SPECIFIED ALL DIMENSIONS ARE NOMINAL.  
 2. ALL SPECIFICATIONS ARE SUBJECT TO CHANGE WITHOUT NOTICE AT ANY TIME.  
 3. DIMENSIONS ARE IN INCHES [mm].

|          |        |           |        |           |      |
|----------|--------|-----------|--------|-----------|------|
| TITLE    |        | DWG NO    |        | CAGE CODE |      |
|          |        | FMWCT1068 |        | 3FKR5     |      |
| CAD FILE | 062717 | SHEET     | 1 OF 1 | SCALE     | N/A  |
|          |        | SIZE      | A      |           | 9999 |