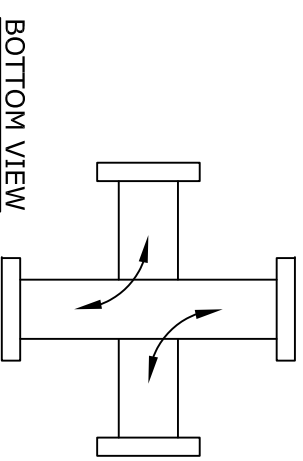
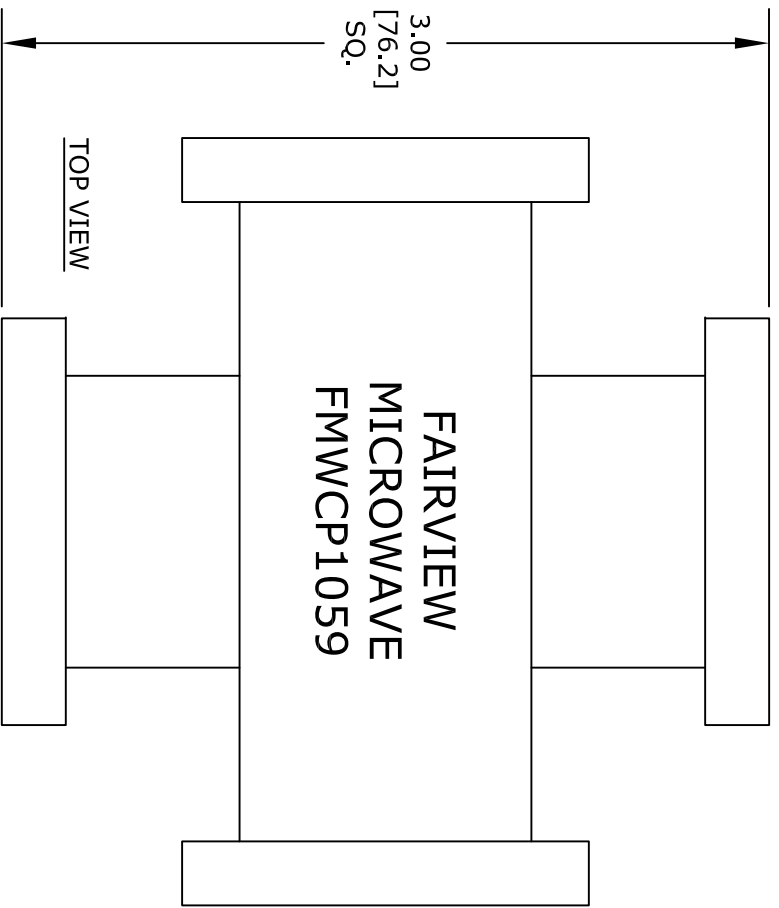
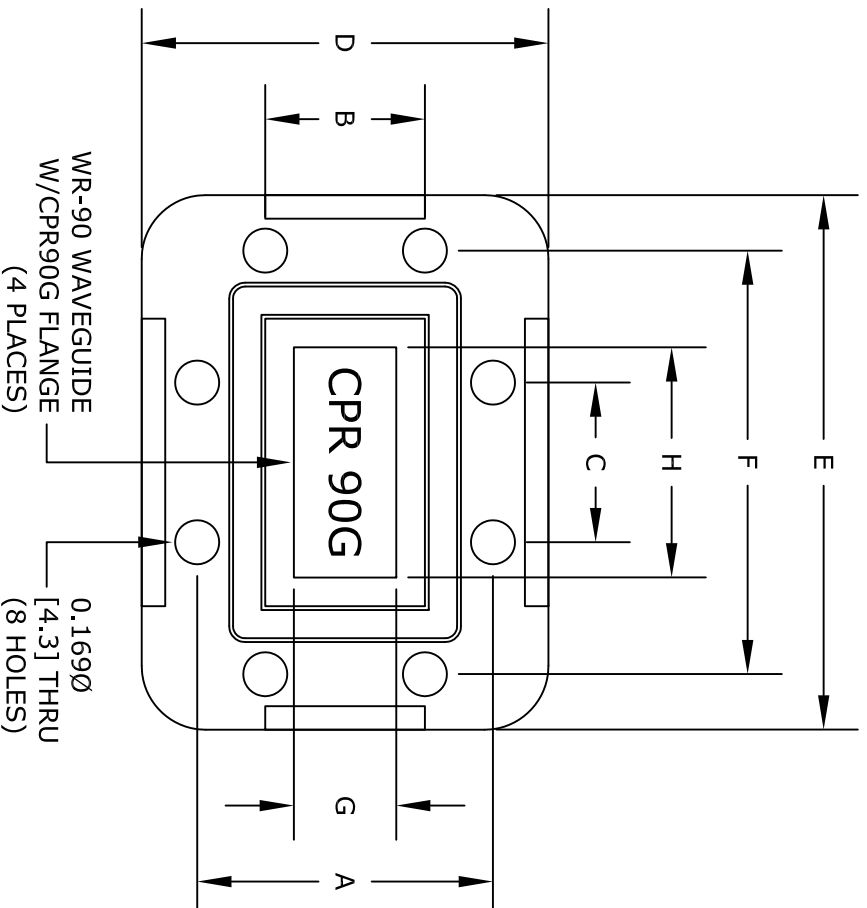


CPR 90G	Inches	mm
Dimension		
A	1.156	29.36
B	0.624	15.84
C	0.624	15.84
D	1.590	40.39
E	2.090	53.09
F	1.656	42.06
G	0.400	10.16
H	0.900	22.86



FAIRVIEW MICROWAVE INC.
 ALLEN, TX 75013 WWW.FAIRVIEWMICROWAVE.COM

NOTES:
 1. UNLESS OTHERWISE SPECIFIED ALL DIMENSIONS ARE NOMINAL.
 2. ALL SPECIFICATIONS ARE SUBJECT TO CHANGE WITHOUT NOTICE AT ANY TIME.
 3. DIMENSIONS ARE IN INCHES [mm].

TITLE		DWG NO		CAGE CODE	
		FMW/CP1059		3FKR5	
CAD FILE	051116	SHEET		SCALE	N/A
				SIZE	A
					2233