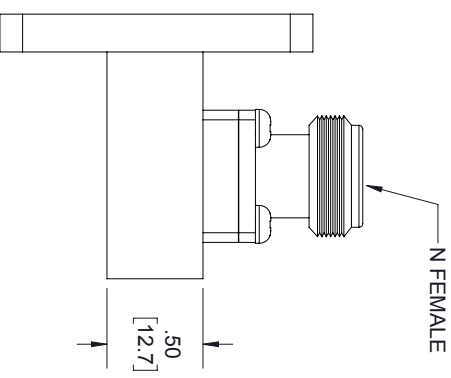
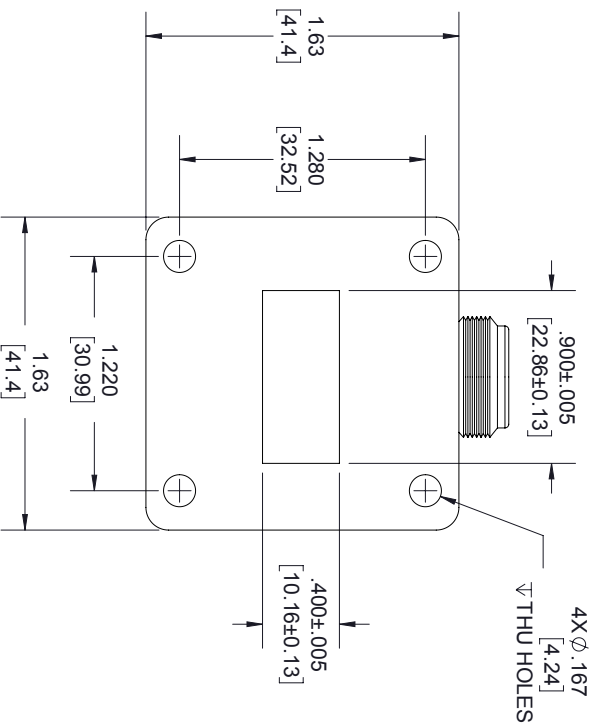
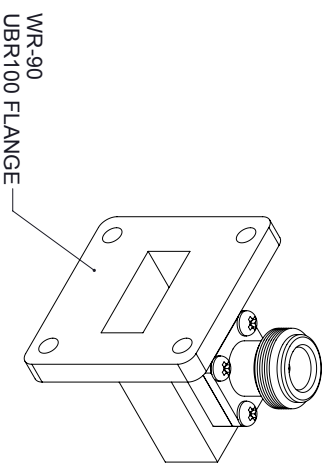
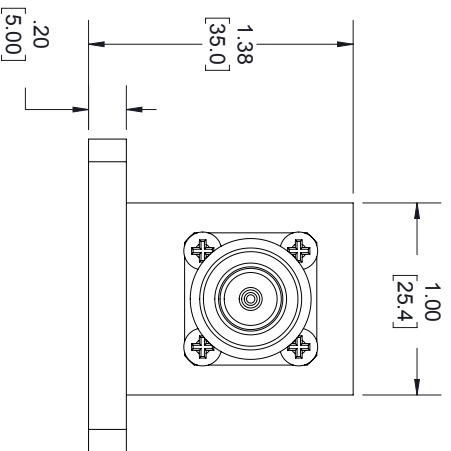


REVISIONS			
REV.	DESCRIPTION	DATE	APPROVED
A	INITIAL RELEASE	05/05/2020	SPONG



LABEL:

FAIRVIEW MICROWAVE
FMWCA1092
D/C: YYYYW

THESE COMMODITIES, TECHNOLOGY OR SOFTWARE WERE EXPORTED FROM THE UNITED STATES IN ACCORDANCE WITH THE EXPORT ADMINISTRATION REGULATIONS, DIVERSION CONTRARY TO U.S. LAW PROHIBITED.



TITLE

UNLESS OTHERWISE SPECIFIED LEADING DIMENSIONS ARE INCHES DIMENSIONS IN [] ARE MILLIMETERS			
TOLERANCES:		CABLE LENGTH (L) TOLERANCES:	
X = ±.2 [5.08]	FRACTIONS ±.1/32	L ≤ 12 [305]	±.125/-.0
XX = ±.02 [51]		12 [305] < L ≤ 60 [1524]	±.2 [51] /-.0
XXX = ±.005 [13]	ANGLES ± 1°	60 [1524] < L ≤ 120 [3048]	±.4 [102] /-.0
		120 [3048] < L ≤ 300 [7620]	±.6 [152] /-.0
		300 [7620] < L	±.5%L /-.0
THIRD-ANGLE PROJECTION			
THE INFORMATION AND DESIGN IN THIS DOCUMENT IS THE PROPERTY OF FAIRVIEW MICROWAVE CORPORATION. ALL RIGHTS RESERVED.			
SCALE	SHEET	OF	REV
N/A	1	1	A
SIZE	GAGE CODE	DRAWN BY	ITEM NO.
A	3FKRS	BPUCHASKI	FMWCA1092
ALL DIMENSIONS SHOWN ARE FOR REFERENCE ONLY.			