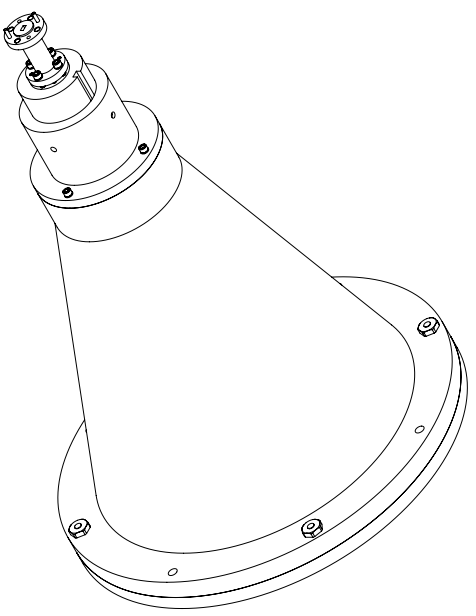


STANDARD TOLERANCES  
.X ±0.2  
.XX ±0.01  
.XXX ±0.005

\*STANDARD TOLERANCES APPLY ONLY TO DIMENSIONS IN INCHES



**Fairview Microwave**  
RF COMPONENTS ON DEMAND. *Done!*

NOTES:  
1. UNLESS OTHERWISE SPECIFIED ALL DIMENSIONS ARE NOMINAL.  
2. ALL SPECIFICATIONS ARE SUBJECT TO CHANGE WITHOUT NOTICE AT ANY TIME.  
3. DIMENSIONS ARE IN INCHES [mm].

TITLE				
DWG NO	FMWMAN1082	CAGE CODE	3FKR5	
CAD FILE	02/22/19	SHEET	1 OF 1	SCALE N/A
		SIZE	A	7361

DWG NO	FMWMAN1082	CAGE CODE	3FKR5	
CAD FILE	02/22/19	SHEET	1 OF 1	SCALE N/A
		SIZE	A	7361