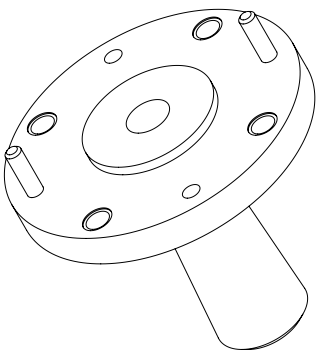
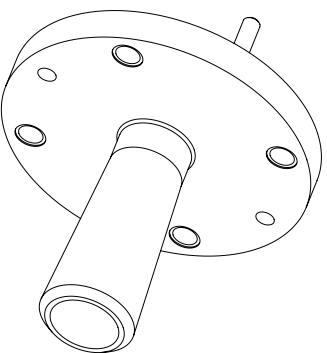


STANDARD TOLERANCES  
 .X ±0.2  
 .XX ±0.01  
 .XXX ±0.005

\*STANDARD TOLERANCES APPLY  
 ONLY TO DIMENSIONS IN INCHES



**Fairview Microwave**  
 RF COMPONENTS ON DEMAND. *Done!*

NOTES:  
 1. UNLESS OTHERWISE SPECIFIED ALL DIMENSIONS ARE NOMINAL.  
 2. ALL SPECIFICATIONS ARE SUBJECT TO CHANGE WITHOUT NOTICE AT ANY TIME.  
 3. DIMENSIONS ARE IN INCHES [mm].

TITLE		DWG NO		CAGE CODE	
		FMWMAN1033		3FKR5	
CAD FILE	02/22/19	SHEET	1 OF 1	SCALE	N/A
				SIZE	A
					7361