

UNLESS OTHERWISE SPECIFIED DIMENSIONS ARE IN INCHES. TOLERANCES ARE:

DECIMALS .XX ± .03 (0.76)	ANGLES ±1°
FRACTIONS .XXX ± .010 (0.254)	FRACTIONS ±1/16

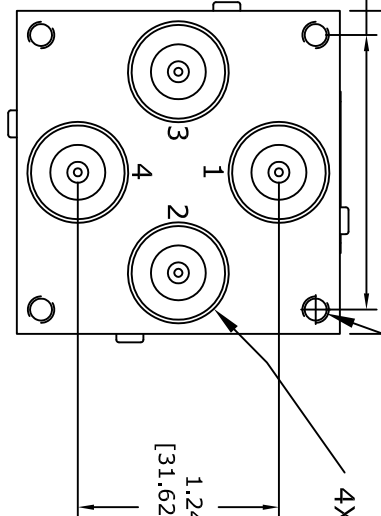
HOLE DIAMETER	TOLERANCE
.0135 TO .125 (0.343 TO 3.175)	+ .004 TO -.001 (+.0102 TO -.0025)
.126 TO .250 (3.200 TO 6.350)	+ .005 TO -.001 (+.0127 TO -.0025)
.251 TO .500 (6.375 TO 12.700)	+ .006 TO -.001 (+.0152 TO -.0025)
.501 TO .750 (12.725 TO 19.050)	+ .008 TO -.001 (+.0203 TO -.0025)
.751 TO 1.000 (19.075 TO 25.400)	+ .010 TO -.001 (+.0254 TO -.0025)
1.001 TO 2.000 (25.425 TO 50.800)	+ .012 TO -.001 (+.0305 TO -.0025)

* THESE DIMENSIONS AND TOLERANCES SUPERSEDE NOTE # 1 ON TITLE BLOCK.

FAIRVIEW MICROWAVE INC.

ALLEN, TX 75013 WWW.FAIRVIEWMICROWAVE.COM

NOTES:
 1. UNLESS OTHERWISE SPECIFIED ALL DIMENSIONS ARE NOMINAL.
 2. ALL SPECIFICATIONS ARE SUBJECT TO CHANGE WITHOUT NOTICE AT ANY TIME.
 3. DIMENSIONS ARE IN INCHES [mm].



RF STATUS	
RF	FAILSAFE
1-3, 2-4	DE-ENERGIZED
1-2, 3-4	ENERGIZED
	LATCHING
	POSITION 1
	POSITION 2

TITLE	DWG NO	FMSW6176	CAGE CODE	3FKR5
CAD FILE	042815	SHEET	SCALE	N/A
			SIZE	A
				2233