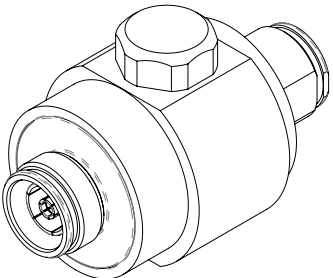
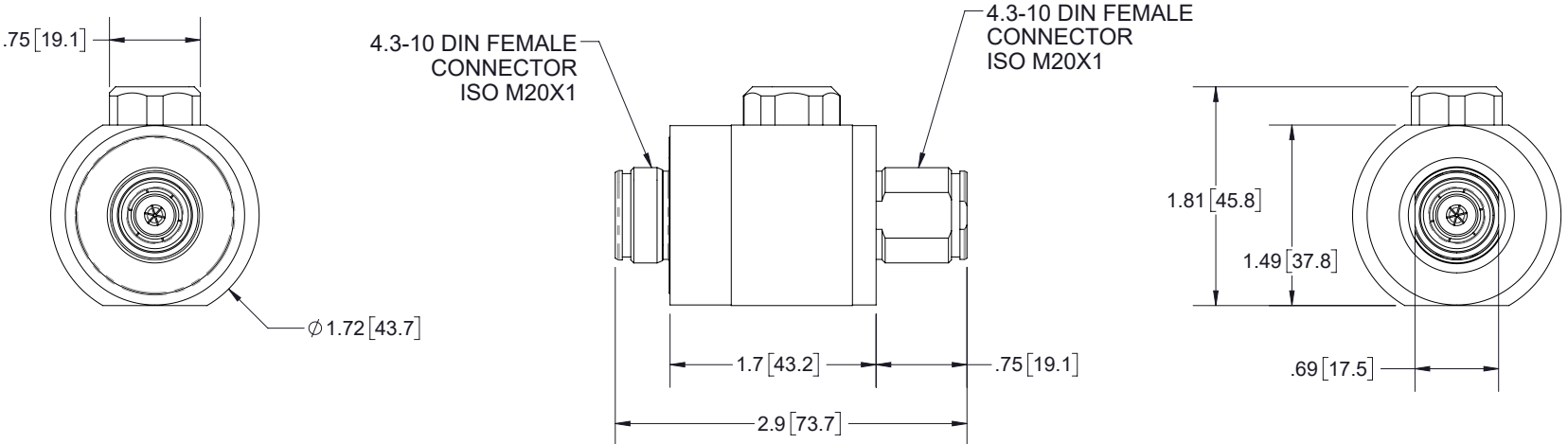


REVISIONS			
REV.	DESCRIPTION	DATE	APPROVED
A	INITIAL RELEASE	9/9/19	DWR



HARDWARE KIT CONTENTS:	
QTY	DESCRIPTION
1	NUT M20 X 1 SS
1	WASHER .82ID FLAT SS
1	SILICONE O-RING 019
1	RING TERM 6AWG .82ID

UNLESS OTHERWISE SPECIFIED
LEADING DIMENSIONS ARE INCHES
DIMENSIONS IN [] ARE MILLIMETERS

TOLERANCES:

X=± .2 [5.08]	FRACTIONS ± 1/32
.XX=± .01 [.25]	ANGLES ± 1°
.XXX=± .005 [.13]	

ALL DIMENSIONS SHOWN
ARE FOR REFERENCE ONLY.

THIRD-ANGLE PROJECTION

Fairview Microwave
an INFINIT@ brand

301 LEORA Ln., SUITE 100, LEWISVILLE, TX 75056
Phone: 1.800.715.4396 | 1.972.649.6678
Fax: 1.972.649.6689
www.fairviewmicrowave.com
e-mail: sales@fairviewmicrowave.com

SIZE	CAGE	DRAWN BY	PART NUMBER
A	3FKR5	DPM	FMSP1061

THE INFORMATION AND DESIGN IN THIS DOCUMENT IS THE PROPERTY OF FAIRVIEW MICROWAVE, INC. ALL RIGHTS RESERVED.

SHEET 1 OF 1

SCALE 2:3

REV	A
-----	---

THESE COMMODITIES, TECHNOLOGY OR SOFTWARE WERE EXPORTED FROM THE UNITED STATES IN ACCORDANCE WITH THE EXPORT ADMINISTRATION REGULATIONS. DIVERSION CONTRARY TO U.S. LAW PROHIBITED.