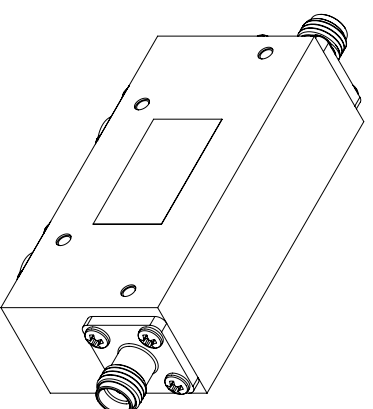
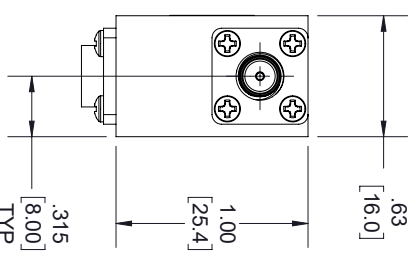
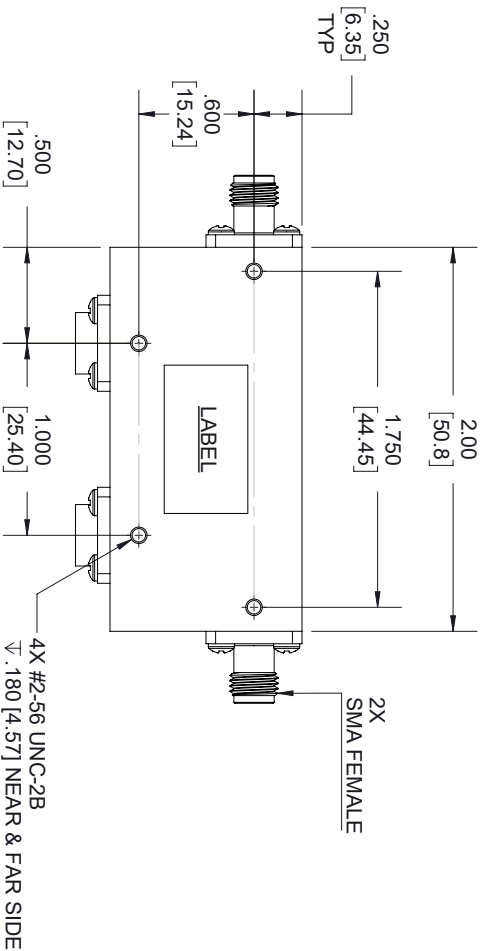


REVISIONS			
REV.	DESCRIPTION	DATE	APPROVED
A	PCR PER31R1019	3/3/2020	J.GARCIA



1	FMR1019
2	4.00 - 8.00 GHz DC WVVVY

LABEL:



THESE COMMODITIES, TECHNOLOGY OR SOFTWARE WERE EXPORTED FROM THE UNITED STATES IN ACCORDANCE WITH THE EXPORT ADMINISTRATION REGULATIONS, DIVERSION CONTRARY TO U.S. LAW PROHIBITED.



THIRD-ANGLE PROJECTION

UNLESS OTHERWISE SPECIFIED LEADING DIMENSIONS ARE INCHES
DIMENSIONS IN [] ARE MILLIMETERS

TOLERANCES:
CABLE LENGTH (L) TOLERANCES:
L ≤ 12 (305) = +1 [25] / -0
12 (305) < L ≤ 60 (1524) = +2 [51] / -0
60 (1524) < L ≤ 120 (3048) = +4 [102] / -0
120 (3048) < L ≤ 300 (7620) = +6 [152] / -0
300 (7620) < L = +5%L / -0

THE INFORMATION AND DESIGN IN THIS DOCUMENT IS THE PROPERTY OF FAIRVIEW MICROWAVE CORPORATION. ALL RIGHTS RESERVED.

ALL DIMENSIONS SHOWN ARE FOR REFERENCE ONLY.

SCALE N/A

SIZE	GAGE CODE	DRAWN BY	ITEM NO.	REV
A	3FKR5	K.DANG	FMR1019	A