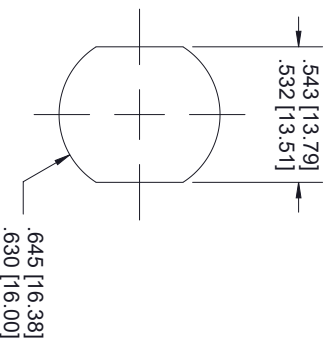


FMCN1180  
N FEMALE  
BULKHEAD

FMCN1186  
N MALE  
RIGHT ANGLE



MOUNTING HOLE  
(2X)

NOTES:

1. ALL BLACK HEAT SHRINK WITH WHITE MARKINGS.
2. TOP LAYER: SUMITUBE W3B2 (4X) - SIZE 24/6.
3. BOTTOM LAYER: M23053/4-304-0.

STANDARD TOLERANCES  
.X ±0.2  
.XX ±0.01  
.XXX ±0.005

\*STANDARD TOLERANCES APPLY  
ONLY TO DIMENSIONS IN INCHES

**Fairview Microwave**  
RF COMPONENTS ON DEMAND. *Done!*

NOTES:  
1. UNLESS OTHERWISE SPECIFIED ALL DIMENSIONS ARE NOMINAL.  
2. ALL SPECIFICATIONS ARE SUBJECT TO CHANGE WITHOUT NOTICE AT ANY TIME.  
3. DIMENSIONS ARE IN INCHES [mm].

TITLE		DWG NO		CAGE CODE	
		FMHR0251		3FKR5	
CAD FILE	02/11/19	SHEET	1 OF 1	SCALE	N/A
				SIZE	A
					7361