

FMCN1180
N FEMALE
BULKHEAD

FMCN1180
N FEMALE
BULKHEAD

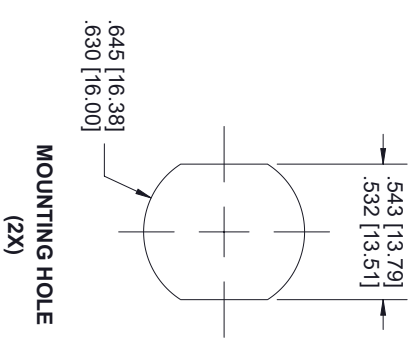
STANDARD TOLERANCES
.X ±0.2
.XX ±0.01
.XXX ±0.005

- NOTES:
1. ALL BLACK HEAT SHRINK WITH WHITE MARKINGS.
 2. TOP LAYER: SUMITUBE W3B2 (4X) - SIZE 24/6.
 3. BOTTOM LAYER: M23053/4-304-0.

*STANDARD TOLERANCES APPLY ONLY TO DIMENSIONS IN INCHES

Fairview Microwave
RF COMPONENTS ON DEMAND. *Done!*

NOTES:
1. UNLESS OTHERWISE SPECIFIED ALL DIMENSIONS ARE NOMINAL.
2. ALL SPECIFICATIONS ARE SUBJECT TO CHANGE WITHOUT NOTICE AT ANY TIME.
3. DIMENSIONS ARE IN INCHES [mm].



TITLE	
DWG NO	

FMHHR0250		CAGE CODE		3FKR5	
CAD FILE	02/08/19	SHEET	1 OF 1	SCALE	N/A
				SIZE	A
					7361