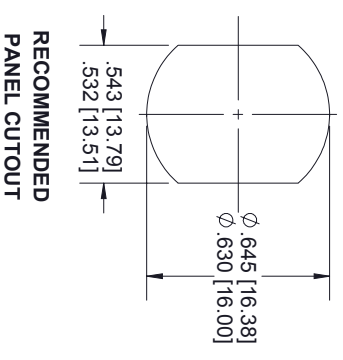


RECOMMENDED  
PANEL CUTOUT



RECOMMENDED  
PANEL CUTOUT

STANDARD TOLERANCES  
.X ±0.2  
.XX ±0.01  
.XXX ±0.005

\*STANDARD TOLERANCES APPLY ONLY TO DIMENSIONS IN INCHES

- NOTES:
1. ALL BLACK HEAT SHRINK WITH WHITE MARKINGS.
  2. TOP LAYER: SUMITUBE W3B2 (4X) - SIZE 12/3
  3. BOTTOM LAYER: M23053/4-303-0.

**Fairview Microwave**  
RF COMPONENTS ON DEMAND. *Done!*

NOTES:  
1. UNLESS OTHERWISE SPECIFIED ALL DIMENSIONS ARE NOMINAL.  
2. ALL SPECIFICATIONS ARE SUBJECT TO CHANGE WITHOUT NOTICE AT ANY TIME.  
3. DIMENSIONS ARE IN INCHES [mm].

TITLE		DWG NO		CAGE CODE	
		FMHR0195		3FKR5	
CAD FILE	02/19/19	SHEET	1 OF 1	SCALE	N/A
				SIZE	A
					CN2379