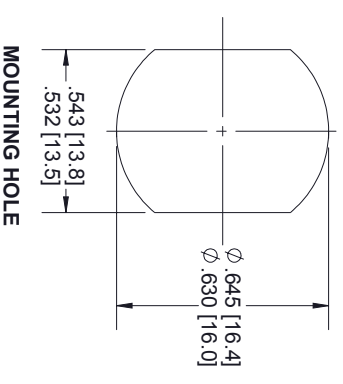


MOUNTING HOLE

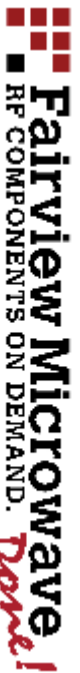


MOUNTING HOLE

**STANDARD TOLERANCES**  
 .X ±0.2  
 .XX ±0.01  
 .XXX ±0.005

- NOTES:
1. ALL BLACK HEAT SHRINK WITH WHITE MARKINGS.
  2. TOP LAYER: SUMITUBE W3B2 (4X) - SIZE 12/3.
  3. BOTTOM LAYER: M23053/4-303-0
  - TOP LAYER: SUMITUBE W3B2 (4X) - SIZE 24/6.
  - BOTTOM LAYER: M23053/4-304-0

\*STANDARD TOLERANCES APPLY ONLY TO DIMENSIONS IN INCHES



NOTES:  
 1. UNLESS OTHERWISE SPECIFIED ALL DIMENSIONS ARE NOMINAL.  
 2. ALL SPECIFICATIONS ARE SUBJECT TO CHANGE WITHOUT NOTICE AT ANY TIME.  
 3. DIMENSIONS ARE IN INCHES [mm].

TITLE		DWG NO		CAGE CODE	
FMHR0168		FMHR0168		3FKR5	
CAD FILE 02/18/19	SHEET 1 OF 1	SCALE N/A	SIZE A	CN2379	