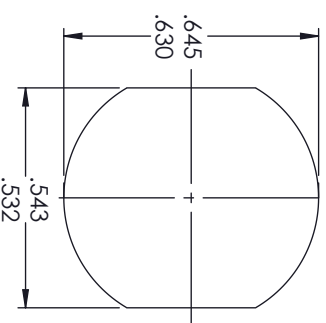


M39012/16-0014
BNC MALE

M39012/03-0503
N FEMALE
BULKHEAD



MOUNTING HOLE

STANDARD TOLERANCES
.X ±0.2
.XX ±0.01
.XXX ±0.005

*STANDARD TOLERANCES APPLY ONLY TO DIMENSIONS IN INCHES

- NOTES:
1. BLACK HEAT SHRINK WITH WHITE MARKINGS 3 PLACES.

Fairview Microwave
RF COMPONENTS ON DEMAND. *Done!*

NOTES:
1. UNLESS OTHERWISE SPECIFIED ALL DIMENSIONS ARE NOMINAL.
2. ALL SPECIFICATIONS ARE SUBJECT TO CHANGE WITHOUT NOTICE AT ANY TIME.
3. DIMENSIONS ARE IN INCHES [mm].

TITLE	DWG NO		CAGE CODE	
	FMHRR0060		3FKR5	
CAD FILE 11/16/18	SHEET 1 OF 1	SCALE N/A	SIZE A	CN2379