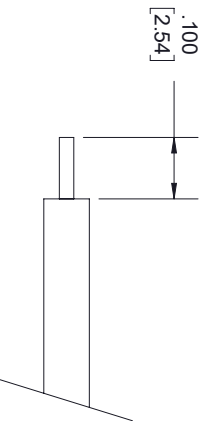
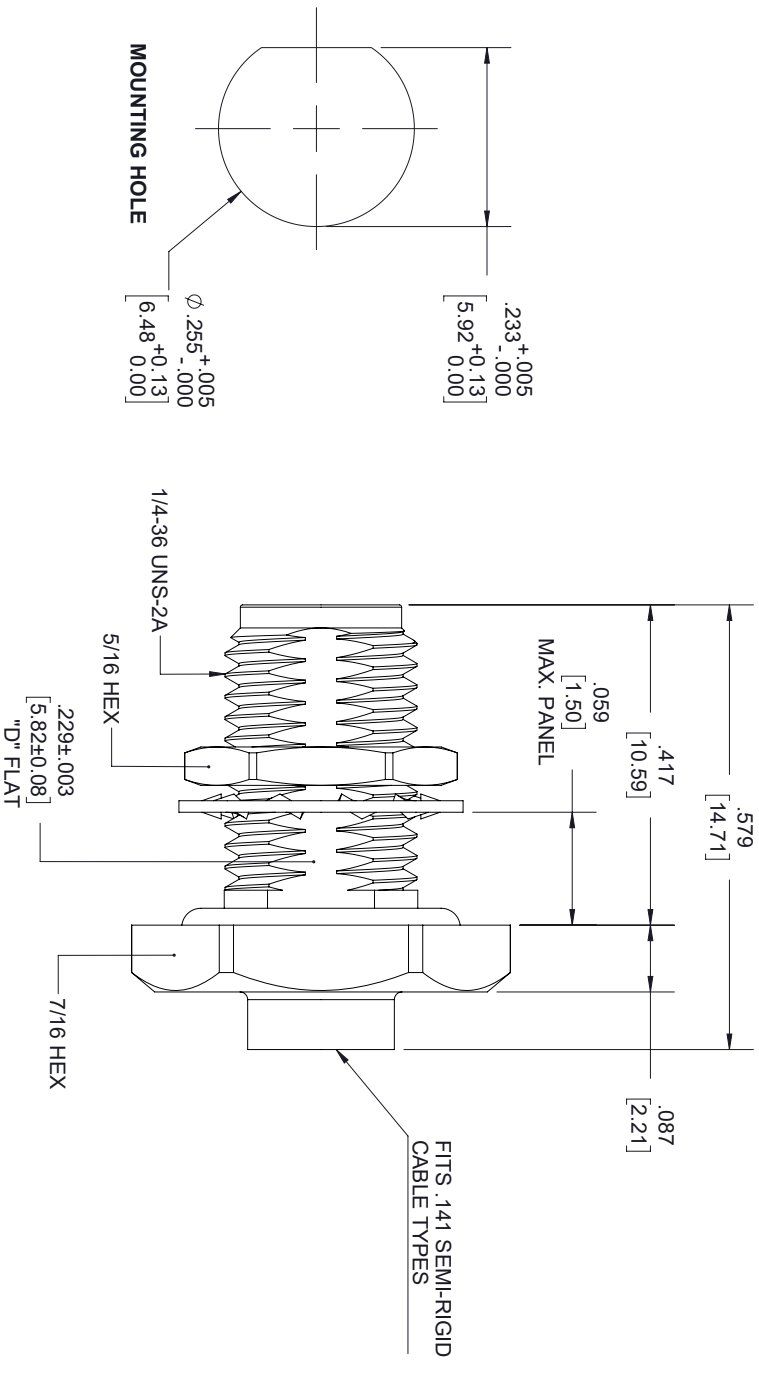
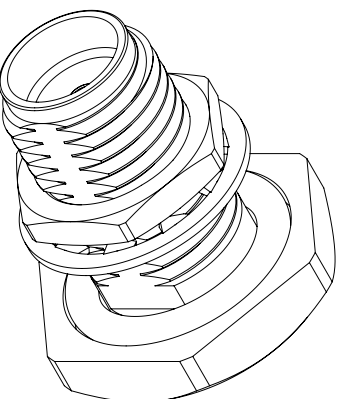


REVISIONS			
REV.	DESCRIPTION	DATE	APPROVED
A	FOR PE44690	12/31/2019	S ELLIS



STRIPPING DIMENSIONS

- NOTES:
- CABLE ATTACHMENT:
 - OUTER: SOLDER.
 - INNER: SOLDER.



THESE COMMODITIES, TECHNOLOGY OR SOFTWARE WERE EXPORTED FROM THE UNITED STATES IN ACCORDANCE WITH THE EXPORT ADMINISTRATION REGULATIONS, DIVERSION CONTRARY TO U.S. LAW PROHIBITED.



UNLESS OTHERWISE SPECIFIED LEADING DIMENSIONS ARE INCHES		THIRD-ANGLE PROJECTION	
DIMENSIONS IN [] ARE MILLIMETERS			
TOLERANCES:		THE INFORMATION AND DESIGN IN THIS DOCUMENT IS THE PROPERTY OF FAIRVIEW MICROWAVE CORPORATION. ALL RIGHTS RESERVED.	
CABLE LENGTH (L) TOLERANCES:		SHEET 1 OF 1	
X = ±.2 [5.08]	FRACTIONS ±.1/32	L ≤ 12 [305] = +1 [25] / -0	SCALE N/A
XX = ±.02 [51]	±.1/32	12 [305] < L ≤ 60 [1524] = +2 [51] / -0	REV A
XXX = ±.005 [13]	ANGLES ± 1°	60 [1524] < L ≤ 120 [3048] = +4 [102] / -0	ITEM NO. FMCN1595
		120 [3048] < L ≤ 300 [7620] = +6 [152] / -0	DRAWN BY K.DANG
		300 [7620] < L = +5%L / -0	GAGE CODE 3FKRS
ALL DIMENSIONS SHOWN ARE FOR REFERENCE ONLY.		SIZE A	