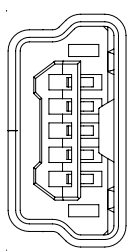
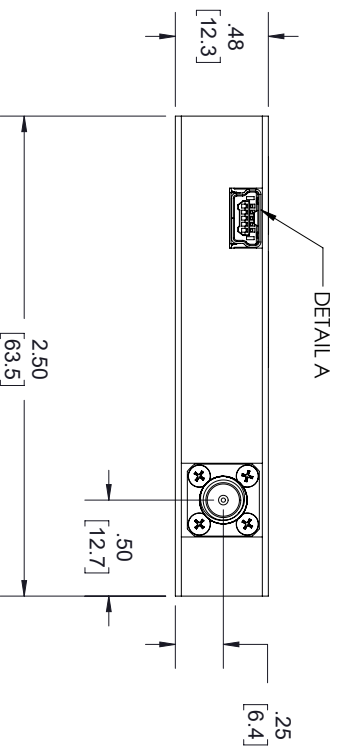
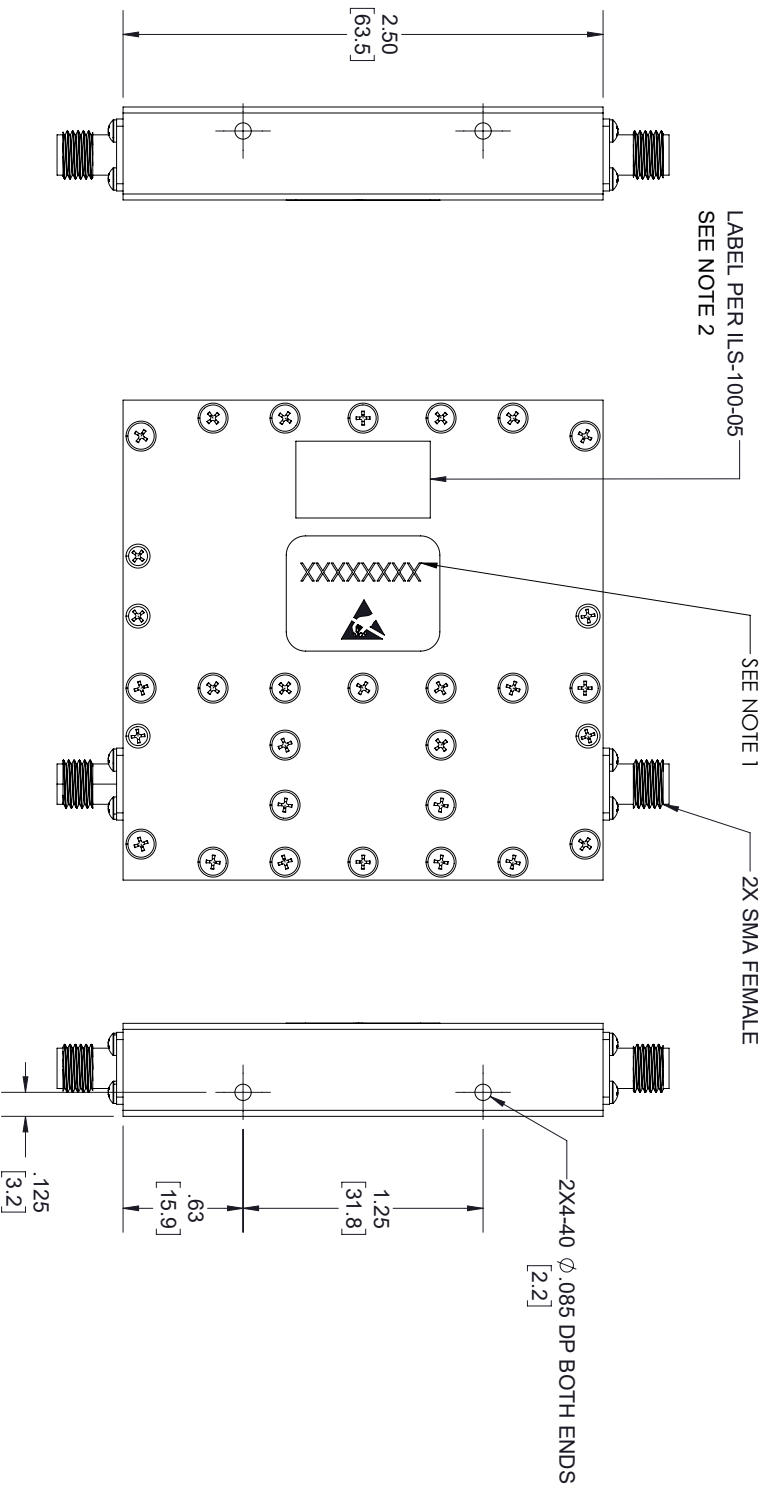


REVISIONS			
REV.	DESCRIPTION	DATE	APPROVED
A	INITIAL RELEASE	14-08-2021	TGALLA



- NOTES:
- SERIAL NUMBER AND DATE CODE ARE COMBINED. EX: 202008280001.
 - LABEL PER ILS-100-05, FOR INTERNAL REFERENCE ONLY. LABEL LOCATION SHOULD BE SAME AS SHOWN.

PIN	COLUMN
1	+5VDC
2	D-
3	D+
4	NO CONNECTION
5	GROUND

THESE COMMODITIES, TECHNOLOGY OR SOFTWARE WERE EXPORTED FROM THE UNITED STATES IN ACCORDANCE WITH THE EXPORT ADMINISTRATION REGULATIONS, DIVERSION CONTRARY TO U.S. LAW PROHIBITED.



TITLE		UNLESS OTHERWISE SPECIFIED LEADING DIMENSIONS ARE INCHES		THIRD-ANGLE PROJECTION	
SIZE		DIMENSIONS IN [] ARE MILLIMETERS		THE INFORMATION AND DESIGN IN THIS DOCUMENT IS THE PROPERTY OF FAIRVIEW MICROWAVE CORPORATION. ALL RIGHTS RESERVED.	
A	CAGE CODE	TOLERANCES:		SCALE	
3FKRS	3FKRS	CABLE LENGTH (L) TOLERANCES:		1	
DRAWN BY		L ± 12 B065 = +1 [25] / -0		N/A	
MVEERAPPAN		12 [305] < L ≤ 60 [1524] = +2 [51] / -0		OF	
ITEM NO.		60 [1524] < L ≤ 120 [3048] = +4 [102] / -0		1	
FMAT8009		120 [3048] < L ≤ 300 [7620] = +6 [152] / -0		1	
REV		300 [7620] < L = +5%L / -0		1	
A					