

6

5

4

3

2

1

REVISION

ZONE	REV	DESCRIPTION	DATE	CHANGED BY	APPROVED
	A	INITIAL RELEASE	08/10/2023	DMAY	KHIETPAS

F

F

E

E

D

D

C

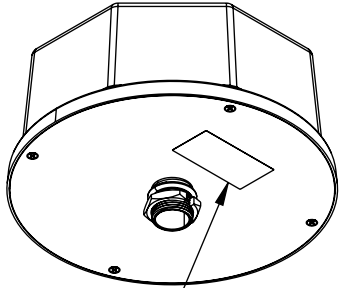
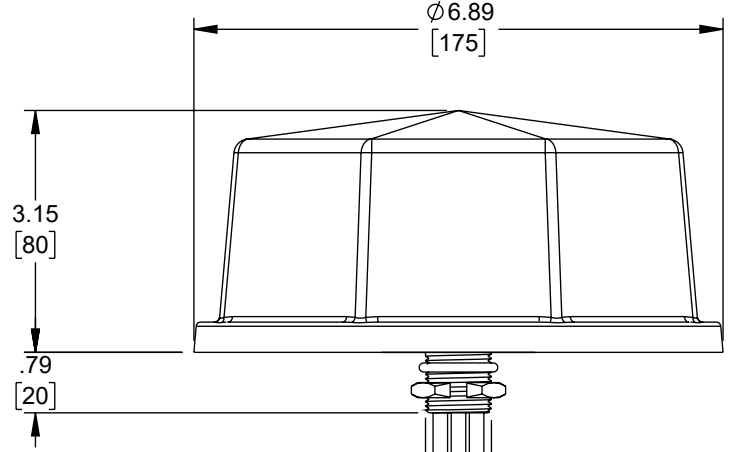
C

B

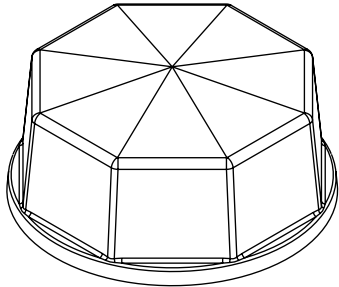
B

A

A



LABEL 1
SEE NOTE 1



195 ± 1 [4953 ± 25.4]
RG174 CABLE

GPS
TNC MALE
CONNECTOR

CELLULAR
SMA MALE
CONNECTOR

WI-FI
REVERSE POLARITY
SMA MALE
CONNECTOR

4X HEAT SHRINK

5X LABEL 2
SEE NOTE 2

M22 X 1.5

4X 195 ± 1 [4953 ± 25.4]
RG58 CABLE

NOTES:

- LABEL 1 PER ILS-100-03 (FOR INTERNAL REFERENCE ONLY). LABEL LOCATION FOR REFERENCE ONLY.
- LABEL 2 PLACEMENT: 3 ± .25 INCHES FROM THE END OF CONNECTOR.

UNLESS OTHERWISE SPECIFIED LEADING DIMENSIONS ARE INCHES DIMENSIONS IN [] ARE MILLIMETERS

TOLERANCES:

.X = ±.2 [5]	FRACTIONS ± 1/32
.XX = ±.02 [0.5]	ANGLES ± 1°
.XXX = ±.005 [0.13]	

CABLE LENGTH TOLERANCES:

>12 [305]	≤12 [305]	= +1 [25] / -0
>60 [1524]	≤60 [1524]	= +2 [51] / -0
>80 [2032]	≤80 [2032]	= +4 [102] / -0
>120 [3048]	≤120 [3048]	= +6 [152] / -0
>300 [7620]	≤300 [7620]	= +5% / -0

ALL DIMENSIONS ARE FOR REFERENCE ONLY AND SUBJECT TO CHANGE WITHOUT NOTICE. UN-DIMENSIONED/NON-CRITICAL FEATURES MAY VARY IN SIZE AND LOCATION. COLORS MAY VARY.

Fairview Microwave
an INFINIT® brand

Website: www.FairviewMicrowave.com
Phone: 1.800.715.4396 | 1.972.649.6678

INTERPRET ALL DIMENSIONS AND TOLERANCES PER ASME Y14.5

SCALE	SHEET
NONE	1 OF 1

DESCRIPTION
2 CELLULAR, 2 WI-FI, 1 GPS COMBINATION ANTENNA 2 SMA, 2 RP SMA, 1 TNC CONNECTOR WHITE

SIZE	CAGE CODE	DRAWN BY	ITEM NO.	REV
A	3FKR5	DMAY	FMANOM1121	A

THE INFORMATION CONTAINED IN THIS DRAWING IS THE SOLE PROPERTY OF INFINITE ELECTRONICS, INC. ANY REPRODUCTION IN PART OR WHOLE WITHOUT THE WRITTEN PERMISSION OF INFINITE ELECTRONICS, INC. IS PROHIBITED. THESE COMMODITIES, TECHNOLOGY OR SOFTWARE WERE EXPORTED FROM THE UNITED STATES IN ACCORDANCE WITH THE EXPORT ADMINISTRATION REGULATIONS. DIVERSION CONTRARY TO U.S. LAW PROHIBITED.

6

5

4

3

2

1