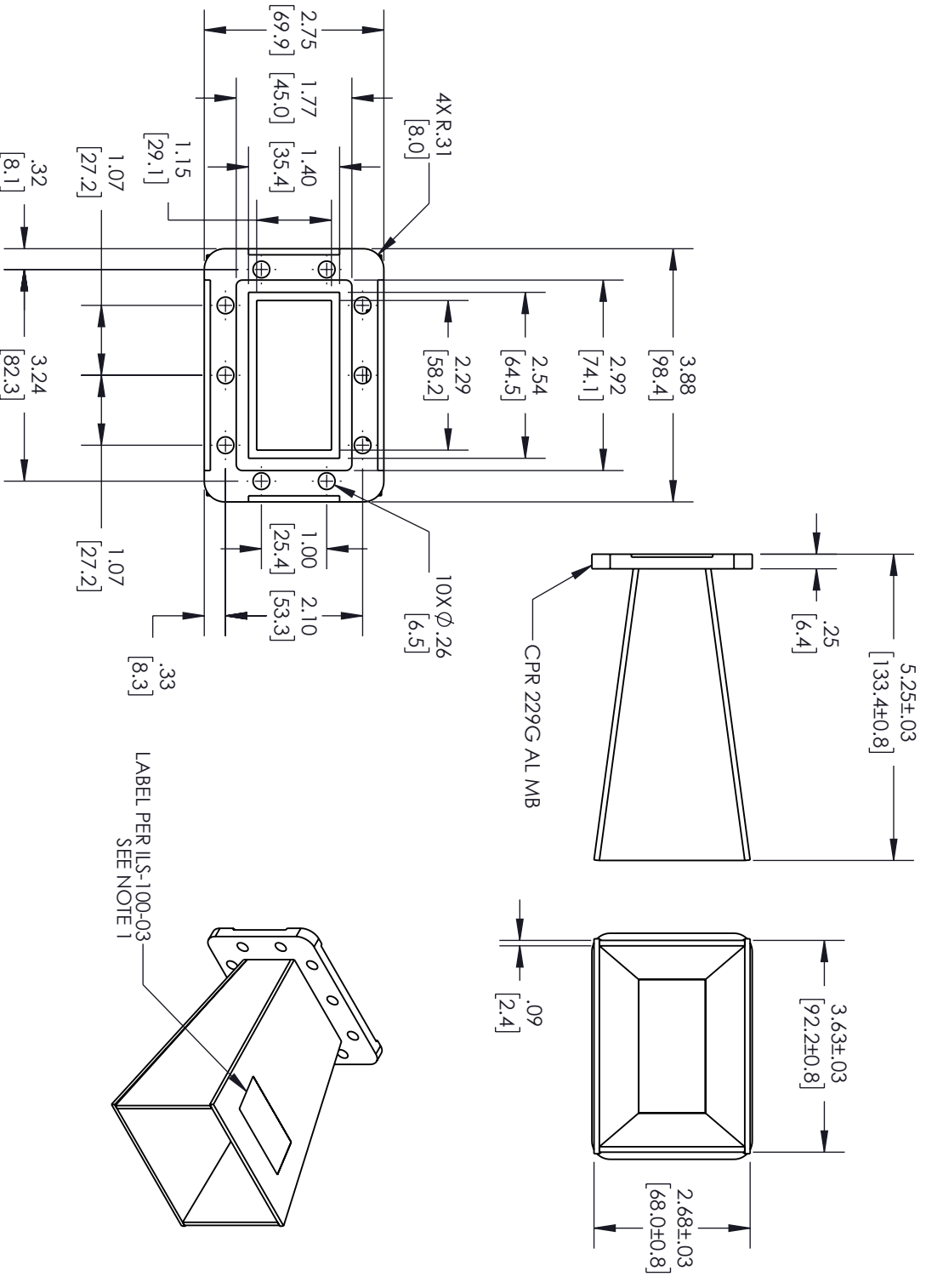


REVISIONS			
REV.	DESCRIPTION	DATE	APPROVED
A	INITIAL RELEASE	12/02/22	KHIETPAS



- NOTES:
- LABEL PER ILS-100-03 (FOR INTERNAL USE ONLY). LABEL LOCATION SHOWN IS FOR REFERENCE ONLY.

REGULATORY COMPLIANCE:
EU ROHS DIRECTIVE (MOST RECENT RELEASED VERSION)

THESE COMMODITIES, TECHNOLOGY OR SOFTWARE WERE EXPORTED FROM THE UNITED STATES IN ACCORDANCE WITH THE EXPORT ADMINISTRATION REGULATIONS, DIVERSION CONTRARY TO U.S. LAW PROHIBITED.



TITLE

UNLESS OTHERWISE SPECIFIED LEADING DIMENSIONS ARE INCHES				THIRD-ANGLE PROJECTION	
DIMENSIONS IN [] ARE MILLIMETERS					
TOLERANCES:				THE INFORMATION AND DESIGN IN THIS DOCUMENT IS THE PROPERTY OF FAIRVIEW MICROWAVE CORPORATION. ALL RIGHTS RESERVED.	
CABLE LENGTH (L) TOLERANCES:		L ≤ 12 (305) = +1 [25] / -0		SHEET 1 OF 1	
FRACTIONS		12 [305] < L ≤ 60 [1524] = +2 [51] / -0		SCALE N/A	
± 1/32		60 [1524] < L ≤ 120 [3048] = +4 [102] / -0		REV A	
ANGLES ± 1°		120 [3048] < L ≤ 300 [7620] = +6 [152] / -0		DRAWN BY VTHANGARAJ	
		300 [7620] < L = +5%L / -0		ITEM NO. FM9862B-10-CPRG	
ALL DIMENSIONS SHOWN ARE FOR REFERENCE ONLY.				REV A	
SIZE	GAGE CODE	DRAWN BY	ITEM NO.	SCALE	
A	3FKRS	VTHANGARAJ	FM9862B-10-CPRG	N/A	